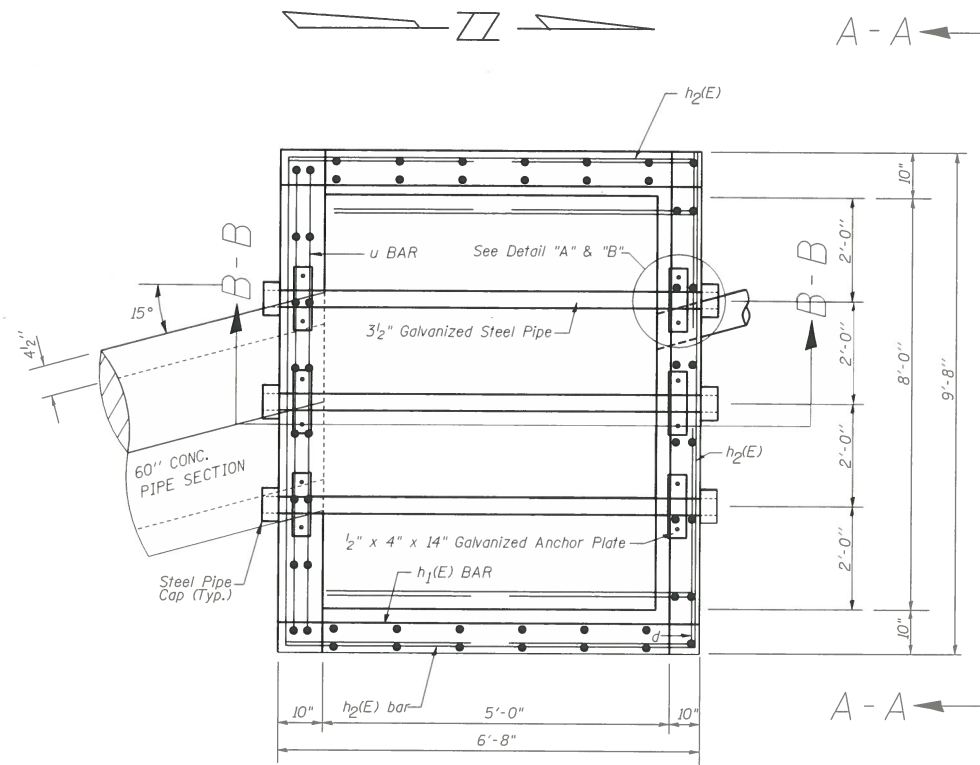
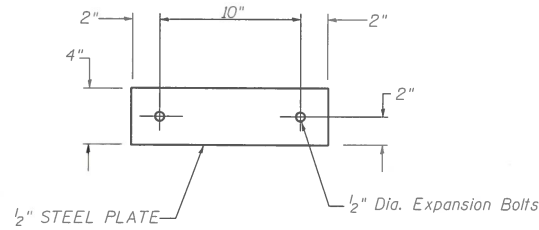


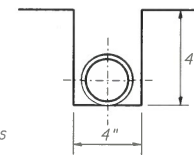
DROPBOX #1 PLAN
CANYON RD.
F.A.P. RTE 642
SECTION 104T-3
JO DAVIESS COUNTY
STA. 105 + 92.74
STR. NO. H043-C111
-05005-01A



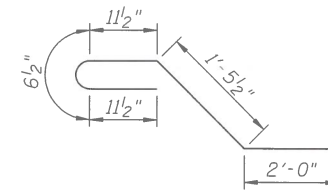
PLAN



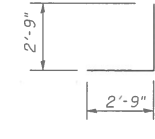
DETAIL "A"



DETAIL "B"



BAR n(E)



BAR d(E)

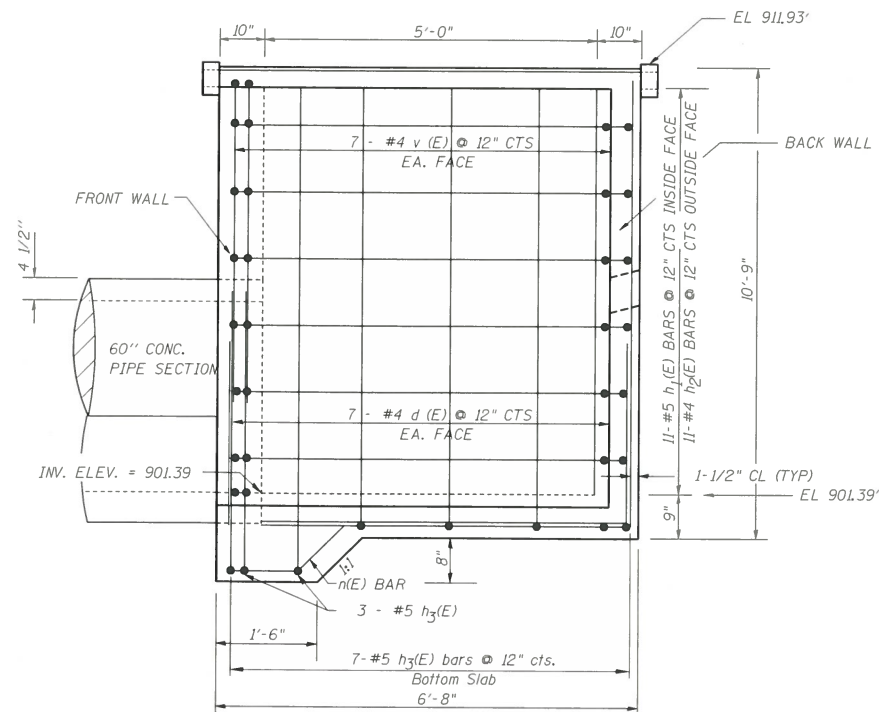
GENERAL NOTES

1. Work shall be done according to the applicable portion of 503, 508, and 542 of the standard specifications.
2. Class "si" Concrete shall be used. $f'c = 4,000$ psi. Exposed edges shall be $3/4"$.
3. The contract unit price "each" for DROPBOX NO. 1 shall include the Expansion Bolts, Galvanized Pipe, Class "si" Concrete, Reinforcement Bars, Bolts, Nuts, Washers, Steel Plates, Steps, Earth Excavation where required, and necessary grading to fit the inlet as shown in the cross sections or to the slope.
4. Reinforcement Bars shall conform to the requirements of ASTM A706, Grade 60.
5. Steel Plates shall conform to AASHTO M-183 and shall be Galvanized Conforming to AASHTO M-111.
6. Bolts, Nuts, and Washers shall be in accordance with Article 1006.08 of the Standard Specification and shall be Galvanized.
7. Contractor shall field verify Galvanized Pipe length.
8. See STD 602701 for Manhole steps.
9. Steel pipes shall conform to A.S.T.M. A-53 (Type E or S) Grade B, Schedule 40, & Shall be galvanized conforming to A.S.T.M. A-120.

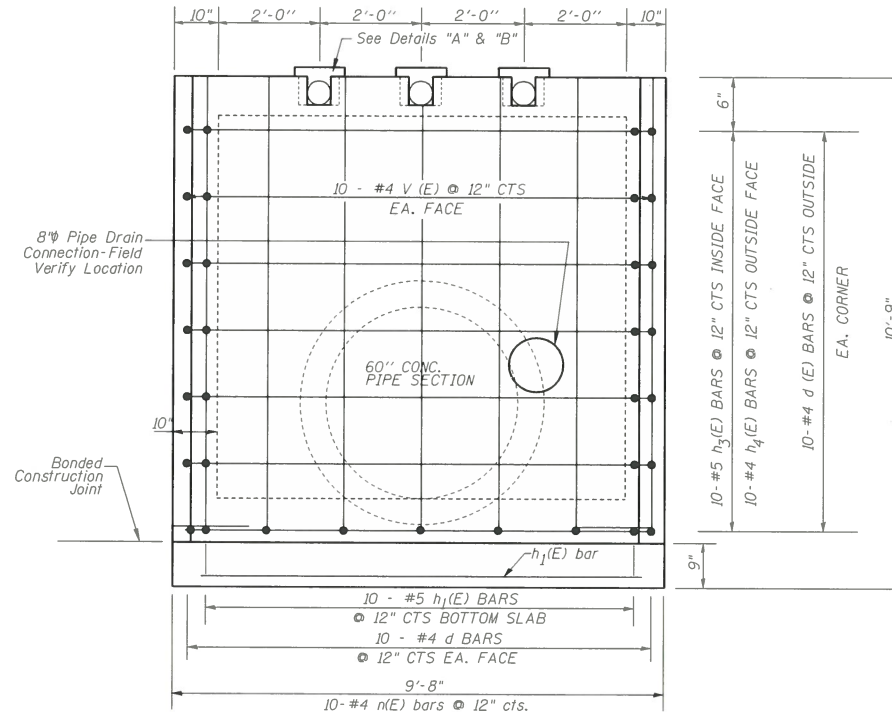
BILL OF MATERIALS
(FOR REINFORCEMENT)

BAR	SIZE	NUMBER	LENGTH	WEIGHT
d (E)	# 4	74	5' - 6"	271.88
h ₁ (E)	# 5	32	6' - 4"	211.38
h ₂ (E)	# 4	22	6' - 4"	93.07
h ₃ (E)	# 5	30	9' - 4"	292.04
h ₄ (E)	# 4	20	9' - 4"	124.69
n (E)	# 4	10	5' - 11"	39.52
v (E)	# 4	68	9' - 8"	439.10
DESCRIPTION			UNIT	QTY
Concrete Structures			Cu.Yd.	10.50
Reinforcement Bars, Epoxy Coated			Lbs.	1,472

NOTE: CUT OR ROTATE BARS IN CONFLICT WITH PIPE SECTION.



SECTION B-B



VIEW A-A

WENDLER ENGINEERING SERVICES, INC.

Illinois Professional Design
Firm No. 184-000848

For Structural Adequacy Only



Scott Brown 11/25/13

DATE
SCOTT A. BROWN
DIXON, ILLINOIS
ILLINOIS LICENSED STRUCTURAL
ENGINEER NO. 081-005981
EXPIRES 11-30-2014



USER NAME = Bryan Hartmann
WES JOB # = 2130199
PLOT SCALE = 1:0000 1/4 in.
PLOT DATE = 11/25/2013

DESIGNED - SB
DRAWN - BEH
CHECKED -
DATE - 09/13/2013

REVISED -
REVISED -
REVISED -
REVISED -

STATE OF ILLINOIS
DEPARTMENT OF TRANSPORTATION

DROPBOX #1 PLAN
STA. 105 + 92.74

SCALE: _____ SHEET NO. 1 OF 1 SHEETS STA. 105+92.74

F.A. RTE.	SECTION	COUNTY	TOTAL SHEETS	SHEET NO.
642	104T-3	JO DAVIESS	97	62
				CONTRACT NO. 64F74
FED. ROAD DIST. NO. [ILLINOIS] FED. AID PROJECT				