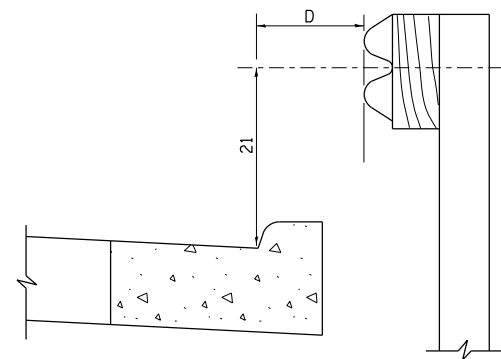
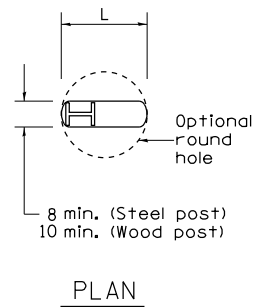


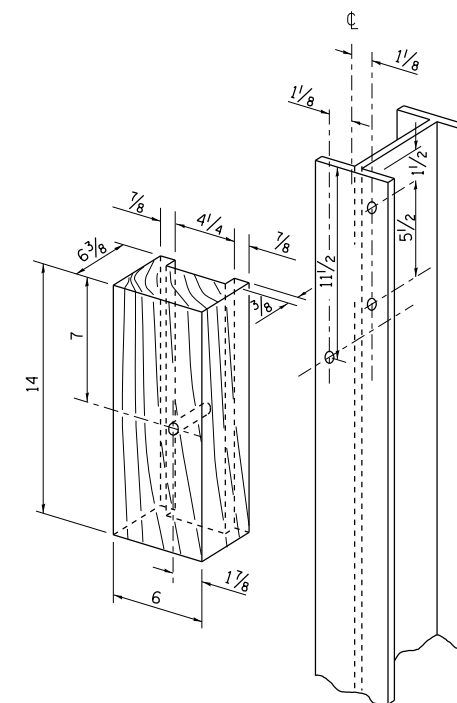
REMOVE AND REERECT STEEL PLATE BEAM GUARDRAIL



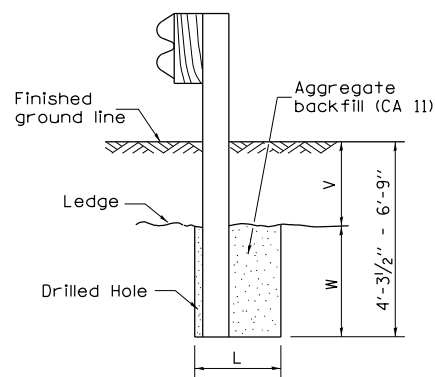
Note:
If it is necessary for D to be more than 12 and less than 10'-0" type M-2 curb and gutter (Std. 606001) shall be used in front of and in advance of the guardrail.

GUARDRAIL PLACED BEHIND CURB

(D = 0 desirable to 12 maximum)



WOOD BLOCK-OUT AND STEEL POST DETAILS

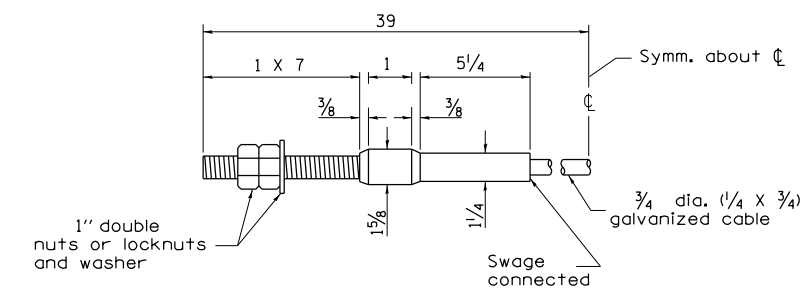


Note:
Ledge line is top of rock ledge or hard slag fill.

ELEVATION

FOOTING FOR POST WHEN IMPERVIOUS MATERIAL IS ENCOUNTERED

V	W	L	
		Steel Post	Wood Post
0 - 18	24	21	23
>18 - 41.5	12	8	10
>41.5 - 53.5	12 - 0	8	10



CABLE ASSEMBLY
(40,000 lbs. min. breaking strength)
Tighten to fault tension.

FILE NAME =	USER NAME = rundbladerr	DESIGNED -	REVISED - 10-18-11
et:\pw\work\p\dot\rundbladerr\d0232736	D201310-shr-cover.dgn	DRAWN -	REVISED -
	PLOT SCALE = 40.0000' / in.	CHECKED -	REVISED -
	PLOT DATE = Thu Oct 10 07:45:58 2013	DATE -	REVISED -

**STATE OF ILLINOIS
DEPARTMENT OF TRANSPORTATION**

REGION 2 / DISTRICT 2 STANDARD

SCALE: SHEET NO. OF SHEETS STA. TO STA.

F.A.P. RTE.	SECTION	COUNTY	TOTAL SHEETS	SHEET NO.
650	104T-3	JoDAVISS	97	72
CONTRACT NO. 64F74				
FED. ROAD DIST. NO. ILLINOIS FED. AID PROJECT				