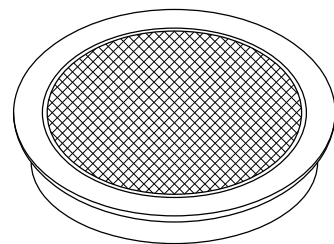
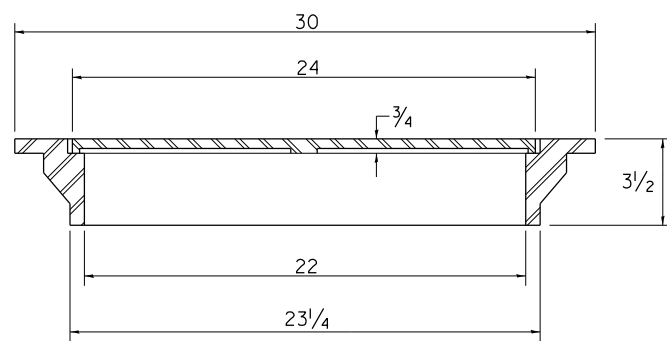


FIELD TILE JUNCTION VAULTS 24 AND 36 DIA.

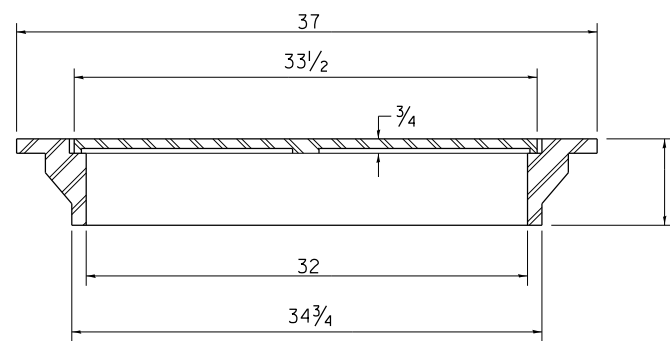


FRAME & LID FOR
24 VAULT

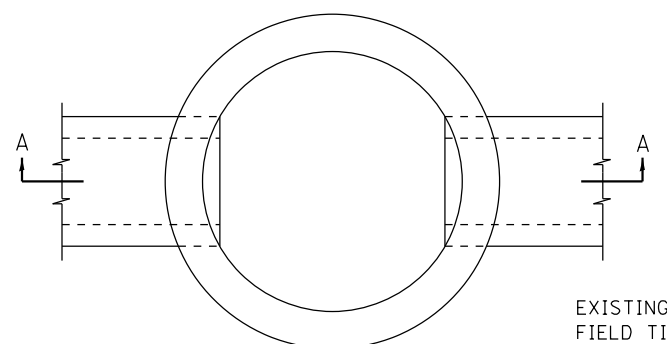
FRAME & LID FOR
36 VAULT



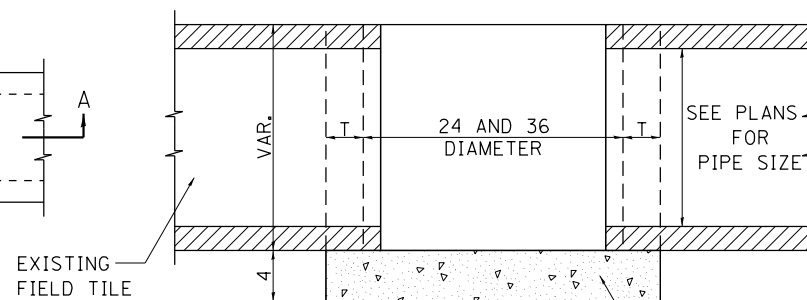
TOTAL WEIGHT: 146 LBS.



TOTAL WEIGHT: 280 LBS.



PLAN

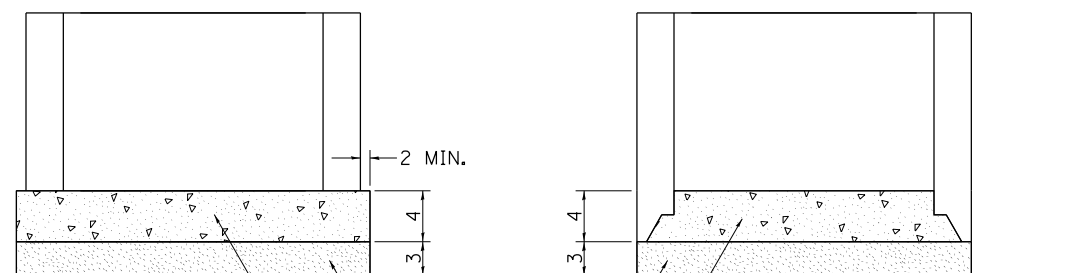


CAST-IN-PLACE CONCRETE
SECTION A-A

ALTERNATE MATERIALS FOR WALLS	T
BRICK MASONRY	8
CAST-IN-PLACE CONCRETE	6
CONCRETE MASONRY UNIT	5
PRECAST REINFORCED CONCRETE SECTION	3

NOTE: THE FRAME AND LID IS REQUIRED ON ALL JUNCTION VAULTS.

ALL DIMENSIONS ARE IN INCHES UNLESS OTHERWISE NOTED.



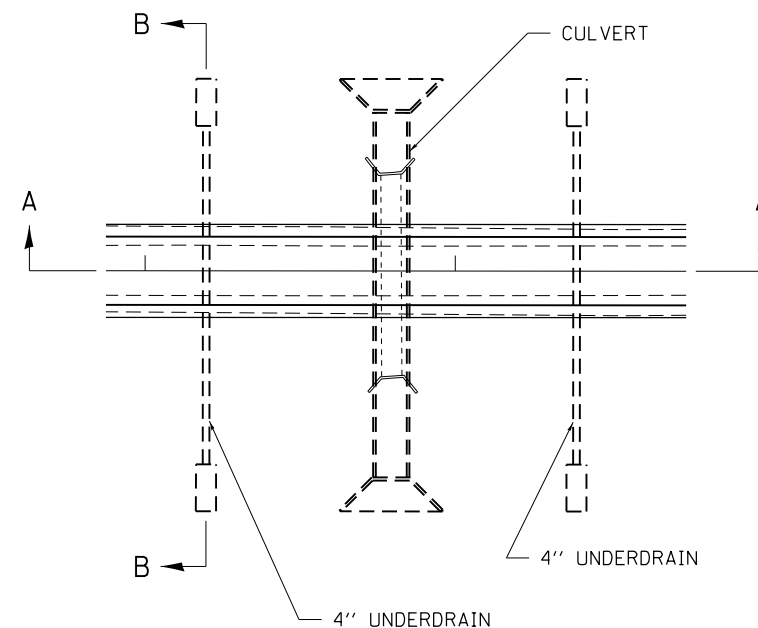
PRECAST REINFORCED
CONCRETE SLAB

SAND CUSHION
ALTERNATE METHODS

PREFABRICATED CONCRETE SLAB,
WHEN THE PRECAST REINFORCED
CONCRETE SECTION ALTERNATE
IS USED.

REVISED - 10-14-11

UNDERDRAIN FOR ACROSS ROAD (AR) CULVERTS



NOTES:

IN SAG CONDITIONS INSTAL PIPE UNDERDRAINS ON BOTH SIDES OF CULVERT.

ON HIGHWAY GRADES GREATER THAN 2% INSTALL PIPE UNDERDRAINS ON THE HIGH SIDE OF THE CULVERT.

THIS WORK SHALL BE COMPLETED ACCORDING TO SECTION 601 OF THE STANDARD SPECIFICATION.

THE UNDERDRAIN SHALL EXTEND UNTIL INTERSECTING WITH THE SIDE SLOPES. THE PIPES SHALL DRAIN INTO CONCRETE HEADWALLS. (SEE ARTICLE 601.05 OF THE STANDARD SPECIFICATIONS AND HIGHWAY STANDARDS 601101).

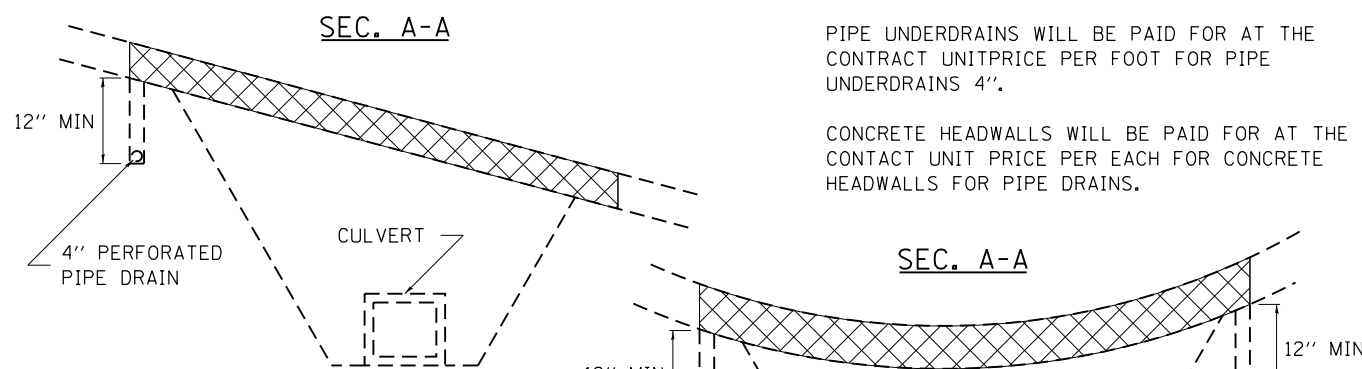
THE UNDERDRAIN SHALL BE A MINIMUM OF 12" BELOW THE EXISTING PAVEMENT.

THE TRENCH FOR THE UNDERDRAIN SHALL BE BACKFILLED WITH CA7 OR CA16.

THE TRENCH SHALL BE WRAPPED USING A FABRIC ENVELOPE MEETING THE REQUIREMENTS OF ARTICLE 1080.05 OF THE STANDARD SPECIFICATIONS. FABRIC ENCASING THE PIPE SHALL BE ELIMINATED.

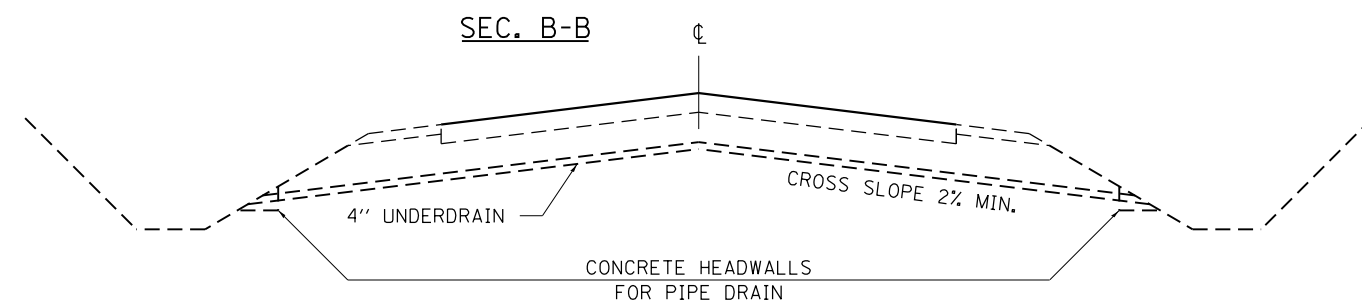
PIPE UNDERDRAINS WILL BE PAID FOR AT THE CONTRACT UNITPRICE PER FOOT FOR PIPE UNDERDRAINS 4".

CONCRETE HEADWALLS WILL BE PAID FOR AT THE CONTACT UNIT PRICE PER EACH FOR CONCRETE HEADWALLS FOR PIPE DRAINS.



NOTES:
(HIGHWAY GRADE GREATER THAN 2%)

NOTES:
(IN SAG CONDITION)
(PIPE DRAIN ON EACH SIDE)



REVISED - 7-05-12
REVISED -
REVISED -
REVISED -

REGION 2 / DISTRICT 2 STANDARD

SCALE: 40,0000' / 1" SHEET NO. OF SHEETS STA. TO STA.

F.A.P. RTE.	SECTION	COUNTY	TOTAL SHEETS	SHEET NO.
650	104T-3	JoDAVISS	97	74
CONTRACT NO. 64F74				
FED. ROAD DIST. NO. ILLINOIS FED. AID PROJECT				

PLOT DATE = Thu Oct 10 07:46:20 2013