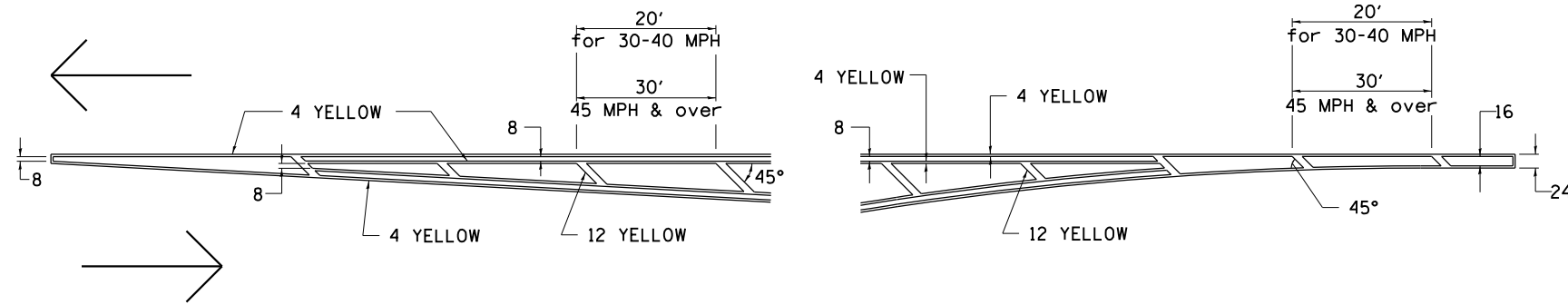
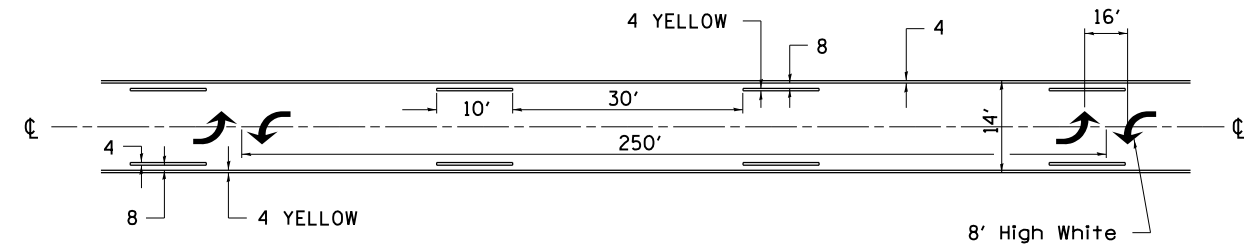


TYPICAL PAVEMENT MARKINGS

TYPICAL PAVEMENT MARKING FOR FLUSH MEDIAN AT LEFT TURN LANE

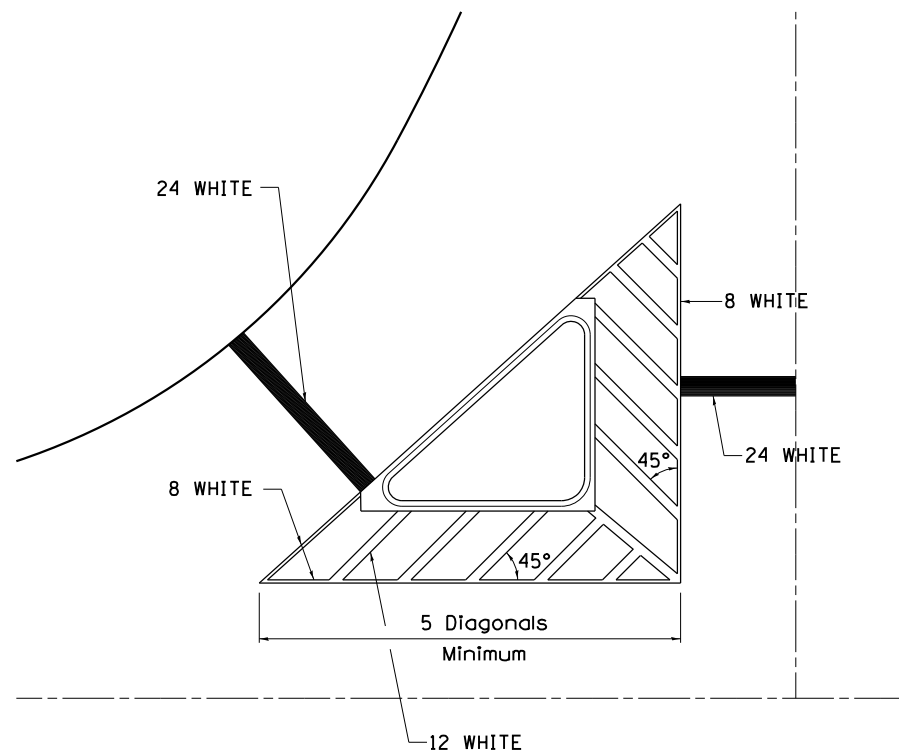


MEDIAN PAVEMENT MARKING

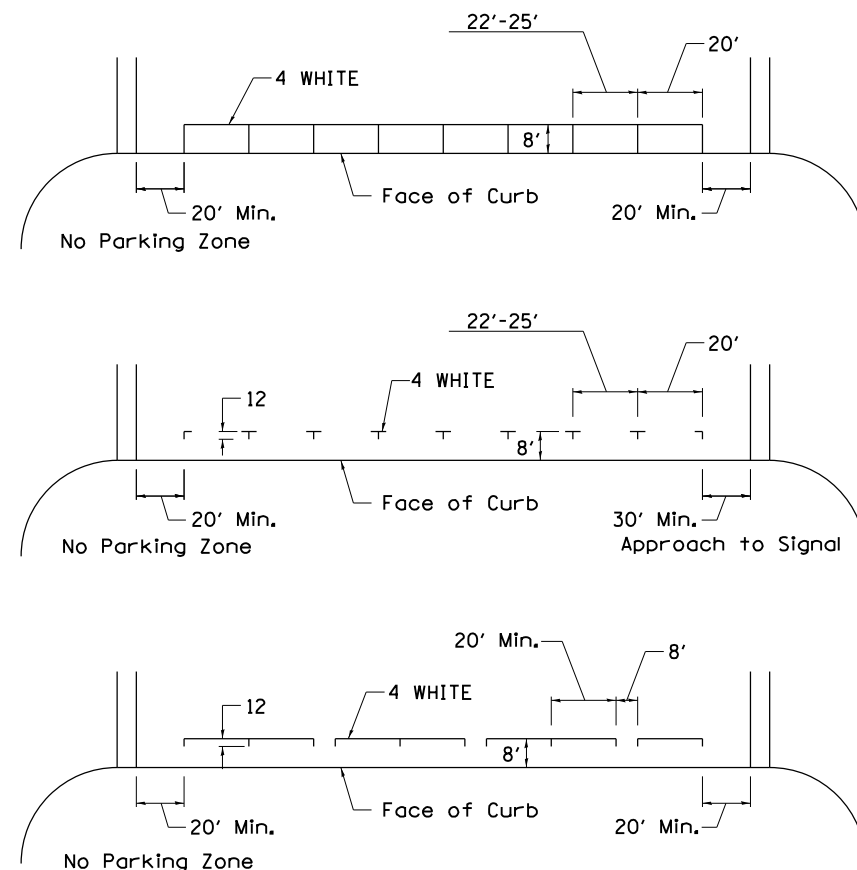


•• ALL DIMENSIONS ARE IN INCHES UNLESS OTHERWISE NOTED.

TYPICAL ISLAND OFFSET SHOULDER WIDTH

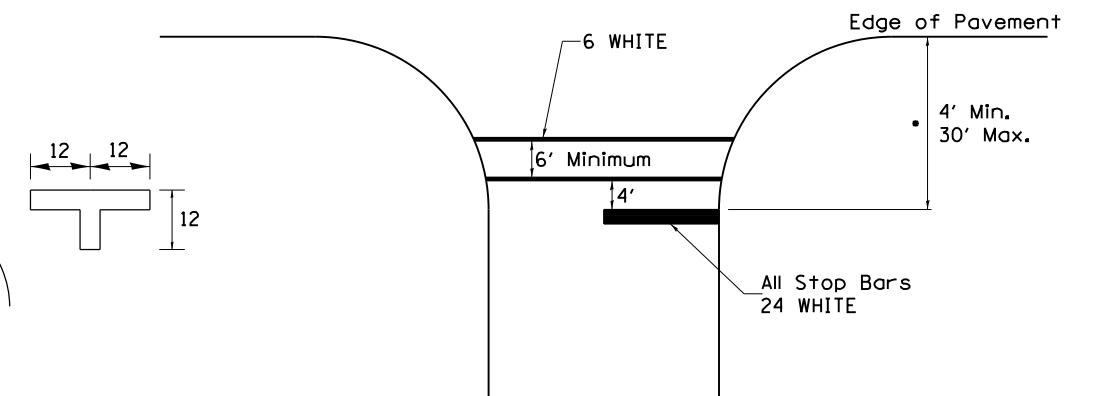


TYPICAL PARKING SPACING



STANDARD CROSSWALK MARKING

See Schedules for Locations



• Distance to the nearest edge of the intersecting roadway in the absence of a marked crosswalk.

FILE NAME =	USER NAME = dossed	DESIGNED -	REVISED - 3-05-12	STATE OF ILLINOIS DEPARTMENT OF TRANSPORTATION	REGION 2 / DISTRICT 2 STANDARD			F.A.I. RTE.	SECTION	COUNTY	TOTAL SHEETS	SHEET NO.
D:\BR\Draw\Whiteside\64J89 Cleaning & Painting SN 098-0057 & SN 089-0043\CADD\2014-2	DRAWN	REVISOR	REVISOR					88	D2 BRIDGE PAINTING 2014-2	WHITESIDE	9	6
PLOT SCALE = 100.0000' / in.	CHECKED -	REVISOR	REVISOR		SCALE: SHEET NO. OF SHEETS STA. TO STA.			CONTRACT NO. 64J89				
PLOT DATE = Mon Oct 07 08:26:55 2013	DATE -	REVISOR	REVISOR		FED. ROAD DIST. NO. ILLINOIS FED. AID PROJECT							