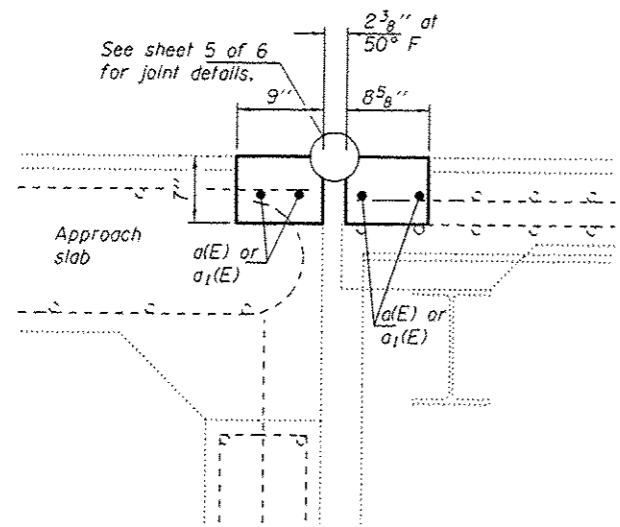
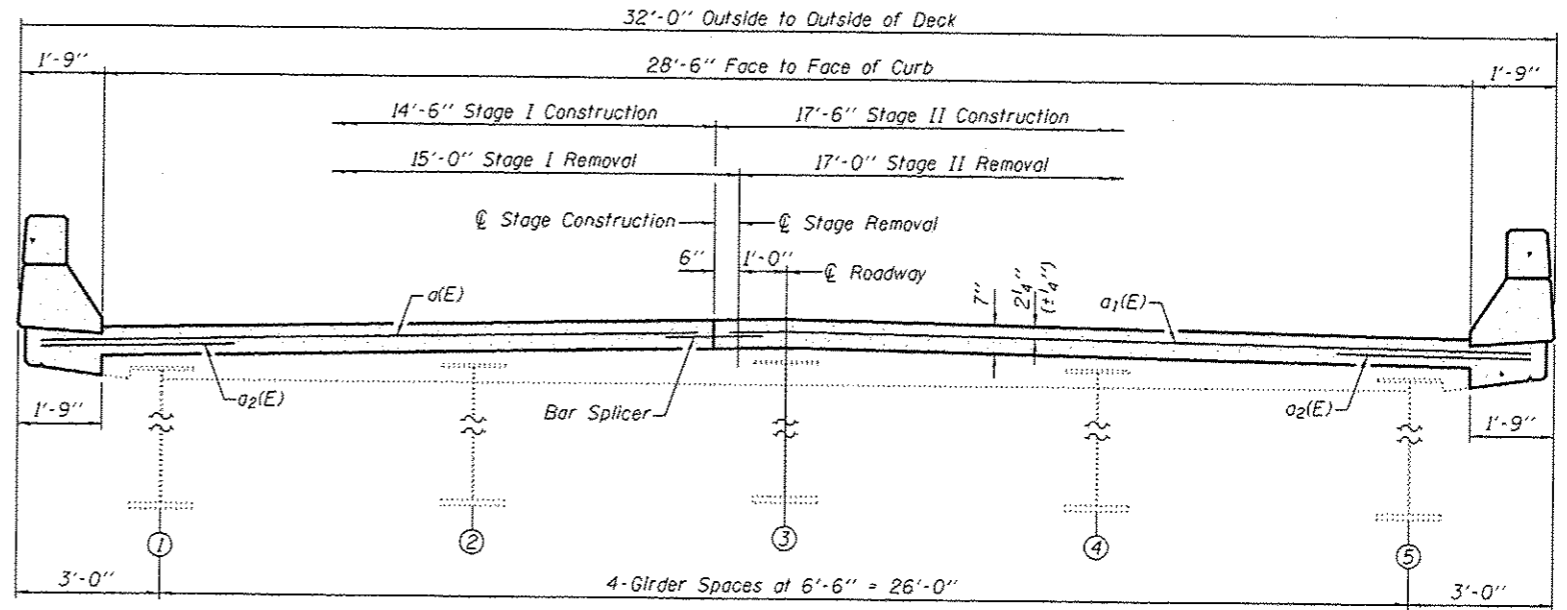


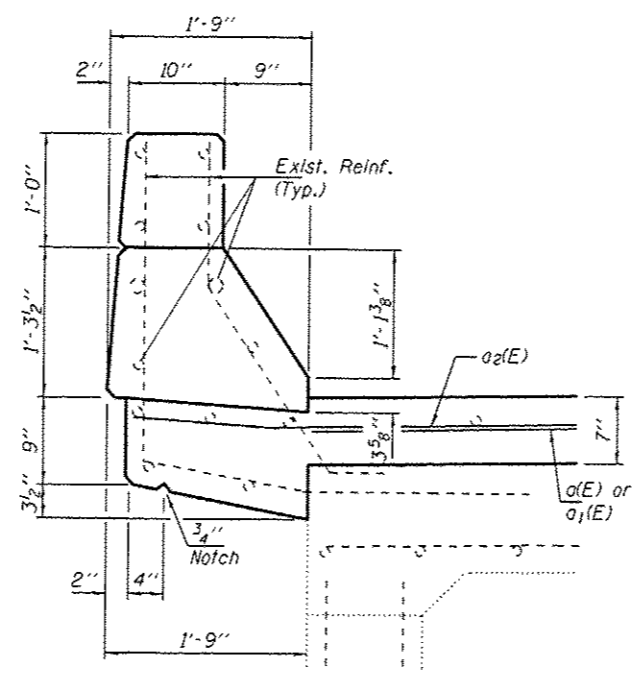
SECTION A-A
(Near \bar{C} Roadway)
(Dims. at RT L's to end of deck)



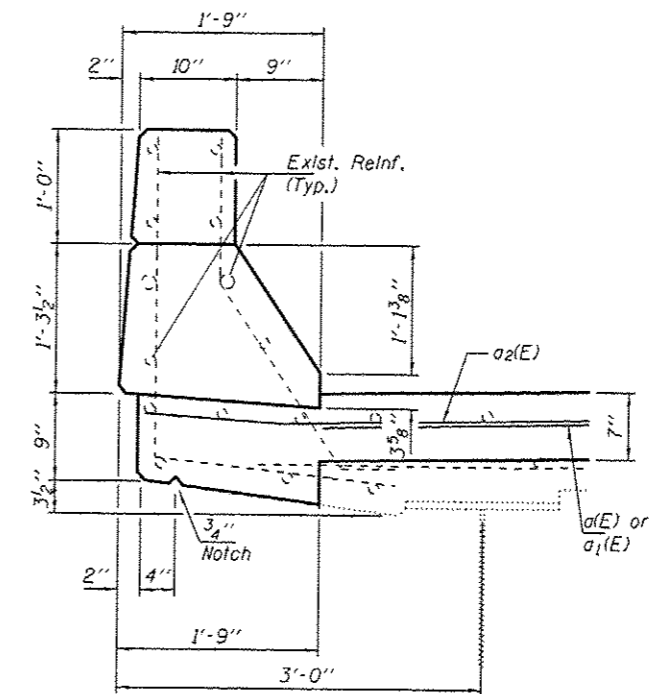
SECTION B-B
(Near \bar{C} Roadway)
(Dims. at RT L's to end of deck)



CROSS SECTION
(Looking South)
(Existing Reinforcement not shown for clarity.)



SECTION THRU APPROACH PARAPETS



SECTION THRU BRIDGE PARAPETS

BILL OF MATERIAL

Bar	No.	Size	Length	Shape
a(E)	8	#5	19'-4"	
a1(E)	8	#5	23'-5"	
a2(E)	16	#6	4'-0"	
Concrete Removal			Cu. Yd.	4.3
Concrete Superstructure			Cu. Yd.	4.2
Reinforcement Bars, Epoxy Coated			Pound	450

DESIGNED SMR	EXAMINED	DATE NOVEMBER 12, 2013
CHECKED TLC	PASSED	
DRAWN baliva		
CHECKED SMR TLC		

STATE OF ILLINOIS
DEPARTMENT OF TRANSPORTATION

REPAIR DETAILS
SN 081-0124

F.A.J. RTE.	SECTION	COUNTY	TOTAL SHEETS	SHEET NO.
88	D2 BRIDGE REPAIR 2014-1	ROCK ISLAND	10	7
				CONTRACT NO. 64J91
ILLINOIS FED. AID PROJECT				