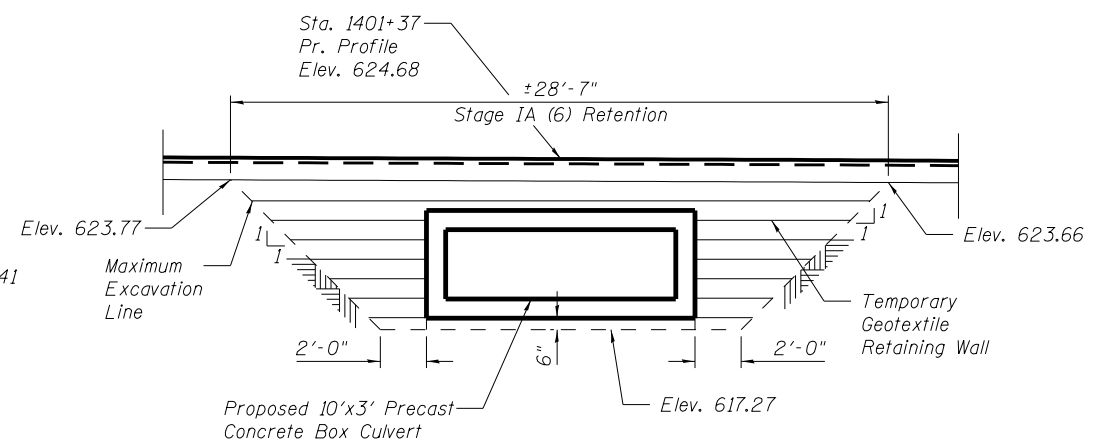
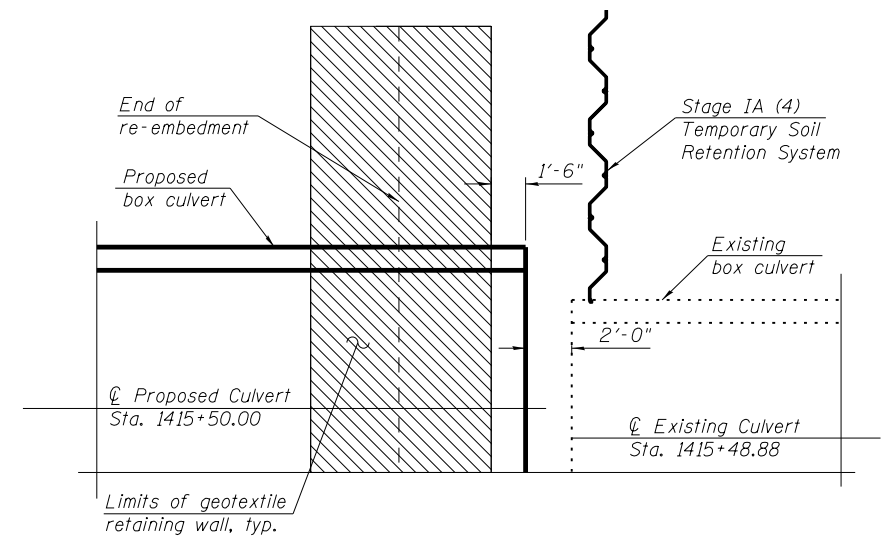


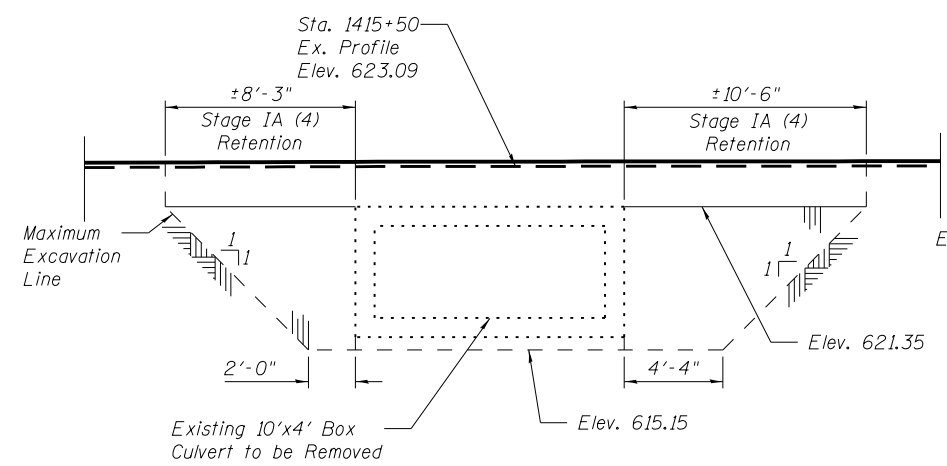
TEMPORARY SOIL RETENTION SYSTEM
Station 1401+37.00



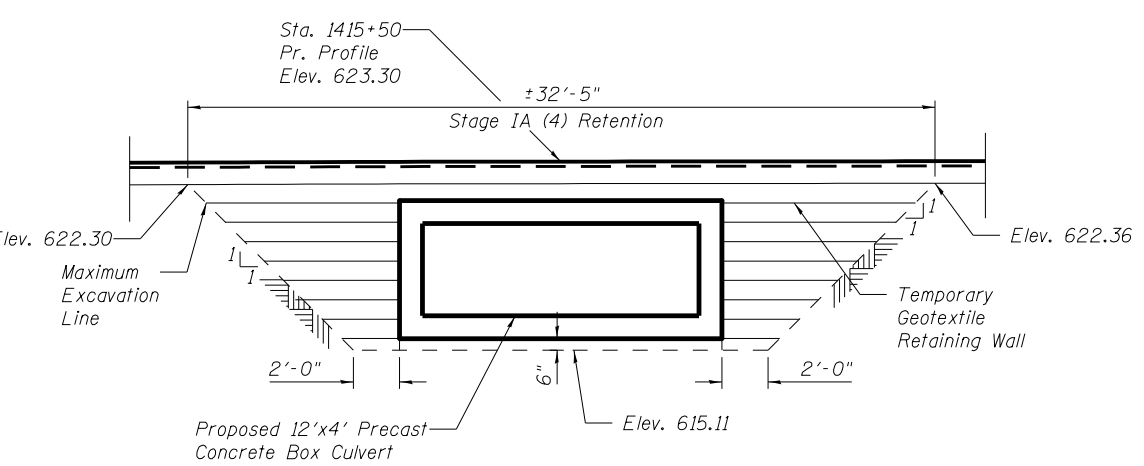
GEOTEXTILE RETAINING WALL
Station 1401+37.00



TEMPORARY GEOTEXTILE WALL PLAN
Station 1415+50.00



TEMPORARY SOIL RETENTION SYSTEM
Station 1415+50.00



GEOTEXTILE RETAINING WALL
Station 1415+50.00

**BILL OF MATERIAL
STATION 1401+37**

Item	Unit	Total
Porous Granular Embankment	Cu. Yd.	107
Removal of Existing Structures No. 1	Each	1
Rock Excavation for Structures	Cu. Yd.	35
Geotextile Retaining Wall	Sq. Ft.	82
Temporary Soil Retention System	Sq. Ft.	47
Grating for Concrete Headwall No. 1	Each	1

**BILL OF MATERIAL
STATION 1415+50**

Item	Unit	Total
Porous Granular Embankment	Cu. Yd.	137
Removal of Existing Structures No. 2	Each	1
Rock Excavation for Structures	Cu. Yd.	58
Geotextile Retaining Wall	Sq. Ft.	91
Temporary Soil Retention System	Sq. Ft.	78
Grating for Concrete Headwall No. 2	Each	1