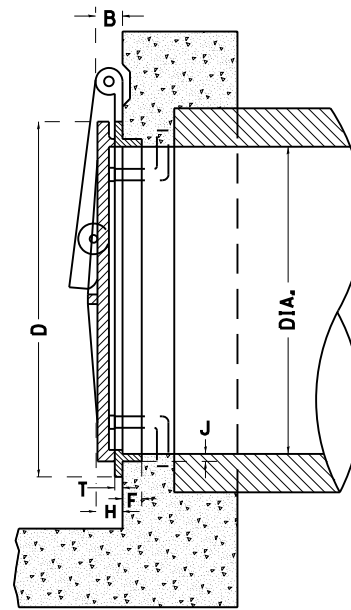
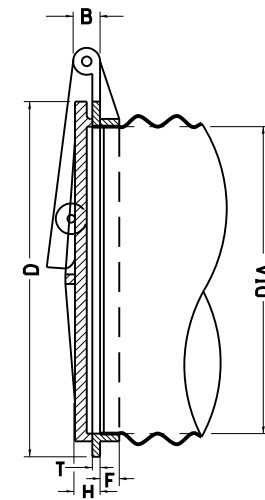


FRONT ELEVATION



SECTION



SECTION SHOWING METHOD OF APPLICATION TO CORRUGATED METAL PIPE

IT IS INTENDED THAT THE AUTOMATIC FLAP GATES SHALL BE A COMMERCIAL PRODUCT PRODUCED BY A RELIABLE MANUFACTURER. THE GATE MAY BE MADE OF CAST IRON, CAST STEEL OR OTHER SUITABLE MATERIALS. THE DESIGN MAY DIFFER FROM THE DRAWING IF IT WILL WORK IN A SATISFACTORY, TROUBLE FREE MANNER AND WILL WITHSTAND THE WATER PRESSURE AT THE INSTALLATION LOCATION. THE GATE SHALL BE APPROVED BY THE ENGINEER.

THE SIZE OF AUTOMATIC FLAP GATES SHALL REFER TO THE DIAMETER OF THE OUTLET PIPE OR OPENING.

THIS WORK SHALL BE PAID FOR AT THE CONTRACT UNIT PRICE EACH FOR FLAP GATES OF THE SIZE SPECIFIED AND SHALL INCLUDE ALL MATERIALS AND COMPLETE INSTALLATION.

TABLE OF DIMENSIONS

DIAM	A	B	C	D	E	F	G	H	J	T
8"	10 3/4"	1 3/8"	5 1/16"	10"	1/2"	1 1/8"	3 9/16"	1 1/4"	3/8"	3/8"
10"	12 3/4"	1 3/8"	7 1/8"	12 1/4"	1/2"	1 1/8"	4 3/8"	1 1/2"	1/2"	7/16"
12"	14 3/4"	1 3/8"	8 1/2"	14 1/2"	1/2"	1 1/8"	5 1/8"	1 1/2"	1/2"	1/2"
14"	17 1/4"	1 3/8"	9 7/8"	16 3/4"	1/2"	1 1/4"	5 15/16"	1 1/2"	1/2"	9/16"
15"	17 3/4"	1 3/8"	10 5/8"	17 3/4"	1/2"	1 1/4"	6 1/4"	1 1/2"	1/2"	9/16"
16"	19 1/4"	1 3/8"	11 1/4"	18 3/4"	1/2"	1 1/4"	6 5/8"	1 1/2"	1/2"	9/16"
18"	22 1/4"	2"	12 5/8"	21"	3/4"	1 9/16"	7 7/16"	1 3/4"	9/16"	9/16"
20"	24 3/4"	2"	14 1/8"	23 3/4"	3/4"	1 3/8"	8 1/4"	1 3/4"	5/8"	5/8"
21"	25 1/4"	2"	14 7/8"	24 1/4"	3/4"	1 3/8"	8 9/16"	1 3/4"	5/8"	5/8"
24"	28 1/4"	2"	17"	27 1/2"	3/4"	1 1/2"	9 3/4"	1 3/4"	5/8"	5/8"
30"	35 1/4"	2 1/2"	20 1/2"	34"	1"	1 9/16"	12"	2"	1 1/16"	5/8"
36"	41 1/2"	2 1/2"	25"	40 7/8"	1"	2 1/16"	14 7/16"	2 1/4"	1 1/8"	11/16"
42"	47 1/2"	2 1/2"	29 3/4"	47"	1"	2 5/16"	16 5/8"	2 1/4"	1 1/8"	3/4"
48"	53 1/2"	2 1/2"	34"	54"	1"	2 3/4"	19 1/16"	2 1/4"	1 3/8"	3/4"
54"	60 3/4"	2 1/2"	38"	62 1/4"	1 1/4"	2 3/4"	22"	3"	1 1/2"	7/8"
60"	67"	2 1/2"	42"	68 1/2"	1 1/4"	2 3/4"	24 1/4"	3"	1 1/2"	15/16"
66"	73 3/8"	2 1/2"	47"	75"	1 1/4"	2 7/8"	26 1/2"	3"	1 1/2"	1"
72"	79"	2 1/2"	51"	82"	1 1/4"	3"	29"	3"	1 1/2"	1"
78"	86"	2 1/2"	55 1/4"	88 3/4"	1 1/4"	3 1/2"	31 3/8"	3"	1 5/8"	1 1/8"
84"	92 1/2"	3 1/2"	59 1/2"	95 1/2"	1 1/2"	3 1/2"	33 3/4"	3"	1 3/4"	1 1/4"

FILE NAME =
D366905-SHT-DETAILS.DGN

USER NAME = --
PLOT SCALE = NONE
PLOT DATE = 07/13

DESIGNED - JKC
DRAWN - NV
CHECKED - JKC
DATE - 07/13

REVISED -
REVISED -
REVISED -
REVISED -

STATE OF ILLINOIS
DEPARTMENT OF TRANSPORTATION

DETAILS

SCALE: NONE SHEET OF SHEETS STA. - TO STA. -

F.A.P. RTE.	SECTION	COUNTY	TOTAL SHEETS	SHEET NO.
41	(1)W&RS-1	KANKAKEE	450	179
CONTRACT NO. 66905				
ILLINOIS FED. AID PROJECT				