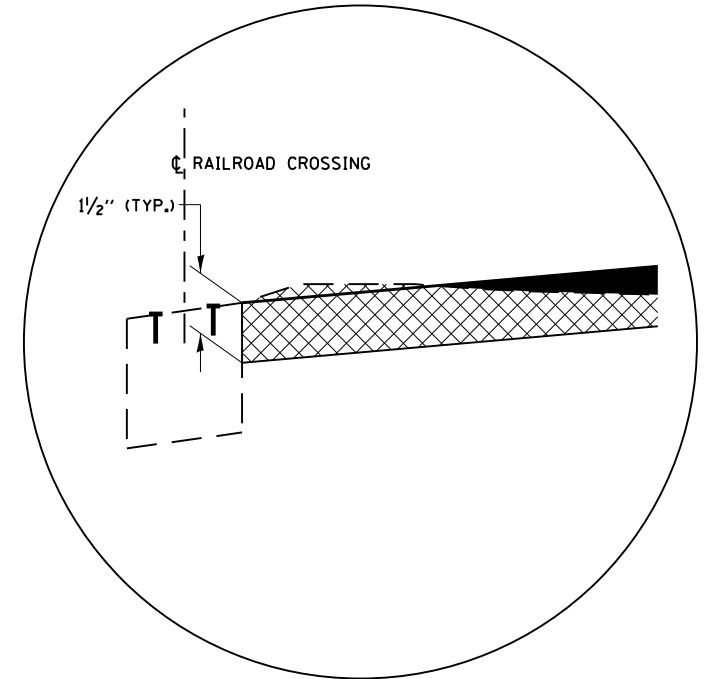
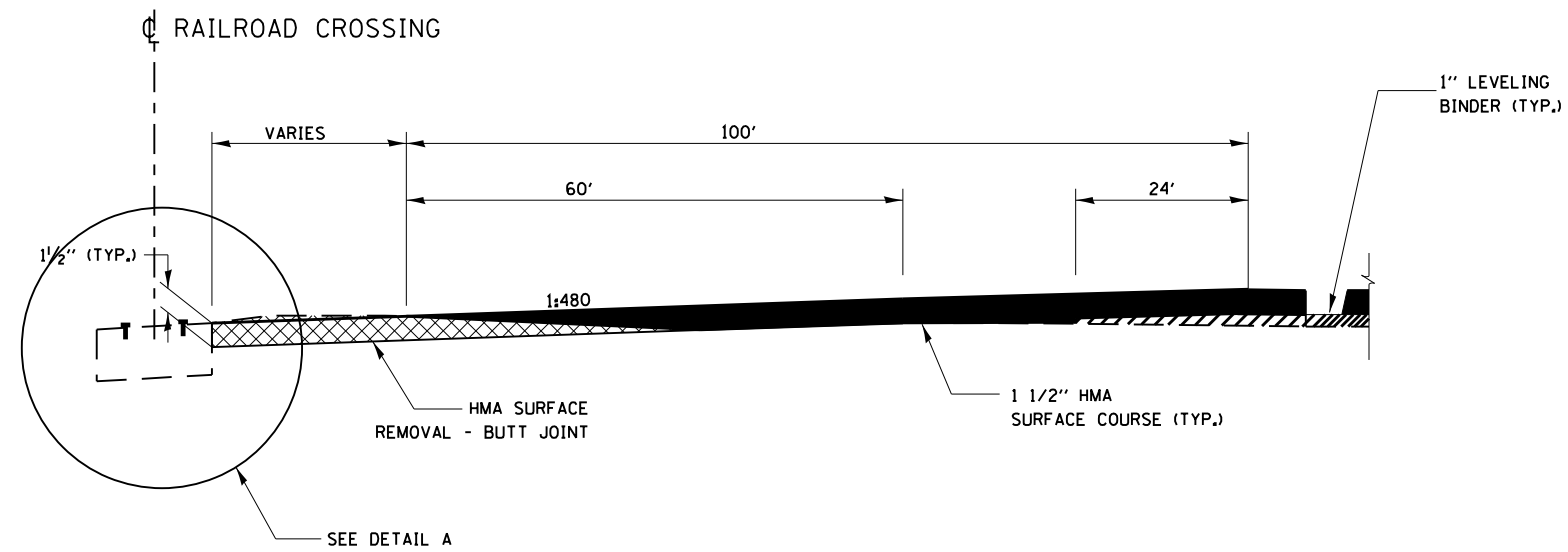


**PLAN AT RAILROAD CROSSING**



**DETAIL A**



**BUTT JOINT AT RAILROAD CROSSING**

FILE NAME =	USER NAME = --
D366905-SHT-DETAILS.DGN	
PLOT SCALE = NONE	
PLOT DATE = 07/13	

DESIGNED - JKC	REVISD -
DRAWN - NV	REVISD -
CHECKED - JKC	REVISD -
DATE - 07/13	REVISD -

DESIGNED - JKC	REVISD -
DRAWN - NV	REVISD -
CHECKED - JKC	REVISD -
DATE - 07/13	REVISD -

DESIGNED - JKC	REVISD -
DRAWN - NV	REVISD -
CHECKED - JKC	REVISD -
DATE - 07/13	REVISD -

**STATE OF ILLINOIS  
DEPARTMENT OF TRANSPORTATION**

<b>DETAILS</b>	
SCALE: NONE	SHEET OF SHEETS STA. - TO STA. -

F.A.P. RTE.	SECTION	COUNTY	TOTAL SHEETS	SHEET NO.
41	(1)W&RS-1	KANKAKEE	450	184
<b>CONTRACT NO. 66905</b>				
ILLINOIS FED. AID PROJECT				