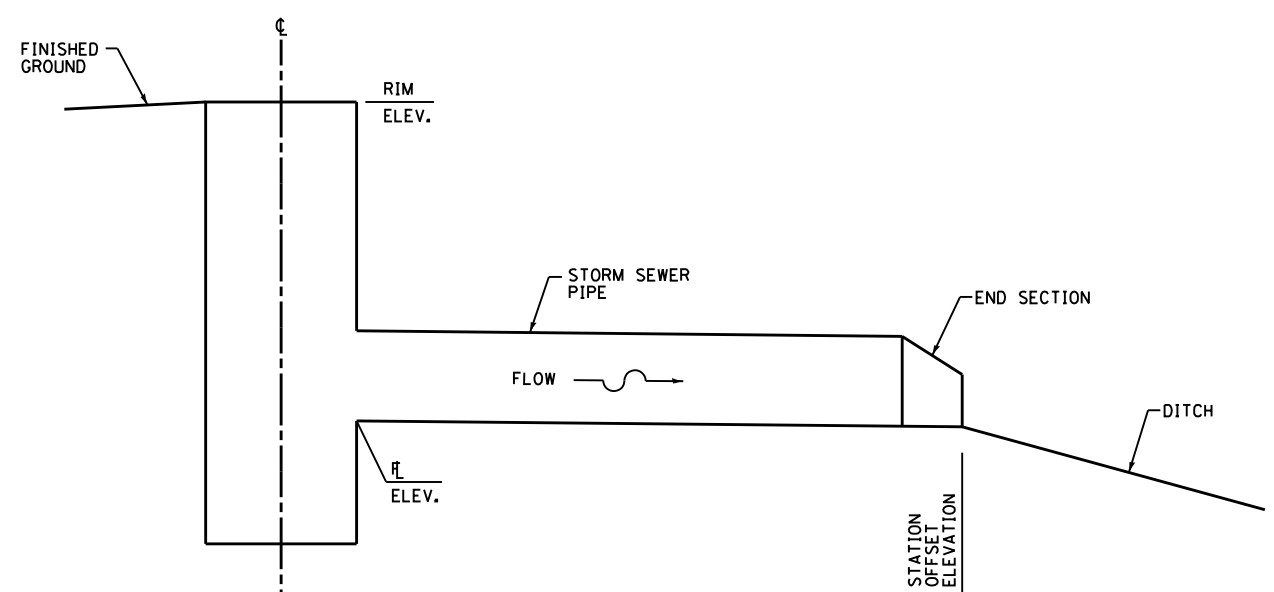
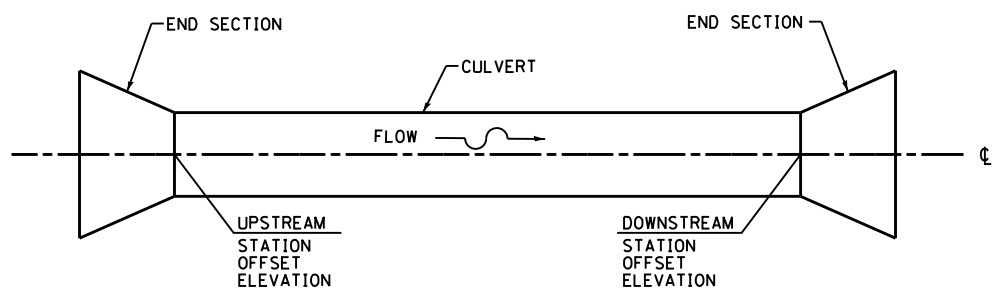


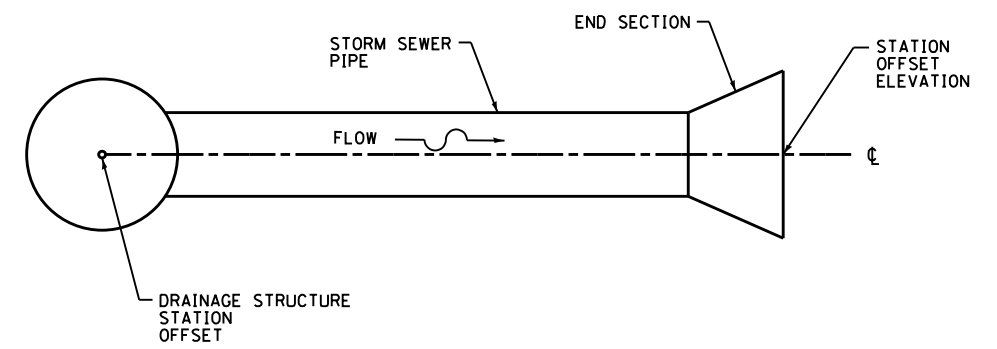
PROFILE



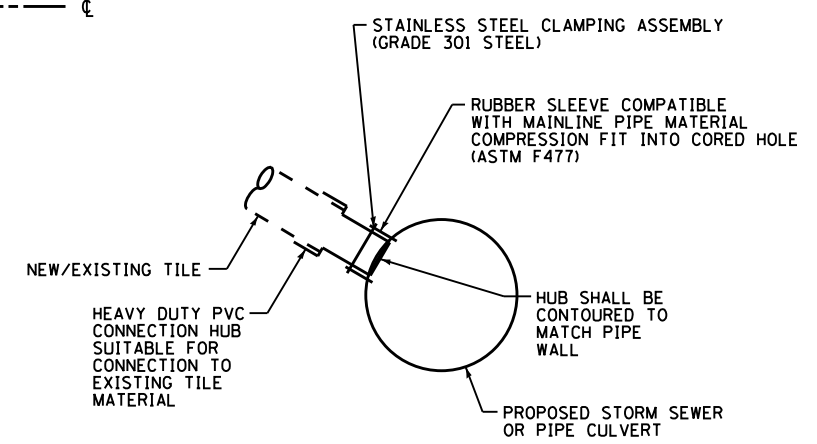
PROFILE



PLAN



PLAN



INSERTED TEE DETAIL

CULVERT SCHEDULE CALLOUT LOCATIONS

N.T.S.

STORM SEWER SCHEDULES CALLOUT LOCATIONS

N.T.S.

NOTE: PVC HUB, RUBBER SLEEVE, AND STAINLESS STEEL BAND SHALL BE INSTALLED IN ACCORDANCE WITH MANUFACTURES INSTRUCTIONS.

FILE NAME = D366905-SHT-DETAILS.DGN	USER NAME = --	DESIGNED - JKC	REVISED -	STATE OF ILLINOIS DEPARTMENT OF TRANSPORTATION	DRAINAGE DETAILS			F.A.P. RTE.	SECTION	COUNTY	TOTAL SHEETS	SHEET NO.	
	PLOT SCALE = 1"=5'	DRAWN - NV	REVISED -		SCALE: 1"=5'	SHEET	OF SHEETS	STA. -	TO STA. -	41	(1)W&RS-1	KANKAKEE	450
PLOT DATE = 07/13	DATE - 07/13	CHECKED - JKC	REVISED -										CONTRACT NO. 66905
													ILLINOIS FED. AID PROJECT