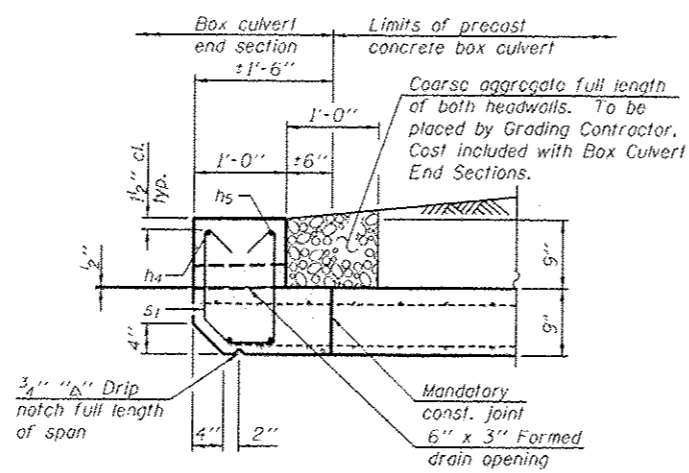
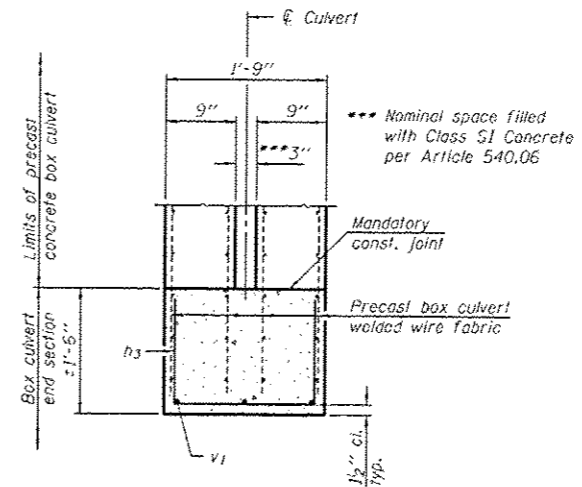


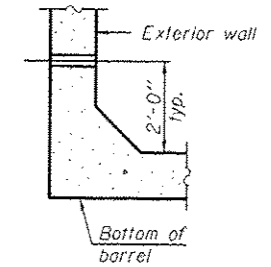
SECTION B-B
(Downstream Section)



SECTION B-B
(Upstream Section)

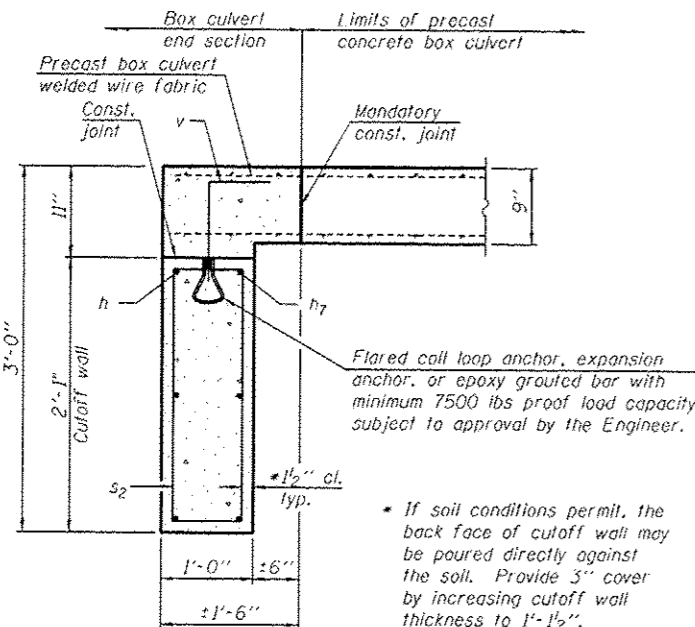


SECTION D-D
(Typ. Both Ends)

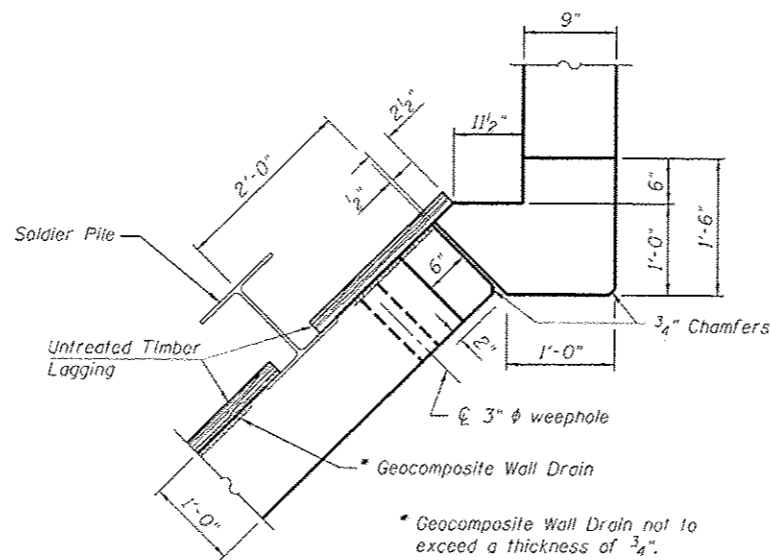


DRAIN DETAIL

Provide 3" ϕ drain holes in exterior walls at $\pm 8'$ cts. See Article 503.11 of the Standard Specifications.

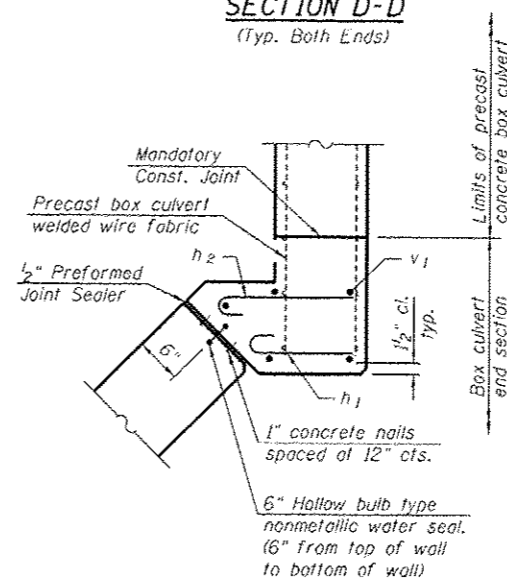


SECTION C-C



SECTION E-E

(Showing dimensions, wall drain, and weephole)



SECTION E-E

(Showing reinforcement and seal)

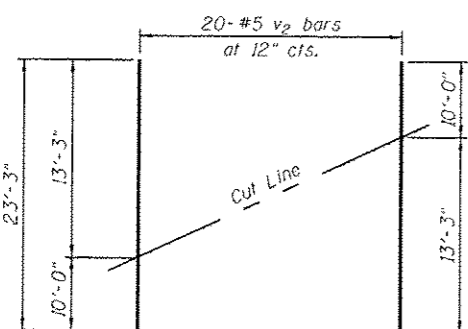
**ONE END SECTION
BILL OF MATERIAL**

(For information only)

Bar	No.	Size	Length	Shape
h	3	#5	21'-6"	—
h1	28	#4	1'-5"	C
h2	28	#4	1'-9"	C
h3	9	#4	4'-0"	—
h4	2	#6	21'-6"	—
h5	2	#6	22'-10"	—
h6	28	#5	19'-3"	—
h7	3	#5	22'-10"	—
h8	28	#5	11'-9"	—
s	20	#4	4'-0"	U
s1	20	#4	3'-10"	U
s2	20	#4	5'-11"	U
v	20	#5	1'-8"	—
v1	13	#5	10'-4"	—
v2	20	#5	23'-3"	—
v3	13	#5	20'-3"	—
Concrete Structures	Cu. Yd.	13.2		
Stud Shear Connectors	Each	91		
Reinforcement Bars	Pound	2,330		
Bar Splicers	Each	10		
Furnishing Soldier Piles (HP Section)	Foot	248		
Drilling and Setting Soldier Piles (in soil)	Cu. Ft.	456		
Untreated Timber Lagging	Sq. Ft.	346		
Concrete Box Culverts	Cu. Yd.	5.7		
Geocomposite Wall Drain	Sq. Yd.	10		

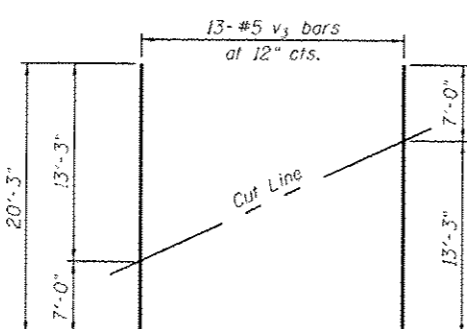
** Only s or s1 bars are required for each end section.

The above pay items will not be measured for payment but shall be included in the contract unit price each for Box Culvert End Sections of the culvert number specified.



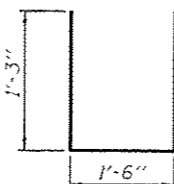
FIELD CUTTING DIAGRAM

Order v2 bars full length. Cut to fit and use remainder of bar in opposite face.

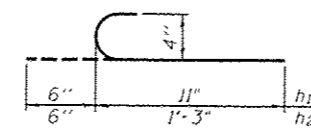


FIELD CUTTING DIAGRAM

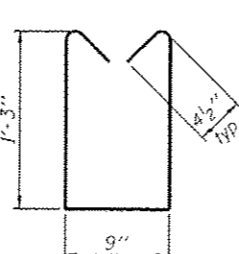
Order v3 bars full length. Cut to fit and use remainder of bar in opposite face.



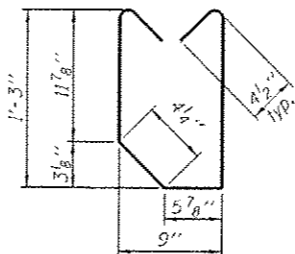
BAR h3



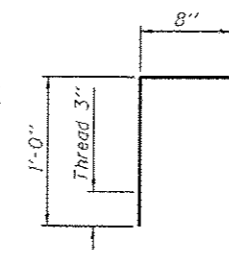
BARS h1 and h2



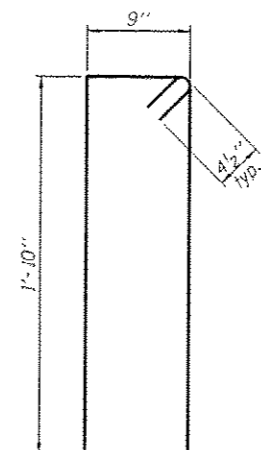
BAR s



BAR s1

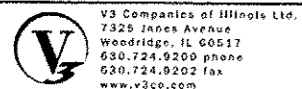


BAR v



BAR s2

Added Sheet 1-3-14



USER NAME	DESIGNED - CJB	REVISED
PLOT SCALE	CHECKED - CCF	REVISED
PLOT DATE	DRAWN - CCF	REVISED
	CHECKED - CJB	REVISED

STATE OF ILLINOIS
DEPARTMENT OF TRANSPORTATION

BOX CULVERT END SECTION DETAILS
STRUCTURE NO. 050-2056

SHEET NO. 4 OF 7 SHEETS

F.A.P. R.T.E.	SECTION	COUNTY	TOTAL SHEETS	SHEET NO.
786	(110) BR-3	LASALLE	69	37
				CONTRACT NO. 66B19
ILLINOIS FED. AID PROJECT				