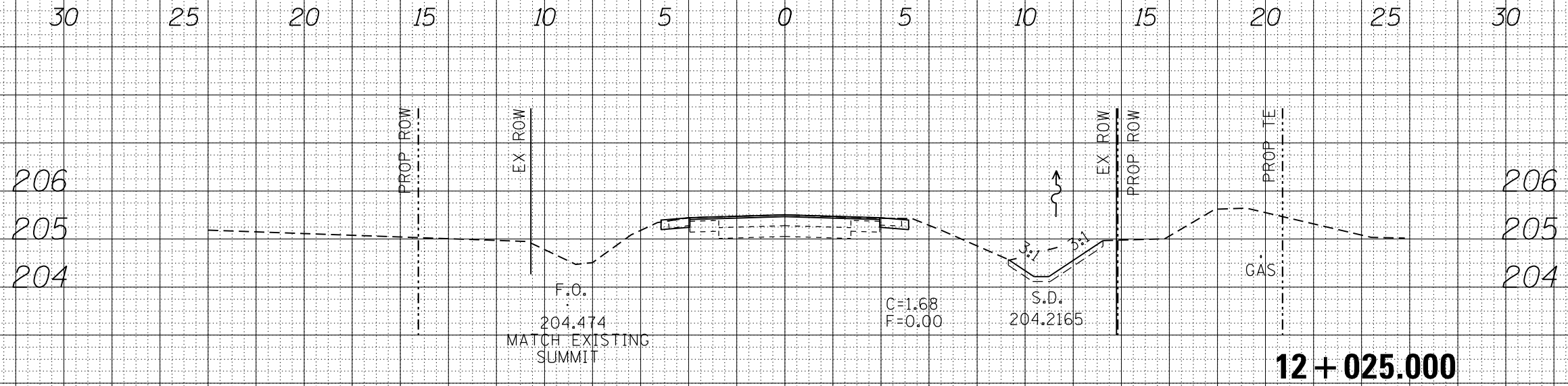
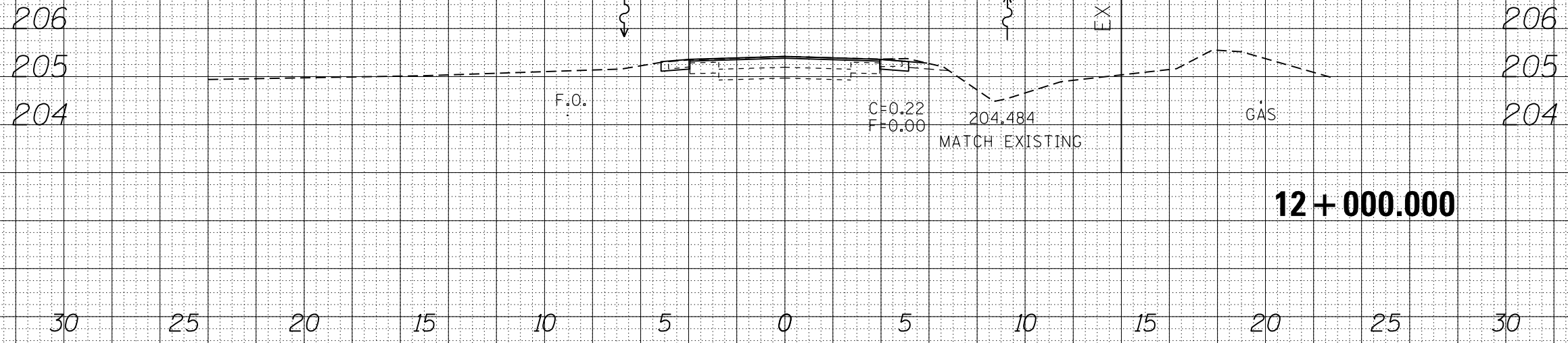


F.A.P. RTE.	SECTION	COUNTY	TOTAL SHEETS	SHEET NO.
619	120BR,CR	PUTNAM	77	69
STA.		TO STA.		
FED. ROAD DIST. NO.	ILLINOIS	FED. AID PROJECT		

BY	DATE
FINL SURVEY	SURVEYED
NOTE BOOK	PLOTTED
NO.	AREAS CHECKED



BY	DATE
ORIGINAL SURVEY	SURVEYED
NOTE BOOK	PLOTTED
NO.	AREAS CHECKED



**CROSS SECTIONS AT S.N. 078-2500**