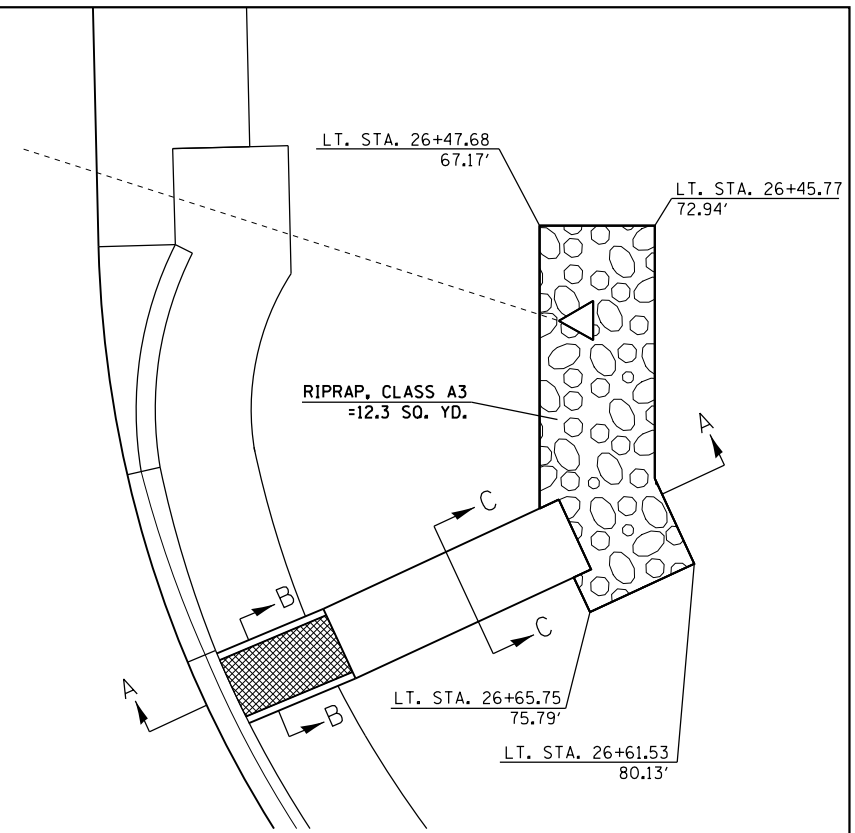
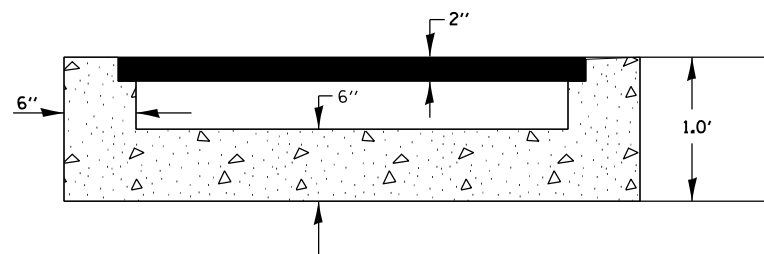


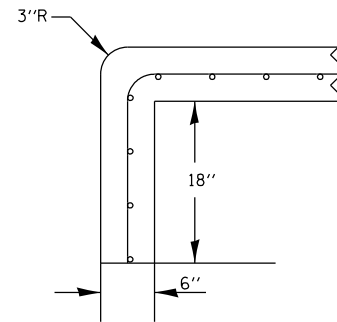
SECTION A-A



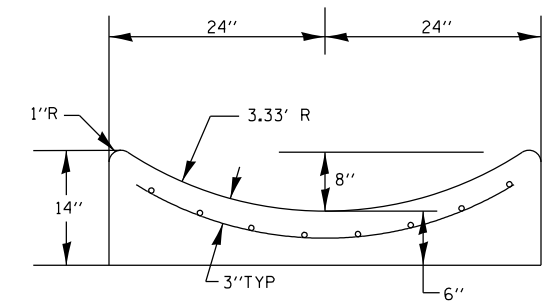
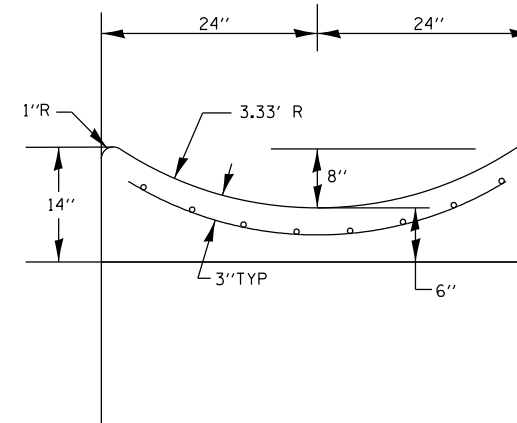
PLAN VIEW



SECTION B-B



SECTION AT ENDS OF OUTLET
(CURTAIN WALL)



SECTION C-C

NOTE:
TRENCH DRAIN GRATE SHALL BE IN ACCORDANCE WITH NEENAH R-4990-LX, TYPE D, SOLID LID OR AN APPROVED EQUIVALENT AND SHALL BE INCLUDED IN THE COST OF TRENCH DRAIN.

QUANTITY
FOR ENTIRE CLASS SI CONC. (OUTLET) = 1.7 CU. YD.

FILE NAME =	USER NAME = aubreygs	DESIGNED -	REVISED -
et:\pw\work\p\dot\aubreygs\d0318674\0468070-sh-t-drain.dgn		DRAWN -	REVISED -
Default	PLOT SCALE = 40.0000 ' / in.	CHECKED -	REVISED -
	PLOT DATE = 10/17/2013	DATE -	REVISED -

STATE OF ILLINOIS
DEPARTMENT OF TRANSPORTATION

TRENCH DRAIN/GUTTER OUTLET DETAIL

SCALE: SHEET OF SHEETS STA. TO STA.

F.A.U. R.E. 6658	SECTION ION	COUNTY PEORIA	TOTAL SHEETS 120	SHEET NO. 51
CONTRACT NO. 68A70				
ILLINOIS FED. AID PROJECT				