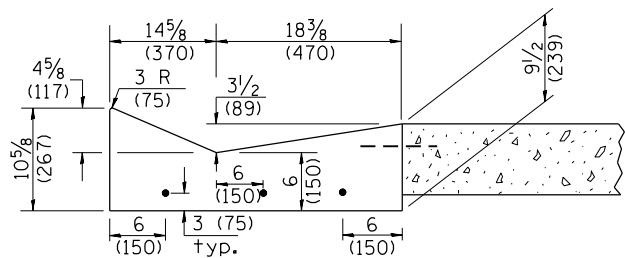
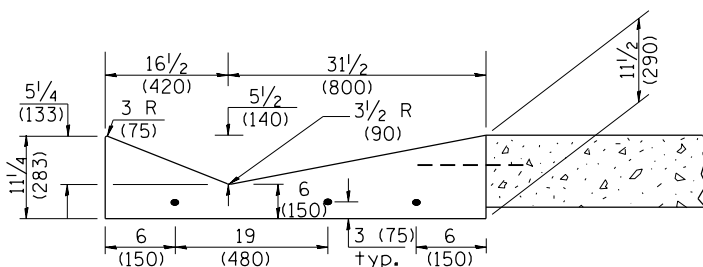


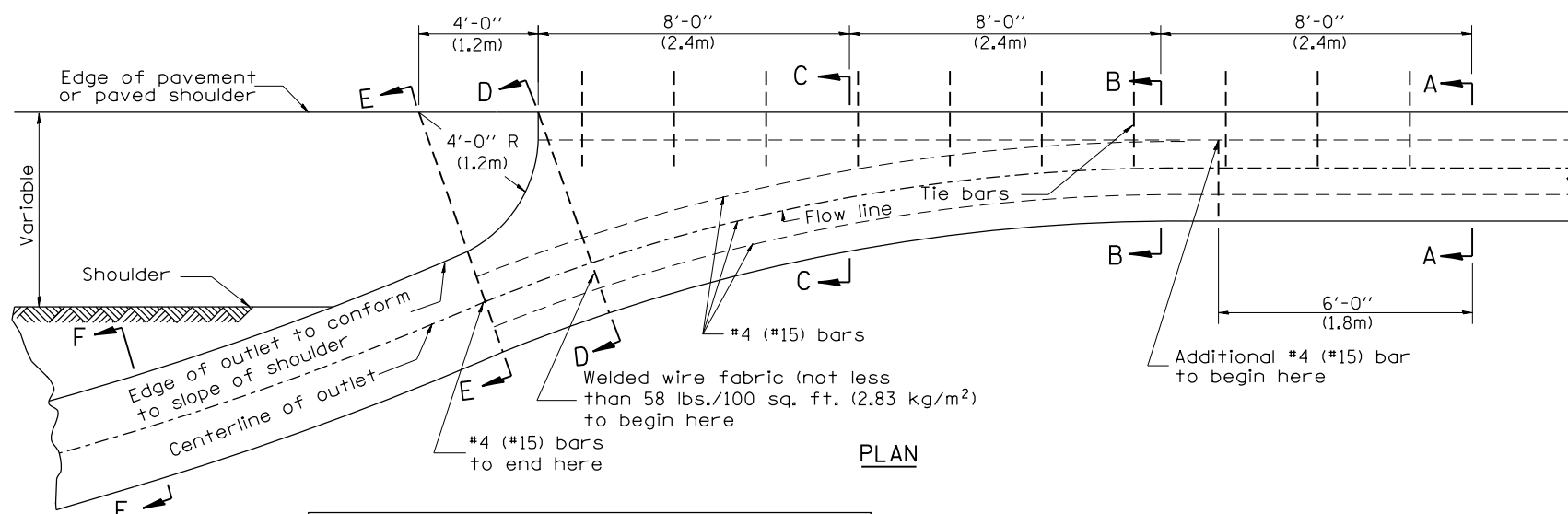
SECTION A-A



SECTION B-B



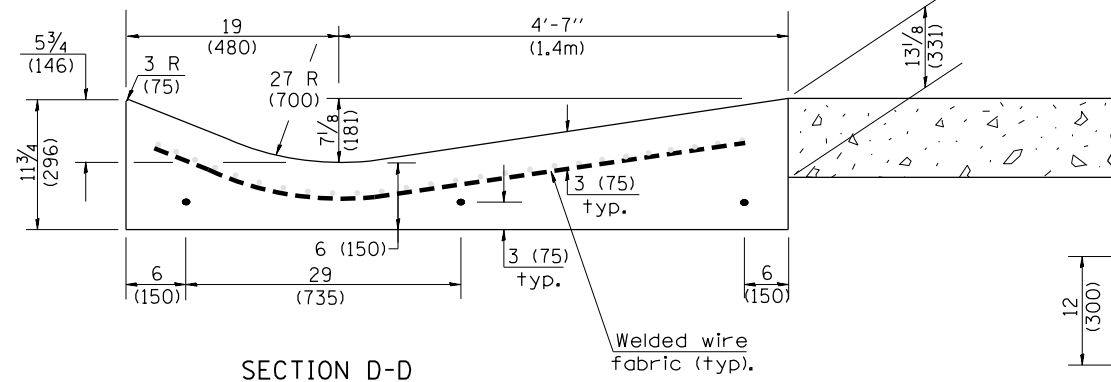
SECTION C-C



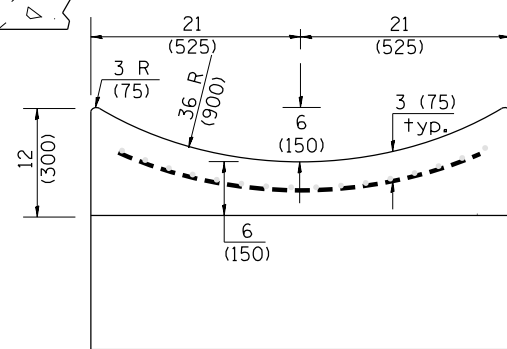
PLAN

QUANTITY
 Section A-A to E-E= 2.81 cu. yd. concrete.
 Section E-E to F-F= 0.09 cu. yd./ft. concrete.

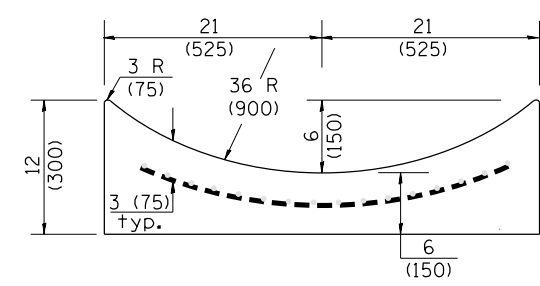
If the average grade of pavement for the distance from section A-A to section D-D exceeds 2%, this distance shall be increased 6 ft. (1.8m) for each 1% increase in grade. A quantity adjustment is required.



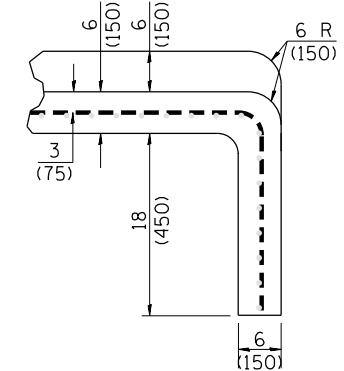
SECTION D-D



SECTION E-E



SECTION F-F



SECTIONS AT END OF OUTLET (CURTAIN WALL)

QUANTITY
 Curtain Wall = 0.1 cu. yd. concrete.

OUTLET

QUANTITIES
 CALC. BY: _____ DATE: _____
 CHECKED BY: _____ DATE: _____
 QUANTITY CALCULATIONS ARE ON FILE AT THE DISTRICT 4 OFFICE; BUREAU OF PROJECT IMPLEMENTATION; DOCUMENTATION SECTION

STATE OF ILLINOIS
 DEPARTMENT OF TRANSPORTATION

CONCRETE GUTTER, TYPE B, (SPECIAL)
 (INLET, OUTLET & ENTRANCE)

NOT TO SCALE

SHT. 2 OF 3
 CADD STD. 606201-D4

All dimensions are in inches (millimeters) unless otherwise noted.

F.A.U. RT.E.	SECTION	COUNTY	TOTAL SHEETS	SHEET NO.
6658	10N	PEORIA	120	86
CONTRACT NO. 68A70				
FED. ROAD DIST. NO. ILLINOIS FED. AID PROJECT				