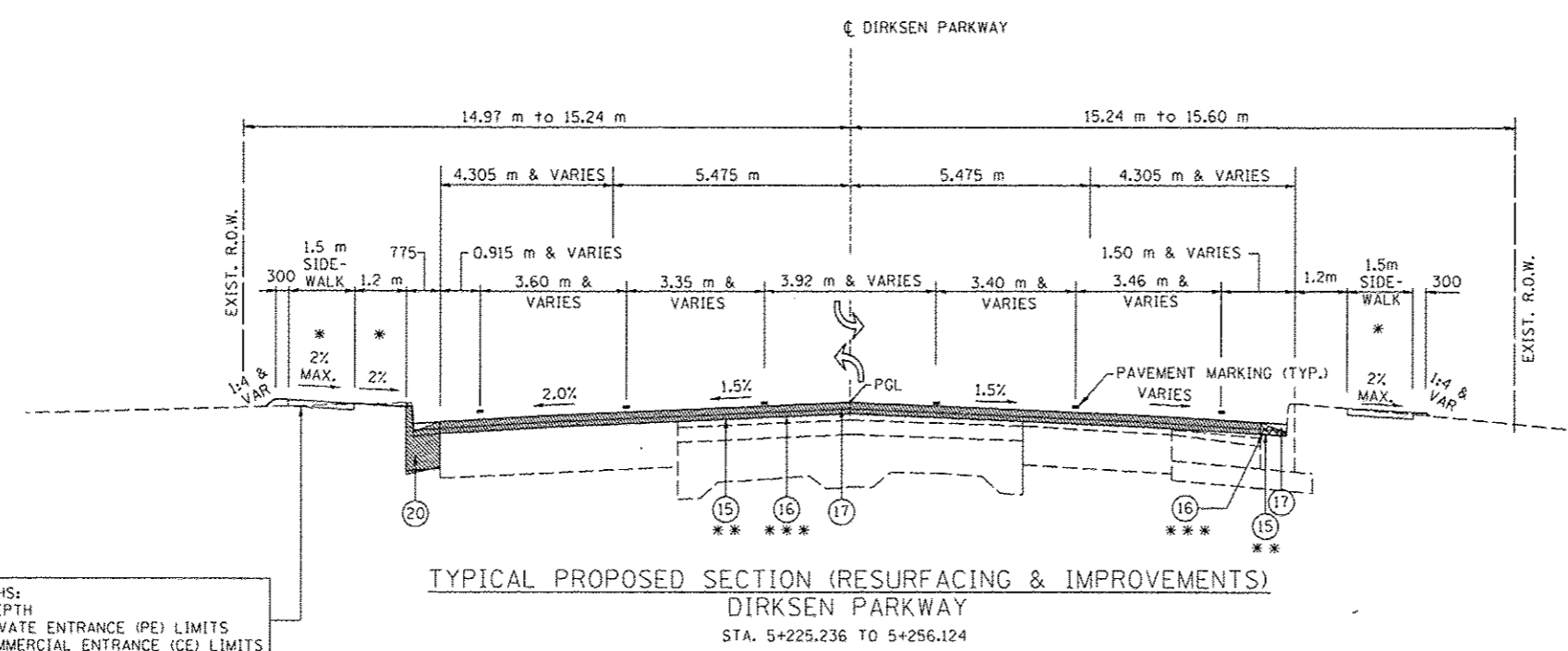


PCC SIDEWALK DEPTHS:  
 100 mm: TYPICAL DEPTH  
 150 mm: WITHIN PRIVATE ENTRANCE (PE) LIMITS  
 200 mm: WITHIN COMMERCIAL ENTRANCE (CE) LIMITS



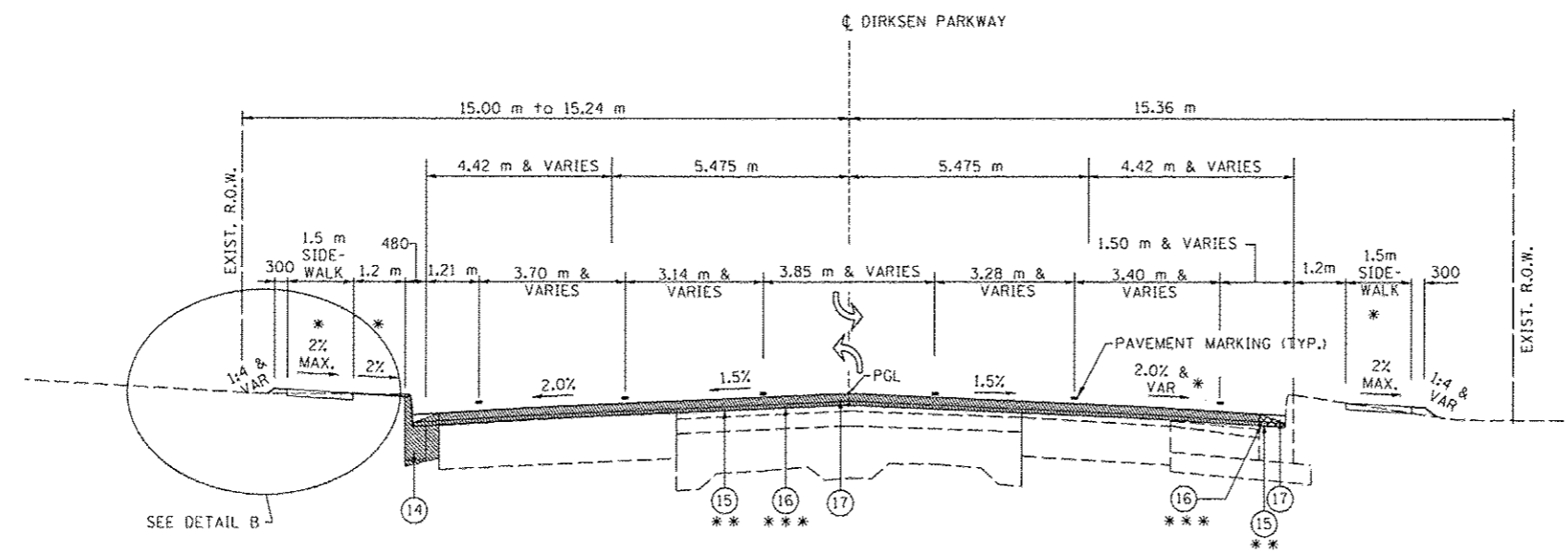
TYPICAL PROPOSED SECTION (RESURFACING & IMPROVEMENTS)  
 DIRKSEN PARKWAY  
 STA. 5+225.236 TO 5+256.124

- ### LEGEND
- EXIST P.C.C. PAVEMENT
  - EXIST BIT CONCRETE SURFACE COURSE, 75 mm
  - EXIST BIT CONCRETE SURFACE COURSE, 38 mm
  - EXIST LEVELING BINDER, 25 mm
  - EXIST BIT BASE COURSE WIDENING 225 mm
  - EXIST BIT BASE COURSE WIDENING 220 mm
  - EXIST BIT SHOULDER 150 mm
  - EXIST BIT SHOULDER 220 mm
  - EXIST SUBBASE GRANULAR MATERIAL, 100 mm
  - EXIST COMBINATION CURB & GUTTER TY B-15.60
  - PROP PAVED SHOULDER REMOVAL
  - PROP SUB-BASE GRANULAR MAT TY A 200 mm
  - PROP BASE COURSE WIDENING, 280 mm
  - PROP COMBINATION CURB & GUTTER TY B-22.30 (SPECIAL)
  - HMA SURFACE REMOVAL, VAR. DEPTH (AVG DEPTH 19 mm)
  - PROP POLYMERIZED LEVELING BINDER (MACHINE METHOD), N70 (VARIABLE DEPTH, MIN DEPTH 19 mm)
  - PROP POLYMERIZED HMA SURFACE COURSE, MIX "D", N70 (38 mm)
  - PROP COMBINATION CURB & GUTTER TY B-15.30
  - STRIP REFLECTIVE CRACK CONTROL TREATMENT
  - PROP COMBINATION CURB & GUTTER TY B-22.60
  - PROP COMBINATION CURB & GUTTER TY B-15.60
  - AGGREGATE BASE COURSE, TYPE A, 200 mm
  - AGGREGATE SHOULDERS, TYPE B 100 mm
  - PROP LEVELING BINDER (MACHINE METHOD), N50 (25 mm)
  - PROP HMA SURFACE COURSE, MIX "C", N50 (38 mm)
  - PROP HMA BINDER COURSE, IL 19.0, N50 (57 mm)
  - POLYMERIZED HMA BINDER COURSE, IL 19.0, N70 (MIN DEPTH 57 mm)

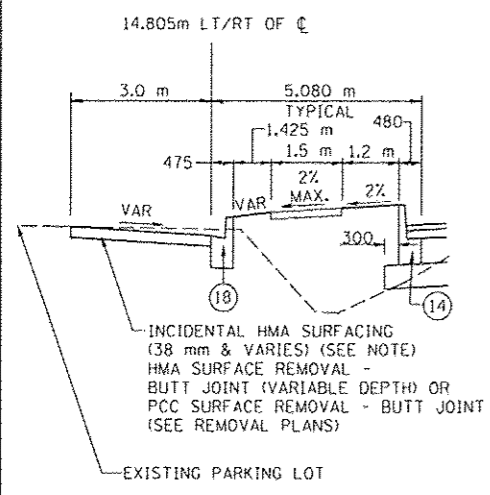
- \* SEE CROSS SECTIONS FOR VARIATION IN SLOPES
- \*\* 57 mm TO BE REMOVED FROM STA. 5+225.236 TO STA. 5+375.000 AND FROM 6+568.467 TO 6+840.00. FROM STA. 5+375.00 TO STA. 5+400.00 THE REMOVAL DEPTH WILL TRANSITION FROM FROM 57 mm TO 19 mm. FROM STA. 6+550.000 TO 6+568.467 THE REMOVAL DEPTH WILL TRANSITION FROM 19 mm TO 57 mm.
- \*\*\* FROM STA. 5+296.000 TO STA. 5+412.500 AND STA. 6+550.000 TO 6+568.467 PROP POLYMERIZED LEVELING BINDER (MACHINE METHOD), N70 (MIN DEPTH 19 mm) SHALL BE UTILIZED. FROM STA. 5+375.00 TO STA. 5+412.500 AND STA. 6+550.000 TO STA. 6+568.467 THE DEPTH OF LEVELING BINDER WILL VARY TO BUILD THE TRANSITION TO AND FROM THE PROPOSED PROFILE RAISE. FROM STA. 5+412.500 TO STA. 6+550.000 POLYMERIZED HMA BINDER COURSE, IL 19.0, N70 (MIN DEPTH 57 mm) SHALL BE UTILIZED AS SHOWN.

NOTE: IF TWO LIFTS OF LEVELING BINDER ARE REQUIRED, THE TOP LIFT SHALL HAVE A MINIMUM THICKNESS OF 38 mm. (57 mm MAX)

AT THE PARKING LOT RESURFACING LOCATIONS (DETAIL B), AGGREGATE BASE COURSE, 150 mm SHALL BE PROVIDED AT SECTIONS WHERE THE EXISTING PAVEMENT SURFACE IS COMPLETELY REMOVED (DEEP CUT SECTIONS) AS NECESSARY. SEE THE CROSS SECTION SHEETS FOR MORE DETAIL.

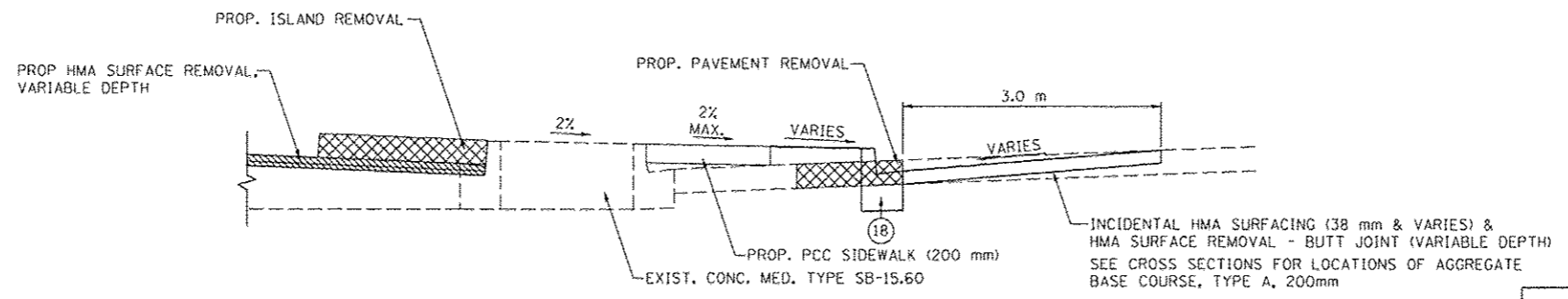


TYPICAL PROPOSED SECTION (RESURFACING & IMPROVEMENTS)  
 DIRKSEN PARKWAY  
 STA. 5+256.124 TO 5+296.000

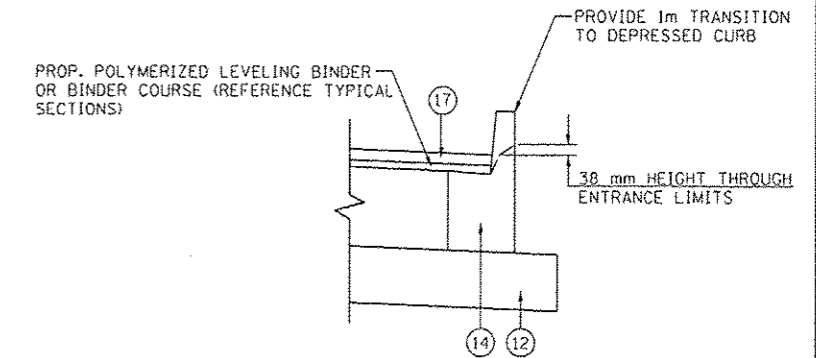


EXISTING PARKING LOT  
 SEE PLAN SHEETS FOR C&G LOCATIONS NEXT TO PARKING LOTS

DETAIL B



EXISTING ISLAND REMOVAL DETAIL  
 DIRKSEN PARKWAY  
 STA. 5+287.50 TO 5+371.94 (RT)



CURB TRANSITION DETAIL

REVISIONS	
NAME	DATE

ILLINOIS DEPARTMENT OF TRANSPORTATION  
 TYPICAL SECTIONS  
 F.A.P. ROUTE 668 (DIRKSEN PARKWAY)  
 SECTION 28R-1  
 SANGAMON COUNTY

SCALE: NONE  
 DATE: 06/2013  
 DRAWN BY: RK  
 CHECKED BY: SEW