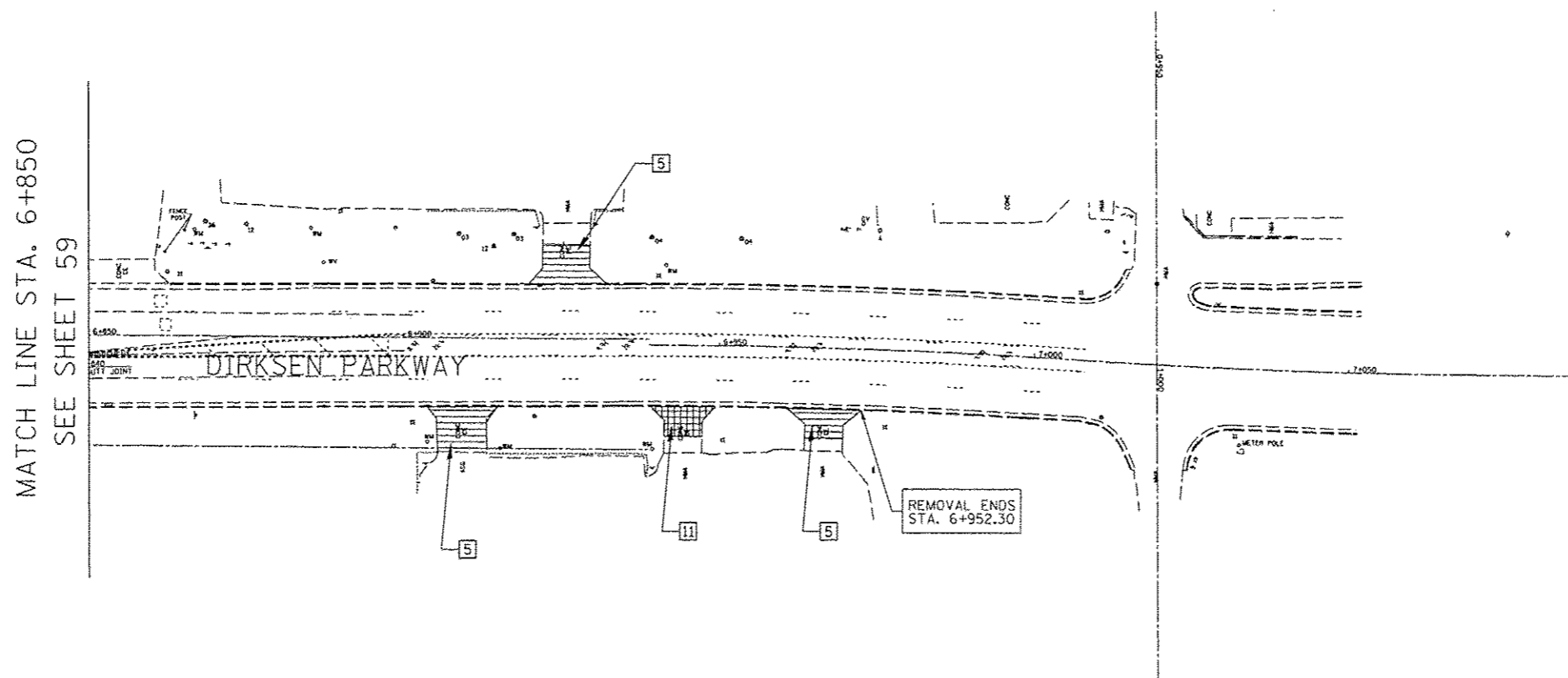


F.A.P. RTE.	SECTION	COUNTY	TOTAL SHEETS	SHEET NO.
668	28R-1	SANGAMON	354	60
STA. 6+600	TO STA. 6+840			
FED. ROAD DIST. NO.	ILLINOIS	FED. AID PROJECT		
CONTRACT NO. 72501				

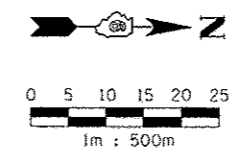


LEGEND FOR REMOVAL ITEMS

- | | | | | | |
|---|--|-------------------------------------|----|--|------------------------------------|
| 1 | | HMA SURFACE REMOVAL, VARIABLE DEPTH | 10 | | CONCRETE HEADWALL REMOVAL |
| 2 | | REMOVING INLETS | 11 | | PAVEMENT REMOVAL |
| 3 | | PAVED SHOULDER REMOVAL | 12 | | STORM SEWER REMOVAL |
| 4 | | ISLAND PAVEMENT REMOVAL | 13 | | REMOVING MANHOLES |
| 5 | | DRIVEWAY PAVEMENT REMOVAL | 14 | | REMOVING CATCH BASINS |
| 6 | | PIPE CULVERT REMOVAL | 15 | | REMOVE EXISTING FLARED END SECTION |
| 7 | | RELOCATE EXISTING MAILBOX | 16 | | HMA SURFACE REMOVAL - BUTT JOINT |
| 8 | | COMBINATION CURB AND CUTTER REMOVAL | 17 | | PCC SURFACE REMOVAL - BUTT JOINT |
| 9 | | TREE REMOVAL | | | |

NOTES:

1. REMOVAL OF AGGREGATE DRIVEWAYS IS INCLUDED IN EARTH EXCAVATION.



REVISIONS		ILLINOIS DEPARTMENT OF TRANSPORTATION REMOVAL ITEMS F.A.P. ROUTE 668 (DIRKSEN PARKWAY) SECTION 28R-1 SANGAMON COUNTY
NAME	DATE	
		SCALE 1 : 500 DATE 06/2013 DRAWN BY RK CHECKED BY FML