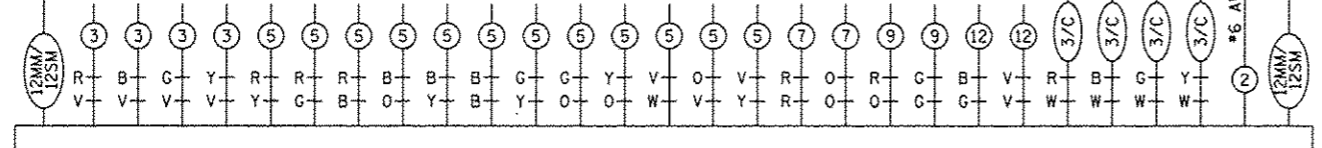
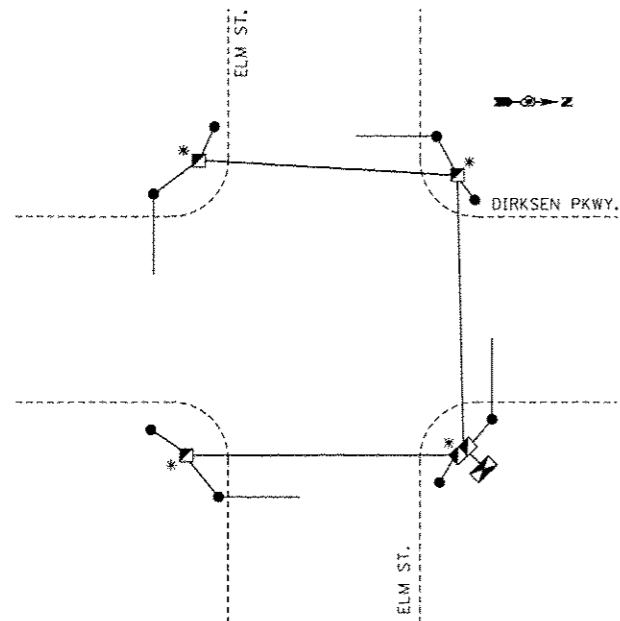
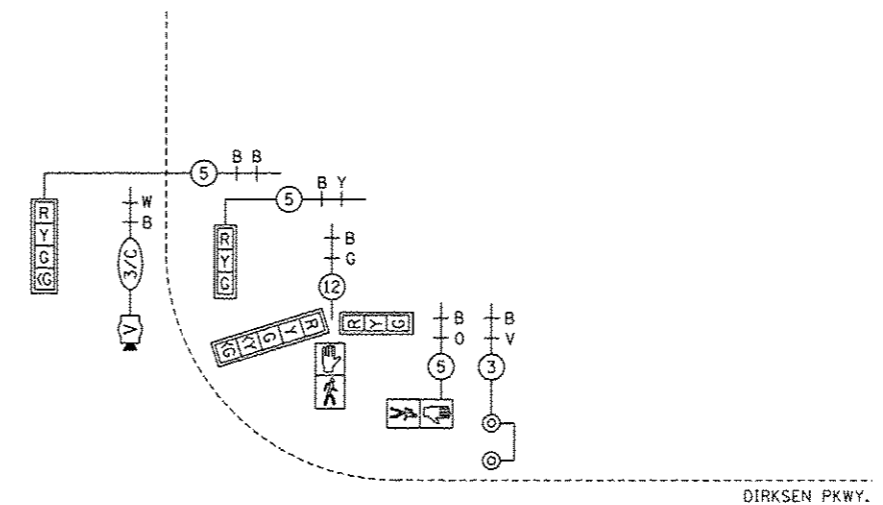
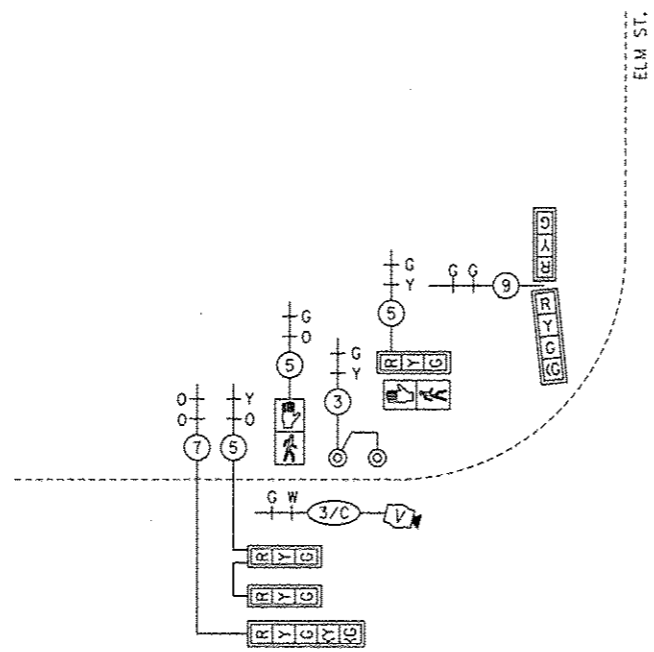


INTERCONNECT TO CLEAR LAKE AVE.

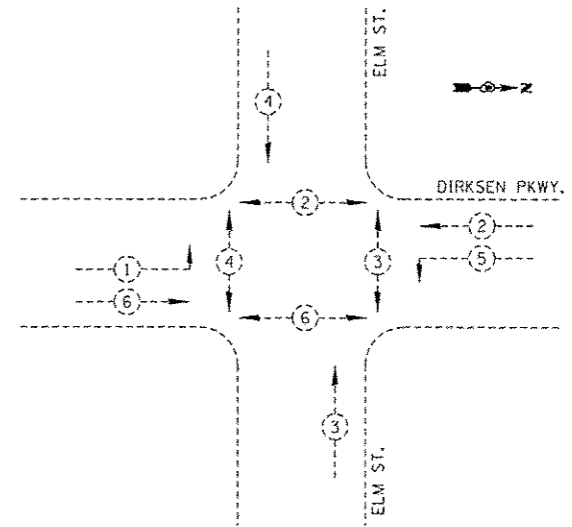
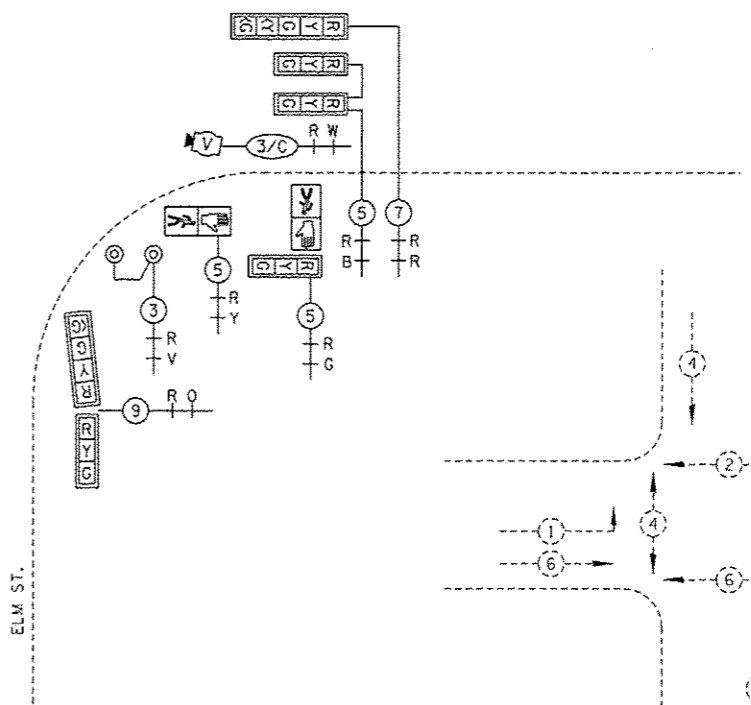
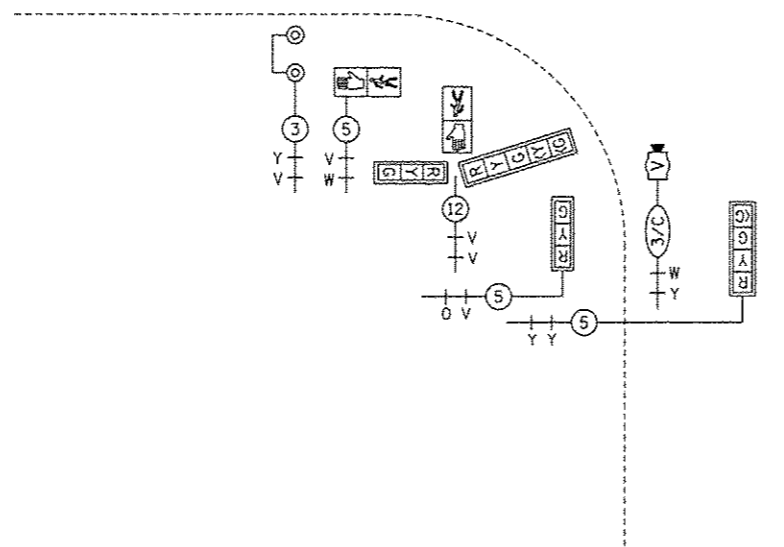
INTERCONNECT TO RIDGE AVE.



PROPOSED CONTROLLER



GROUNDING SCHEMATIC
* GROUNDING CABLE SPLICED BUT NOT BONDED TO COMPOSITE CONCRETE HANDHOLE



PHASE DESIGNATION DIAGRAM

NOT TO SCALE

FILE NAME ...cable.lgdg	USER NAME	DESIGNED	REVISED	STATE OF ILLINOIS DEPARTMENT OF TRANSPORTATION	PROPOSED CABLE PLAN DIRKSEN PKWY. & ELM ST.			F.A.P. R.T.E.	SECTION	COUNTY	TOTAL SHEETS	SHEET NO.
	DESIGNED	DRAWN	REVISED					668	28R-1	SANGAMON	354	158
	PLOT SCALE	CHECKED	REVISED					CONTRACT NO. 72501				
	PLOT DATE	DATE	REVISED					ILLINOIS FED. AID PROJECT				
				SCALE:	SHEET	OF	SHEETS	STA.	TO	STA.		