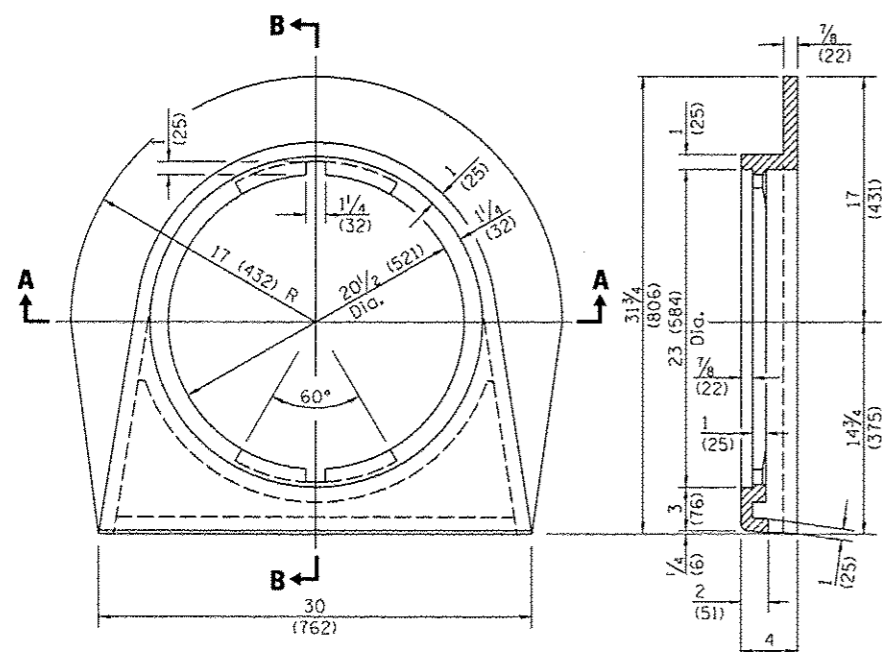
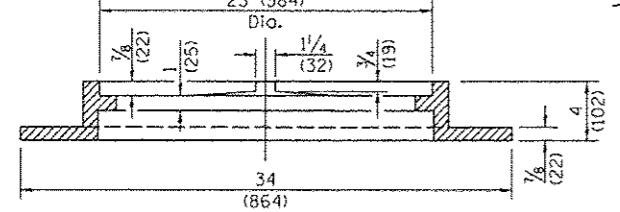


F.A.P. RTE.	SECTION	COUNTY	TOTAL SHEETS	SHEET NO.
668	28R-1	SANGAMON	354	164
STA.		TO STA.		
FED. ROAD DIST. NO.	ILLINOIS	FED. AID PROJECT		
CONTRACT NO. 72501				



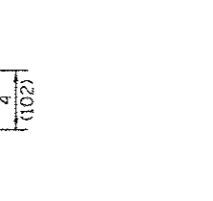
**CAST FRAME**

(GRAY IRON)  
23 (584)  
Dia.



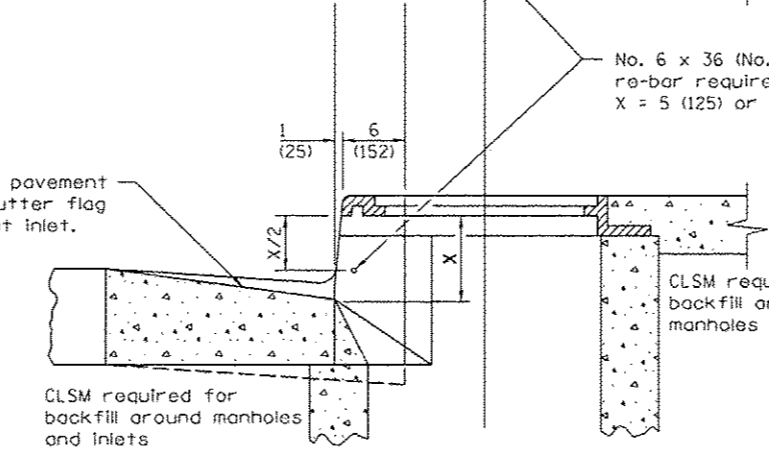
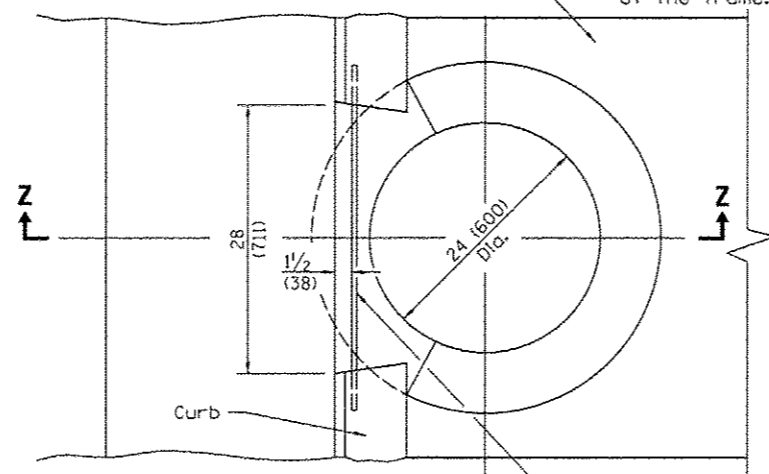
**SECTION A-A**

**SECTION B-B**



6" PCC Slab to be extended 1.2 m behind back of curb or to proposed sidewalk per plan (PCC slab included in cost of Inlet or manhole w/ Type 15 Frame and Lid)

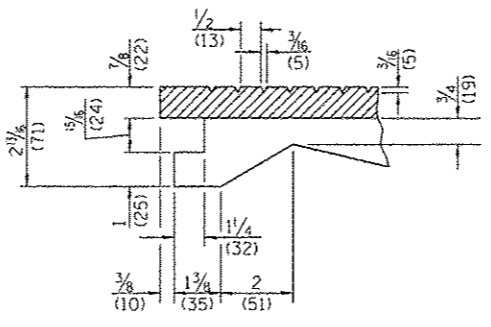
NOTE:  
Warp sloping face of curbs in a distance of 5' (1.5 m) to the cross section shown at the frame.



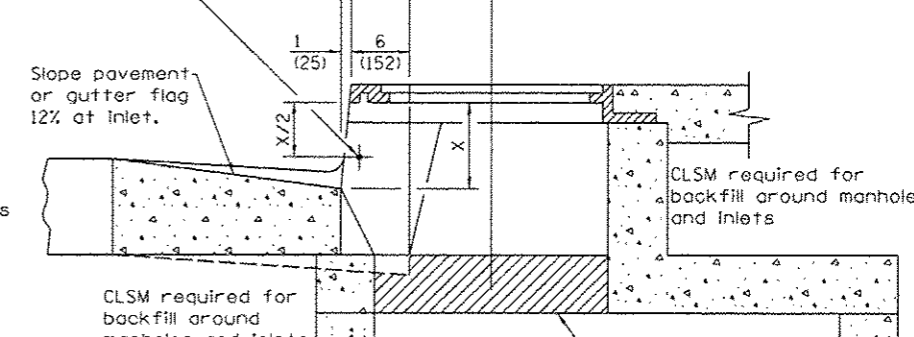
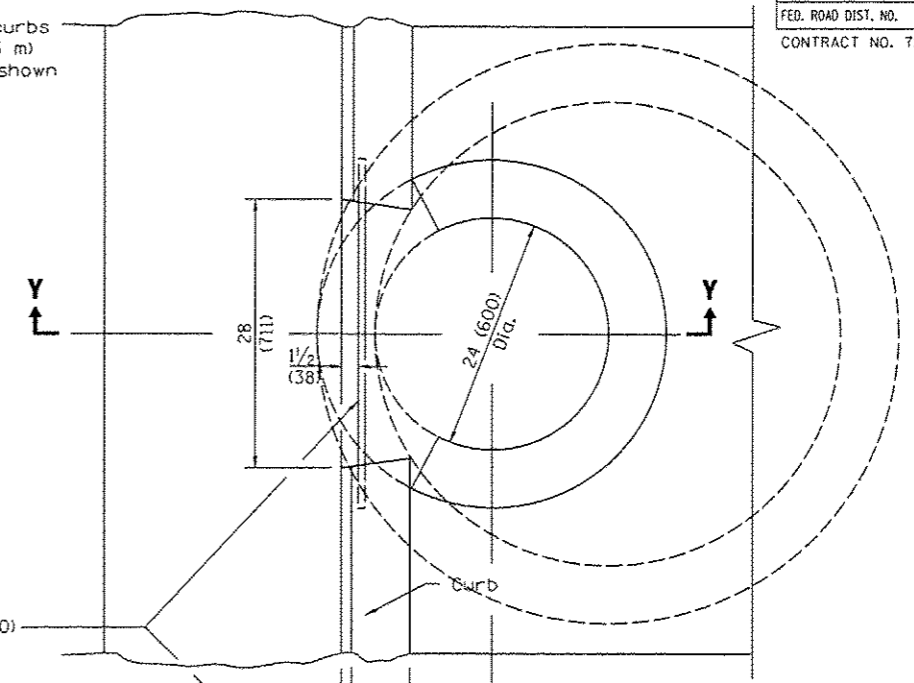
**SECTION Z-Z**

(WITH FRAME)

**CASE II (TYPE 15 FRAME AND LID W/TY A INLET)**



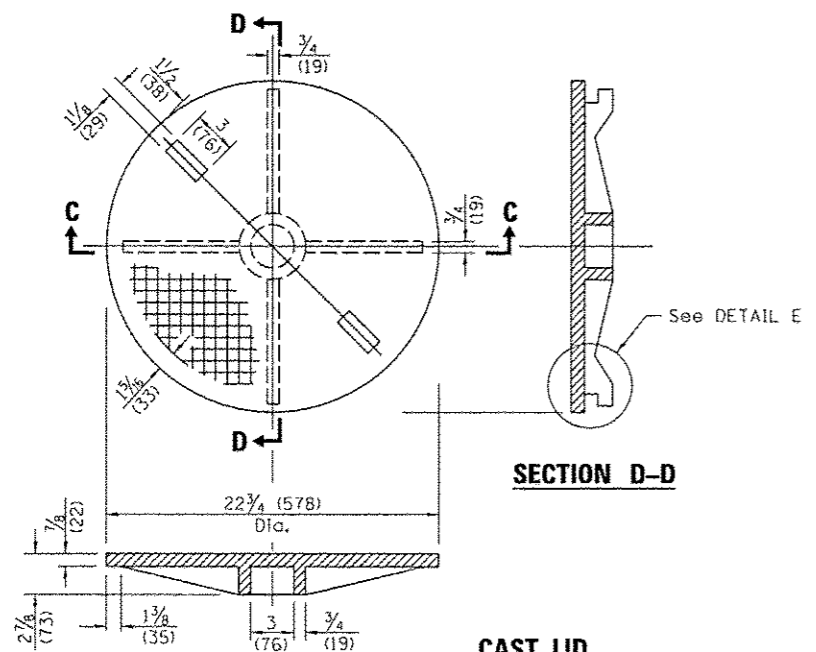
**DETAIL E**



**SECTION Y-Y**

(WITH FRAME)

**CASE I (TYPE 15 FRAME AND LID W/ MANHOLE OR TY B INLET)**



**SECTION C-C**

**CAST LID**

22 3/4 (578)  
Dia.

**SECTION D-D**



See DETAIL E

REVISIONS	
NAME	DATE

ILLINOIS DEPARTMENT OF TRANSPORTATION  
DRAINAGE DETAILS  
FRAME AND LID TYPE 15  
F.A.P. ROUTE 668 (DIRKSEN PARKWAY)  
SECTION 28R-1  
SANGAMON COUNTY  
SCALE NTS  
DATE 06/2013  
DRAWN BY CAD  
CHECKED BY JCN