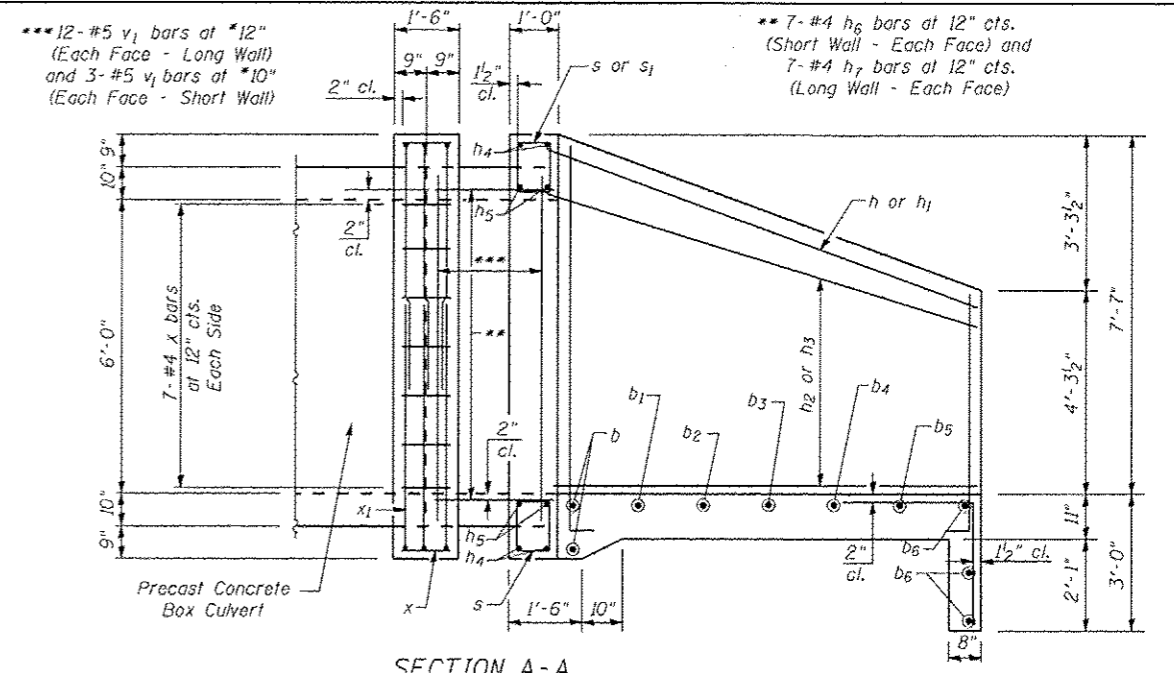
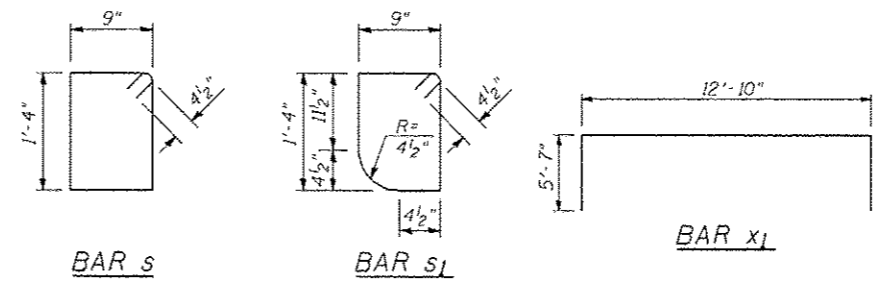


END ELEVATION



SECTION A-A

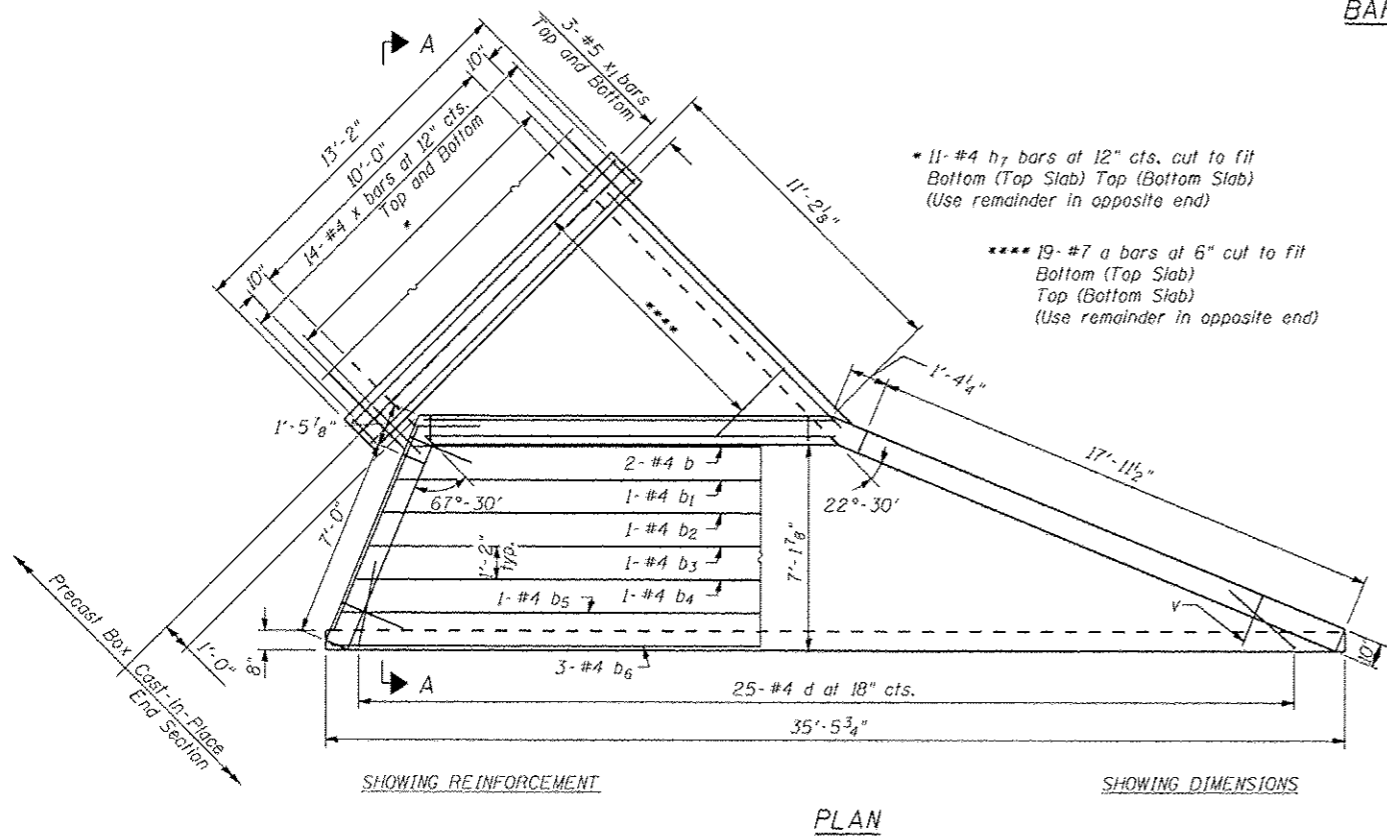
NOTES:
 Bill of Material for 2 end sections.
 Bar dimensions are out to out.
 Not to scale or proper orientation.
 Exposed edges shall be beveled 3/4".
 Headwall at 45° skew to culvert ϕ .
 Minimum bar laps: #5 bar = 2'-2"



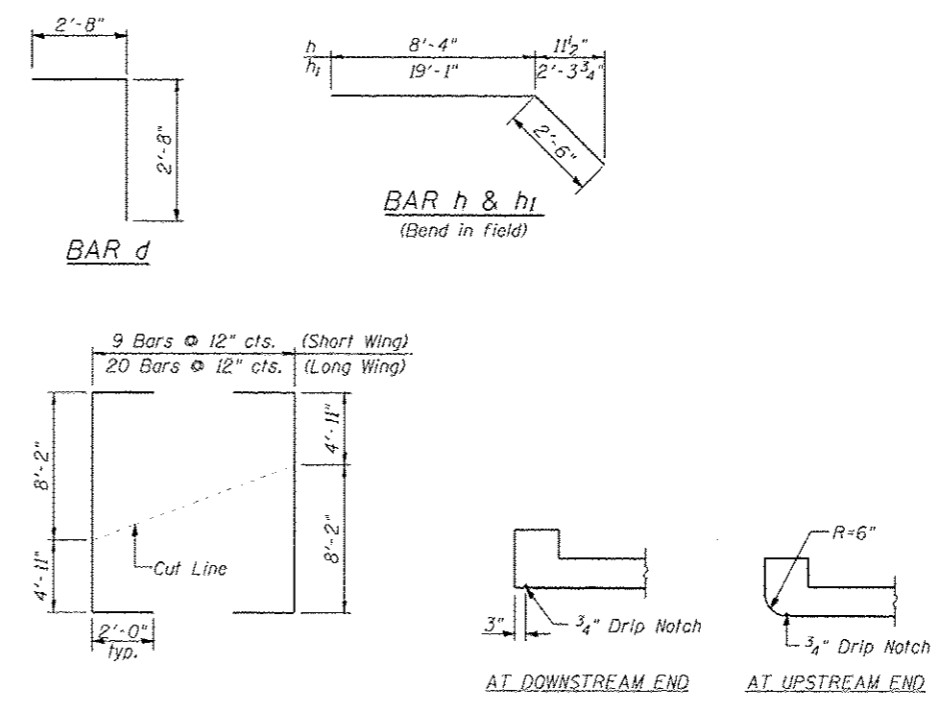
BAR s

BAR s1

BAR x1



PLAN



FIELD CUTTING DIAGRAM

SECTION THRU HEADWALL

BILL OF MATERIAL

Bar	No.	Size	Length	Shape
a	38	#7	11'-4"	
b	4	#4	17'-0"	
b1	2	#4	20'-3"	
b2	2	#4	23'-5"	
b3	2	#4	26'-8"	
b4	2	#4	29'-10"	
b5	2	#4	33'-0"	
b6	6	#4	35'-2"	
d	50	#4	5'-4"	
h	2	#4	10'-10"	
h1	2	#4	21'-7"	
h2	8	#4	8'-2"	
h3	8	#4	19'-0"	
h4	8	#6	14'-3"	
h5	8	#7	14'-3"	
h6	28	#4	1'-10"	
h7	50	#4	11'-9"	
s	45	#4	4'-11"	
s1	15	#4	4'-9"	
v	29	#5	17'-1"	
v1	60	#5	7'-4"	
x	84	#4	1'-2"	
x1	12	#5	24'-0"	
Reinforcement Bars			Pound	3,890
Concrete Box Culverts			Cu. Yd.	47.0
Precast Concrete Box Culverts 10' X 6'			Feet	106

REVISED SHEET 12-27-13