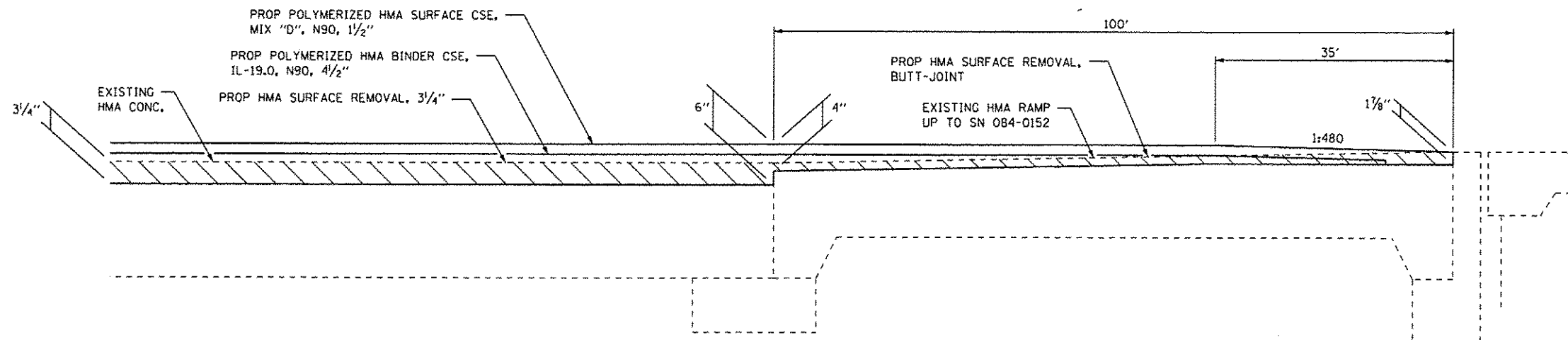


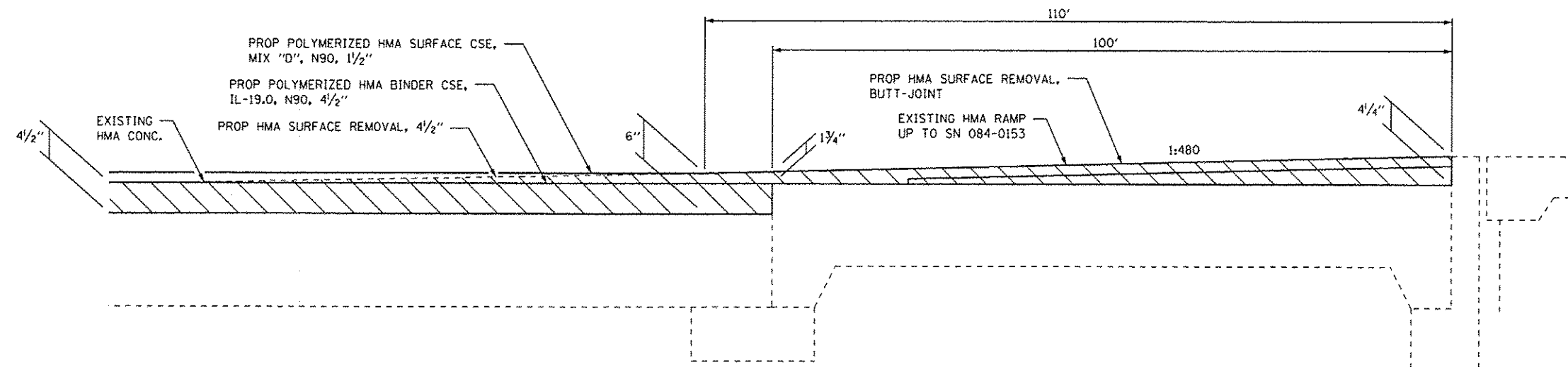
BUTT JOINT DETAIL I-72
STA. 20+48.80 TO 20+78.80 EB & WB

HMA RAMP DETAIL I-72 INTERCHANGE RAMP

- STA. 118+80.80 TO STA. 118+90.80 RAMP A MECHANICSBURG RD.
- STA. 201+54.20 TO STA. 201+64.20 RAMP B MECHANICSBURG RD.
- STA. 318+92.40 TO STA. 319+02.40 RAMP C MECHANICSBURG RD.
- STA. 401+35.20 TO STA. 401+45.20 RAMP D MECHANICSBURG RD.
- STA. 119+32.20 TO STA. 119+42.20 RAMP A TR 420
- STA. 201+37.60 TO STA. 201+47.60 RAMP B TR 420
- STA. 317+83.20 TO STA. 317+93.20 RAMP C TR 420
- STA. 401+37.90 TO STA. 401+47.90 RAMP D TR 420



BUTT JOINT DETAIL WB. W. ABUTMENT, SN 084-0152, I-72
STA. 193+02.00 TO 193+37.00 WB



BUTT JOINT DETAIL EB. W. ABUTMENT, SN 084-0153, I-72
STA. 192+10.00 TO 193+20.00 EB

USER NAME = sparksgv	DESIGNED - BTM	REVISED -
PLOT SCALE = 2.0000" / 1"	DRAWN - BTM	REVISED -
PLOT DATE = Sep-06-2013 08:26:00AM	CHECKED - JSA	REVISED -
	DATE - 12/19/12	REVISED -

STATE OF ILLINOIS
DEPARTMENT OF TRANSPORTATION

BUTT JOINT & RAMP DETAILS

SCALE: SHEET NO. OF SHEETS STA. TO STA.

F.A.I. RTE.	SECTION	COUNTY	TOTAL SHEETS	SHEET NO.
I-72	*	SANGAMON	194	56
* (84-10-11RS-3, (84-10-21RS-4			CONTRACT NO. 72C90	
ILLINOIS FED. AID PROJECT				