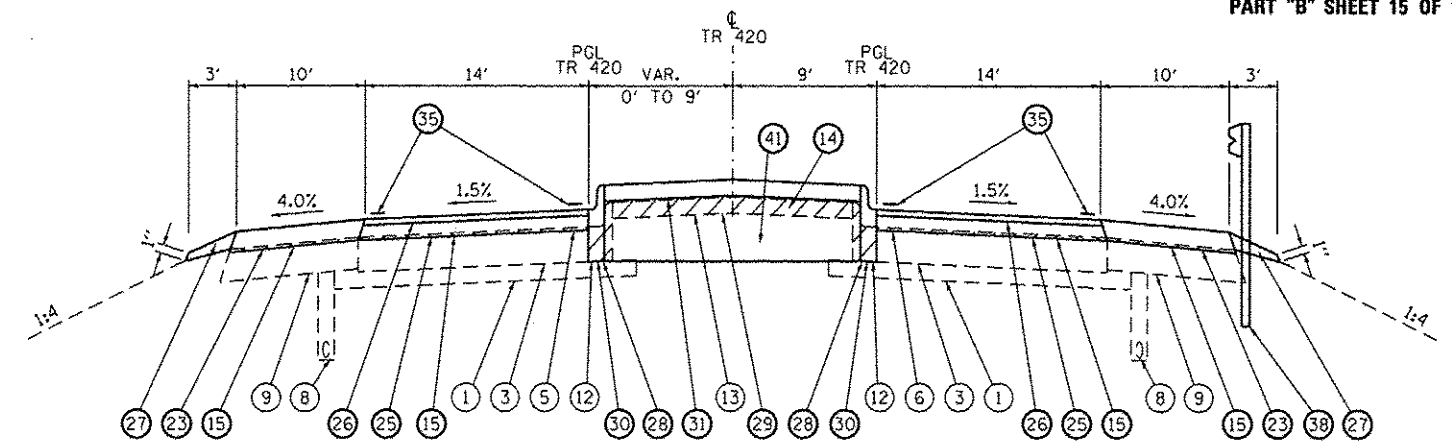
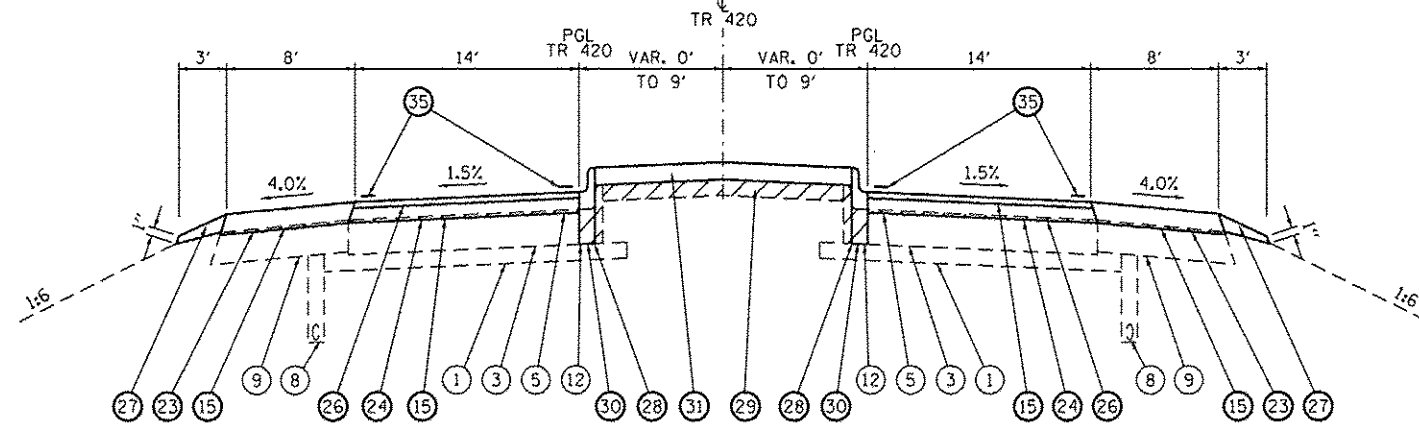


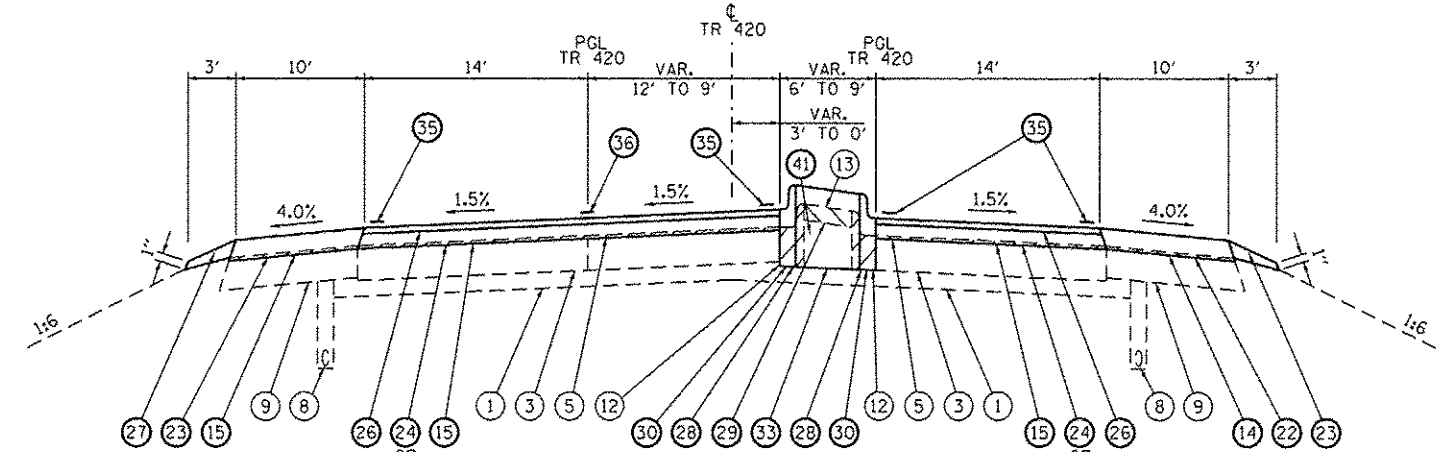
STA. 290+75.00 TO STA. 293+69.30 TR 420  
 STA. 306+03.58 TO STA. 312+50.00 TR 420  
 NOTE: EXISTING CORRUGATED MEDIAN, C-4  
 STA. 309+63 TO 311+37



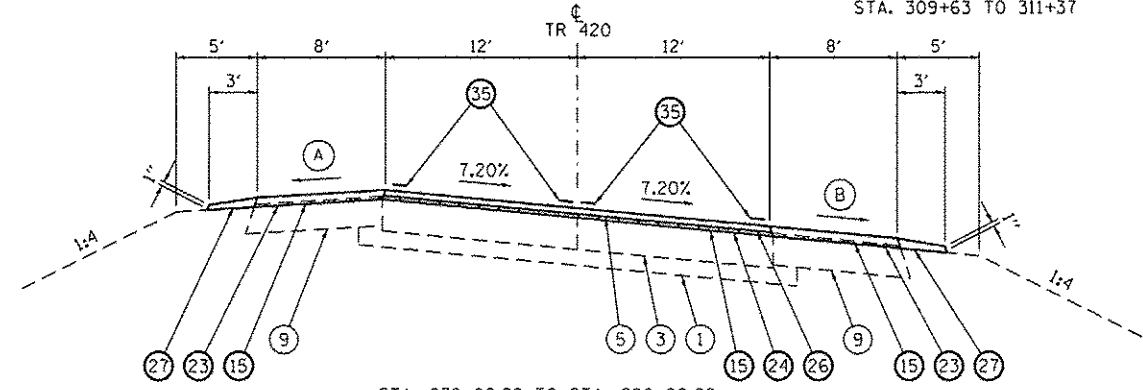
STA. 297+03.30 TO STA. 298+21.40 TR 420  
 BRIDGE OMISSION STA. 298+21.4 TO STA. 301+39.2  
 STA. 301+39.20 TO STA. 302+60.70 TR 420  
 NOTE: PROP. GUARDRAIL ON LEFT SIDE,  
 STA. 301+09.22 TO 302+60.70



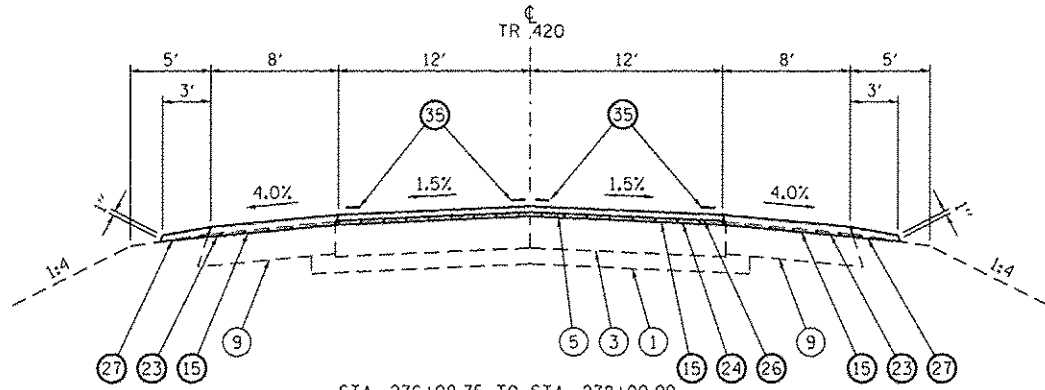
STA. 287+53.00 TO STA. 290+75.00 TR 420  
 STA. 306+03.58 TO STA. 312+50.00 TR 420  
 NOTE: EXISTING CORRUGATED MEDIAN, C-4  
 STA. 287+53 TO 289+33  
 STA. 309+63 TO 311+37



STA. 293+69.30 TO STA. 297+03.30 TR 420  
 STA. 302+60.70 TO STA. 306+03.58 TR 420  
 NOTE: BEGIN PR MEDIAN STA. 294+70  
 END PR MEDIAN STA. 305+05



STA. 278+09.99 TO STA. 286+20.98



STA. 276+08.75 TO STA. 278+09.99  
 STA. 286+20.98 TO STA. 287+53.00

**LEGEND**

- 1 EXISTING STABILIZED SUBBASE 4"
- 2 EXISTING CRCP PAVEMENT 8"
- 3 EXISTING CONCRETE PAVEMENT, 8"
- 4 EXISTING HMA BASE COURSE, 10"
- 5 EXISTING HMA CONCRETE 3/4"
- 6 EXISTING HMA CONCRETE 3/4"
- 7 EXISTING HMA CONCRETE 4 1/4"
- 8 EXISTING UNDERDRAIN
- 9 EXISTING BITUMINOUS SHOULDER, 8 3/4"
- 10 EXISTING BITUMINOUS SHOULDER, 11 1/4"
- 11 EXISTING BITUMINOUS SHOULDER, 12 1/4"
- 12 EXISTING CC&G, TY M-6.12
- 13 EXISTING CONC. MED. SURFACE, 4"
- 14 PROPOSED SUBBASE GRANULAR MATERIAL, TYPE B
- 15 PROPOSED HOT-MIX ASPHALT SURFACE REMOVAL, 3/4"
- 16 PROPOSED HOT-MIX ASPHALT SURFACE REMOVAL, 1 1/2"
- 17 PROPOSED HOT-MIX ASPHALT SURFACE REMOVAL, VAR. DEPTH (2 1/2" MAX.)
- 18 PROPOSED HOT-MIX ASPHALT SURFACE REMOVAL, 3/4"
- 19 PROPOSED POLYMERIZED HOT-MIX ASPHALT BINDER COURSE, IL-19.0, N90, 2 1/4"
- 20 PROPOSED POLYMERIZED HOT-MIX ASPHALT SURFACE COURSE, MIX "D", N90, 1 1/2"
- 21 PROPOSED HOT-MIX ASPHALT SHOULDERS, 2" (W/RUMBLE STRIPS STD. 642001)
- 22 PROPOSED HOT-MIX ASPHALT SHOULDERS, 2 3/4" (W/RUMBLE STRIPS STD. 642001)
- 23 PROPOSED HOT-MIX ASPHALT SHOULDERS, VAR. DEPTH (2" MIN.)
- 24 PROPOSED LEVELING BINDER (MACHINE METHOD), N70, VAR. DEPTH (3/4" MIN. CH 12, 1" MIN. TR 420), 2 1/4" MAX.)
- 25 PROPOSED HOT-MIX ASPHALT BINDER COURSE, IL 19.0, N70, VAR. DEPTH (2 1/4" MIN.)
- 26 PROPOSED HOT-MIX ASPHALT SURFACE COURSE, MIX "C", N70, 1 1/2"
- 27 PROPOSED AGGREGATE WEDGE SHOULDER, TYPE B
- 28 PROPOSED CURB REMOVAL
- 29 PROPOSED MEDIAN SURFACE REMOVAL
- 30 PROPOSED CC&G, TYPE M-6.06
- 31 PROPOSED CONC. MEDIAN SURFACE, 4"
- 32 PROPOSED CORRUGATED MEDIAN
- 33 PROPOSED CONCRETE MEDIAN, TYPE SM 6.06
- 34 PROPOSED MODIFIED URETHANE PAVEMENT MARKING, LINE 5"
- 35 PROPOSED PAINT PAVEMENT MARKING, LINE 5"
- 36 PROPOSED PAINT PAVEMENT MARKING, LINE 6"
- 37 PROPOSED EMBANKMENT
- 38 PROPOSED STEEL PLATE BEAM GUARDRAIL, 6' POSTS
- 39 PROPOSED TOPSOIL
- 40 PROP. HOT-MIX ASPHALT BASE COURSE, 14 1/4"
- 41 PROP. HOT-MIX ASPHALT BASE COURSE, 8 3/4"

**NOTES**

1. MILL TO BARE CONCRETE ON TR 420 MAINLINE PAVEMENT.

USER NAME = sparkgr	DESIGNED - BTM	REVISED -	<b>STATE OF ILLINOIS DEPARTMENT OF TRANSPORTATION</b>	<b>TYPICAL SECTIONS</b>			F.A.I. RTE. 1772	SECTION *	COUNTY SANGAMON	TOTAL SHEETS 194	SHEET NO. 73	
PLOT SCALE = 12.8000' / in.	DRAWN - BTM	REVISED -		SCALE:	SHEET NO.	OF SHEETS	STA.	TO STA.	CONTRACT NO. 72C90			
PLOT DATE = Sep-06-2013 09:06:07AM	CHECKED - JSA	REVISED -		* 184-10-1RS-3, 84-10-2RS-41BR, I ILLINOIS FED. AID PROJECT								
	DATE - 12/19/12	REVISED -		(84-10-1)RS-3 & (84-10-2)RS-4								