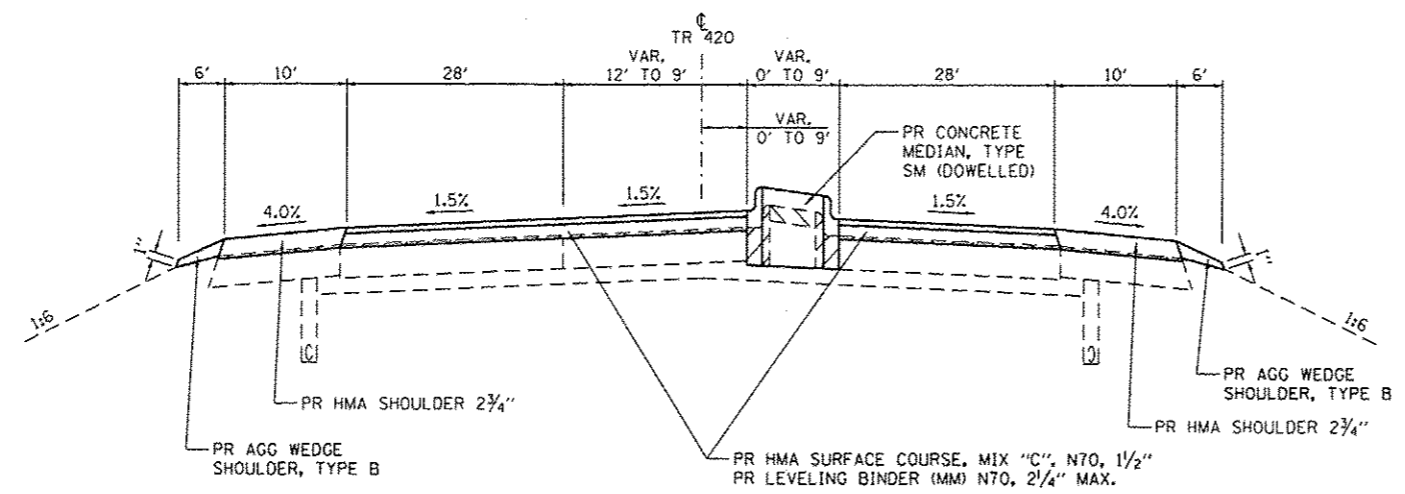
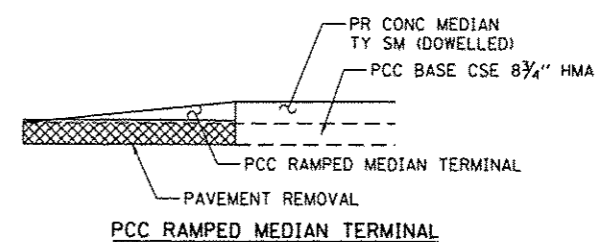
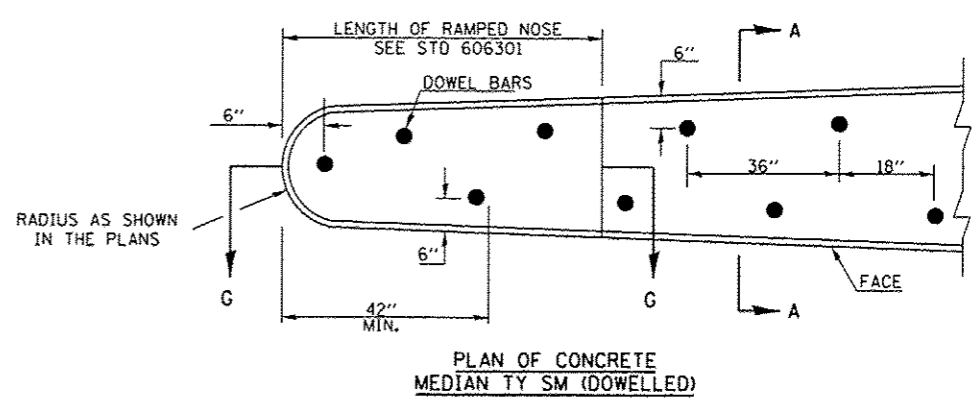
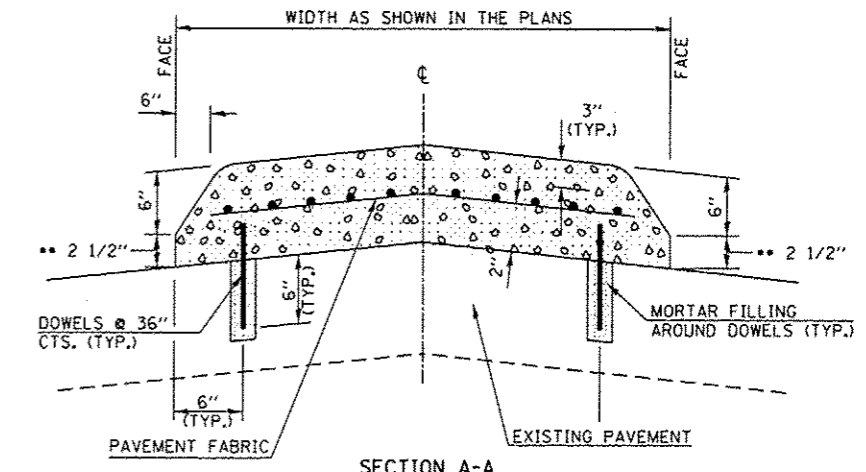


- SEQUENCE OF OPERATIONS**
1. CONSTRUCT CONCRETE MEDIAN TYPE SM (DOWELLED)
 2. REMOVE 6 FOOT OF PCC BASE COURSE 8 3/4" AND CONSTRUCT PCC RAMPED MEDIAN TERMINALS.
 3. MILL EXISTING HMA OVERLAY AT EACH END OF BRIDGE AND BUTT JOINTS.
 4. PLACE LEVELING BINDER, HMA SURFACE COURSE, HMA SHOULDERS, AND AGGREGATE SHOULDERS.
 5. INSTALL PAVEMENT MARKINGS



STA. 294+70 TO STA. 298+21.40 TR 420
 STA. 301+39.20 TO STA. 305+05.00 TR 420



| | | | | | | | | | | | |
|------------------------------------|-----------------|-----------|---|--|---------------------|--------------|---|-----------|-----------------|------------------|---------------|
| USER NAME : sparksgv | DESIGNED - BTM | REVISED - | STATE OF ILLINOIS DEPARTMENT OF TRANSPORTATION | DOWELED MEDIAN DETAIL TR 420 (OVERPASS RD.) - FINAL PHASE | | | F.A.I. RTE. 1722 | SECTION * | COUNTY SANGAMON | TOTAL SHEETS 194 | SHEET NO. 112 |
| PLOT SCALE : 1/80.0000 1" = 100' | CHECKED - JSA | REVISED - | | SCALE: | SHEET NO. OF SHEETS | STA. TO STA. | *184-10-1RS-3,84-10-2RS-4IBR,1 CONTRACT NO. 72C90 | | | | |
| PLOT DATE : Sep-06-2013 09:25:43AM | DATE - 12/19/12 | REVISED - | | ILLINOIS FED. AID PROJECT | | | | | | | |
| (84-10-1,2)RS-3 & (84-10-2)RS-4 | | | | | | | | | | | |

FILE NAME : c:\pwwork\pkidott\sparksgv\08359022\0672C90-SHT-Doweled DT TR 420.dgn