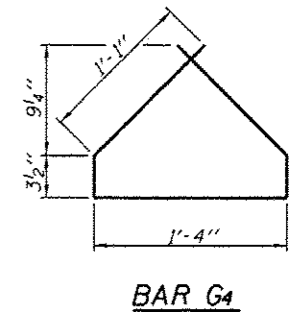
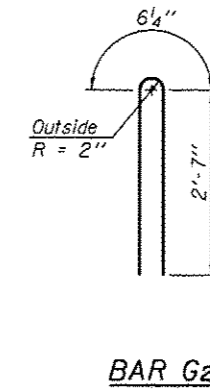
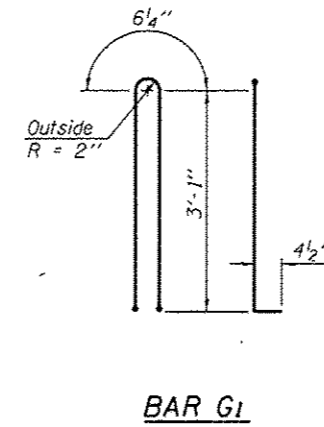
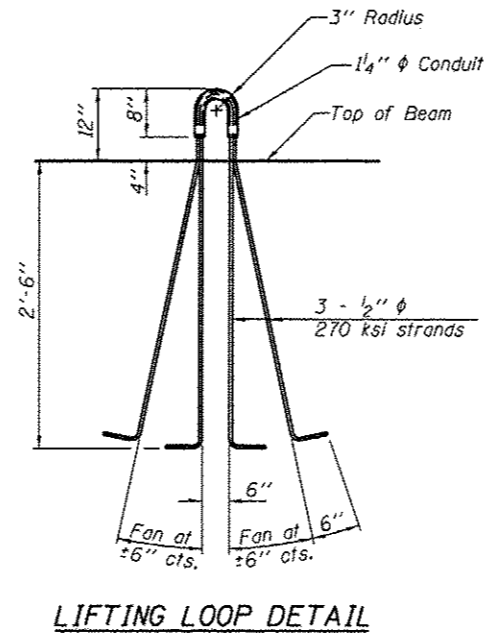
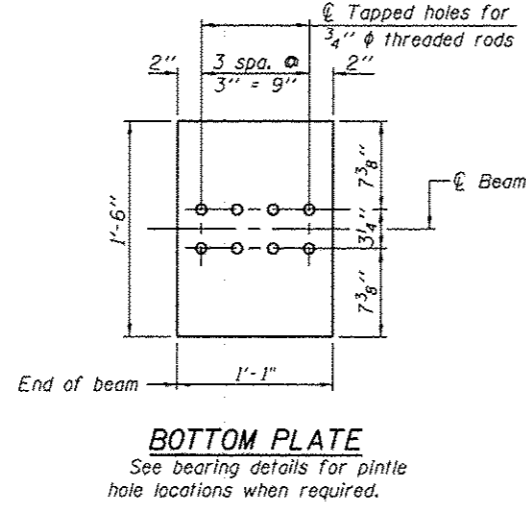
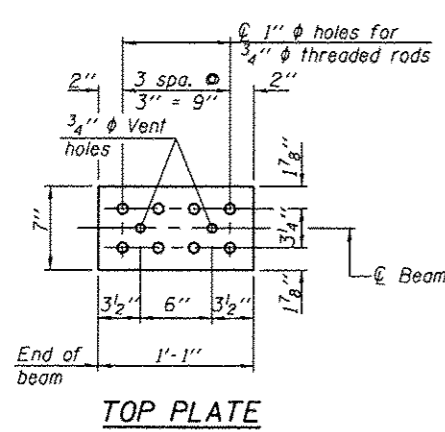


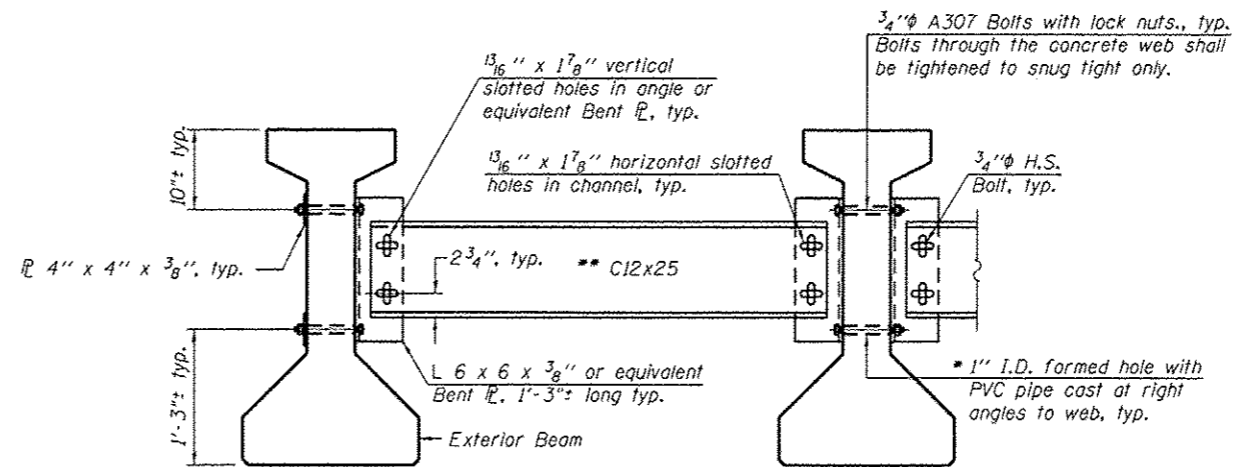
NOTES

Inserts for 3/4" φ threaded dowel rods, when specified, are to be two strut ferrule type for interior beams and single ferrule, flared loop type for exterior beams. Prestressing steel shall be uncoated high strength, low relaxation 7-wire strand, Grade 270. The nominal diameter shall be 1/2" and the nominal cross-sectional area shall be 0.153 sq. in.
 A minimum 2 1/2" φ lifting pin shall be used to engage the lifting loops during handling. The top and bottom plates shall be AASHTO M270 Grade 50. The bottom plates shall be galvanized according to AASHTO M111. Top plates and threaded rods need not be galvanized. Threaded rods shall be ASTM F 1554 Grade 55.



Notes:
 All material for bracing shall be hot dip galvanized according to AASHTO M111 unless otherwise noted.
 Two hardened washers are required for each set of oversized holes.
 All holes shall be 15/16" φ unless otherwise noted.
 5/16" x 3" x 3" plate washers are required over all slotted holes.
 All bolts shall be galvanized according to AASHTO M232.
 Bracing shall be installed as beams are erected and tightened as soon as possible during erection.
 Permanent bracing shall not be paid for separately, but shall be included in the cost of Furnishing and Erecting Precast Prestressed Concrete I-Beams.

- Fabricator shall locate to miss strands within permissible tolerances.
- Alternate C12x30 channels are permitted to facilitate material acquisition.



PERMANENT BRACING DETAILS FOR 36" PPC I-BEAMS

BILL OF MATERIAL

Item	Unit	Total
Furnishing and Erecting Precast Prestressed Concrete I-Beams, 36"	Ft.	370.0

PI-4-36D

1-28-11

FILE NAME = CH12 over FAL-72.dgn
USER NAME =
PLOT SCALE =
PLOT DATE =

DESIGNED - SAL	REVISD -
CHECKED - MTH	REVISD -
DRAWN - TJW	REVISD -
CHECKED - MTH	REVISD -

STATE OF ILLINOIS
 DEPARTMENT OF TRANSPORTATION

36" PPC I-BEAM DETAILS
 MECHANICSBURG RD. OVER F.A.I.-72 - S.N. 084-0150

SHEET NO. 13 OF 27 SHEETS

F.A.I. RTE.	SECTION	COUNTY	TOTAL SHEETS	SHEET NO.
72		SANGAMON	194	125
* (84-10-1RS-3, 84-10-2RS-RIBR, I)				
FED. ROAD DIST. NO. 6 ILLINOIS FED. AID PROJECT				

CONTRACT NO. 72C90