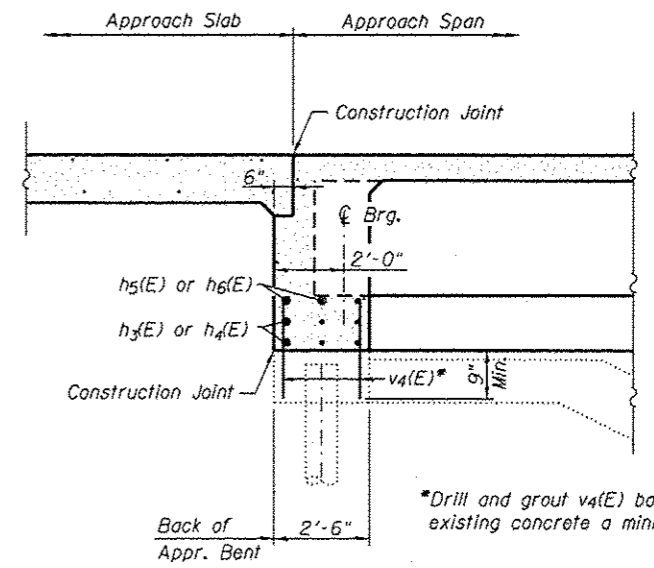


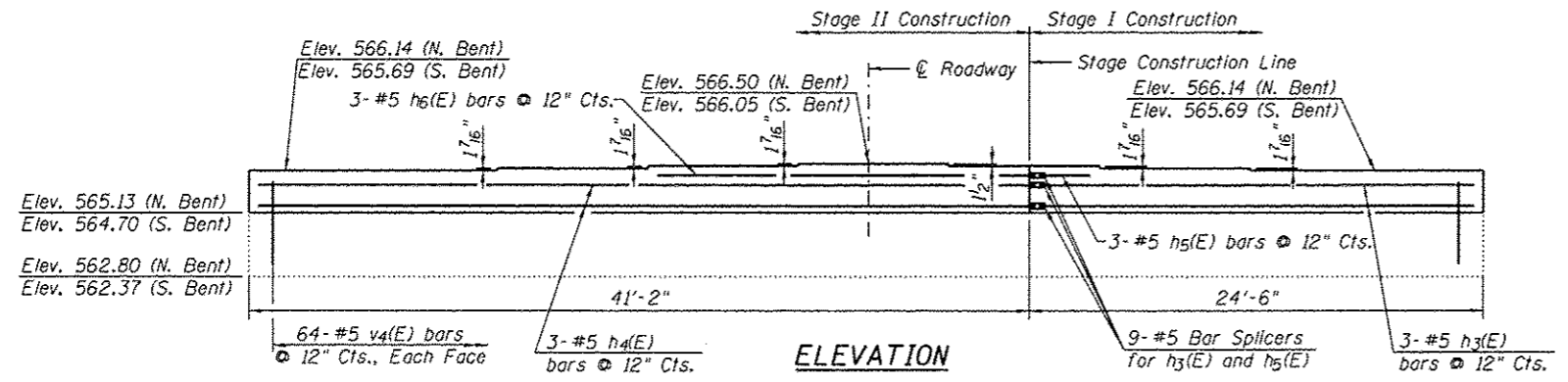
PLAN

See Sheet 20 of 25 for extents of curtain wall to be removed. (Typ.)



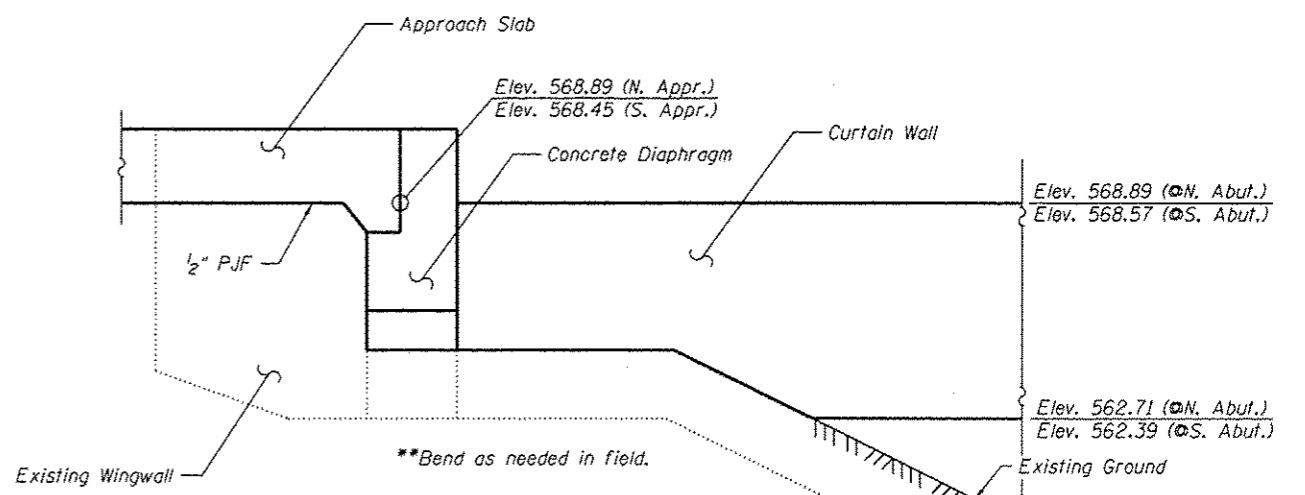
SECTION A-A

*Drill and grout v4(E) bars into existing concrete a minimum of 9".



ELEVATION

(N. Appr. Bent Shown, S. Appr. Bent Similar)
See Sheet 20 of 27 for Beam Seat Elevations.



OUTSIDE ELEVATION OF CURTAIN WALL (Looking East)

Notes:
Existing reinforcement bars extending into the new construction shall be cleaned, straightened and incorporated into the new construction. Cost included with Concrete Removal.
Existing reinforcement bars not extending into the new construction shall be cut off and covered with a 2" layer of cement grout. Cost included with Concrete Removal.

TWO ABUTMENTS
BILL OF MATERIAL

Bar	No.	Size	Length	Shape
h(E)	56	#5	24'-9"	—
h3(E)	24	#5	24'-2"	—
h4(E)	24	#5	40'-10"	—
h5(E)	8	#5	3'-2"	—
h6(E)	8	#5	20'-0"	—
v5(E)	264	#5	2'-4"	—
v6(E)	256	#5	4'-2"	—

TWO APPROACH BENTS
BILL OF MATERIAL

Bar	No.	Size	Length	Shape
h3(E)	12	#5	24'-2"	—
h4(E)	12	#5	40'-10"	—
h5(E)	6	#5	3'-2"	—
h6(E)	6	#5	20'-0"	—
h7(E)	88	#5	6'-8"	—
v4(E)	256	#5	1'-9"	—
v7(E)	56	#5	6'-9"	—

BILL OF MATERIAL

Item	Unit	Total
Concrete Structure	Cu. Yd.	78.5
Reinforcement Bars, Epoxy Coated	Sq. Yd.	7450
Bar Splicers	Each	50