

**EXISTING PIER BEARING REMOVAL**

**JACK AND REMOVE EXISTING BEARING PROCEDURE**

(Center Pier)

1. The Contractor shall submit for approval by the Engineer, plans for jacking existing beams and installing new bearings prior to commencing any related work.
2. Jacking and removing existing bearings shall be done after existing concrete deck is removed and prior to pouring the concrete deck.
3. Prior to ordering any material, the Contractor shall verify shim plate thickness required at each bearing so that total height of new bearing and fill matches height of existing bearing and shim.
4. There shall be at least one jack per bearing, and the Jack shall be placed close to the bearings.
5. For limitations on lift amounts, see Special Provisions.
6. The new bearing shall be in place and the jacks shall be lowered before the new concrete deck is poured. Existing diaphragms to be unbolted due to differential deflections during stage construction.
7. Jacking against diaphragms is prohibited.
8. Cross frames are to be removed at the stage line prior to jacking and re-installed prior to the final deck pour.
9. Re-bolt existing diaphragms after completion of Stage III deck pour.

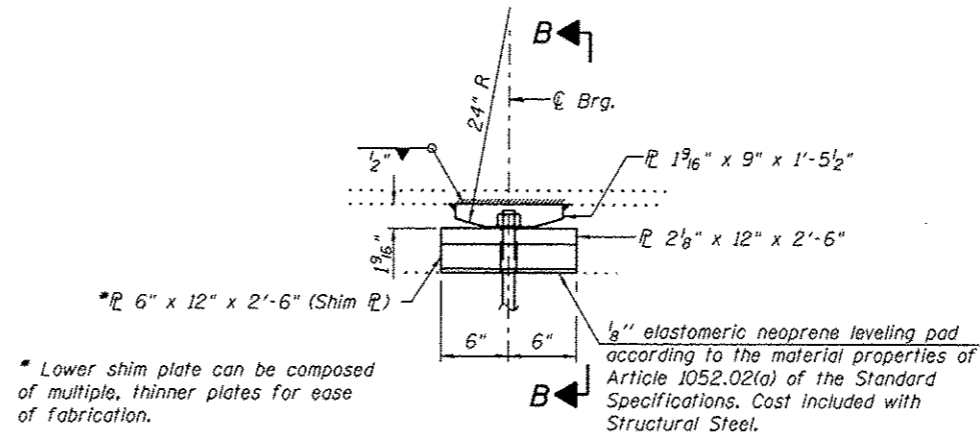
Prior to ordering any material, the Contractor shall verify in the field all bearing height and shim thickness dimensions.

**BEAM REACTIONS**

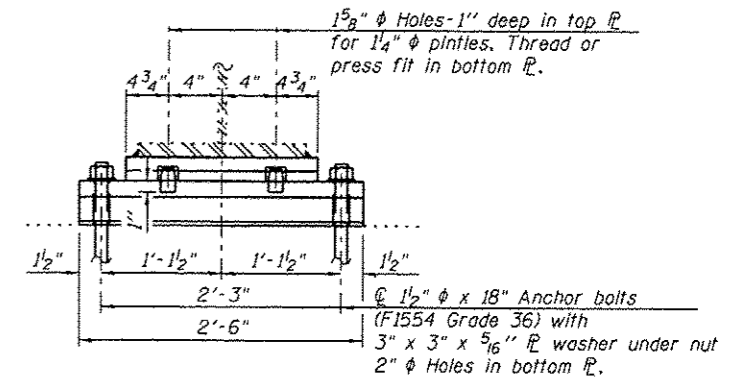
(Steel only)

RP	(k)	38
----	-----	----

Min. Jack Capacity = 30 Ton (Without Deck)

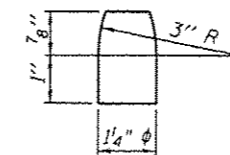


**ELEVATION AT PIER**



**SECTION B-B**

**FIXED BEARING**



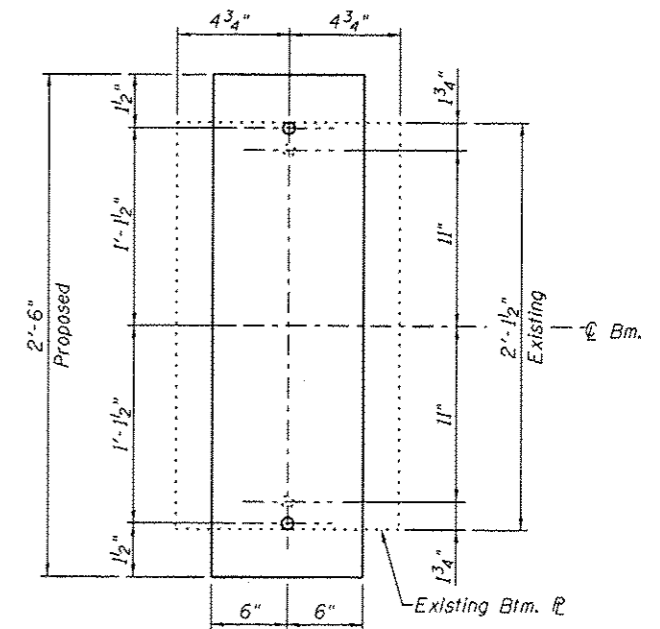
**PINTLE**

**Notes:**

Anchor bolts shall be ASTM F1554 all-thread (or an Engineer-approved alternate material) of the grade(s) and diameter(s) specified. The corresponding specified grade of AASHTO M314 anchor bolts may be used in lieu of ASTM F1554.

Anchor bolts at fixed bearings shall be installed in holes drilled after the supported member is in place. Drilled and set anchor bolts shall be installed according to Article 521.06 of the Standard Specifications.

Two 1/8" adjusting shims shall be provided for each bearing in addition to all other plates or shims and placed as needed and as shown on bearing details.



**ANCHOR BOLT LAYOUT**

Note: Some elements not to scale for clarity.

**BILL OF MATERIAL**

Item	Unit	Total
Furnishing and Erecting Structural Steel	Pound	8230
Anchor Bolts, 1 1/2"	Each	18
Jacking Existing Superstructure	L. Sum	1