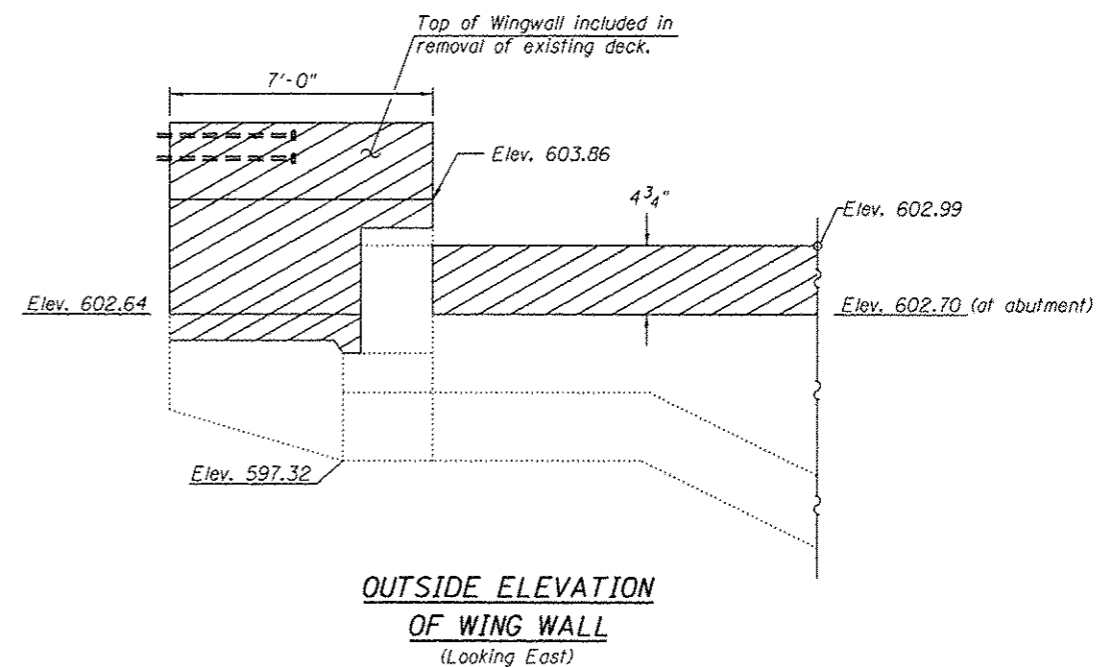
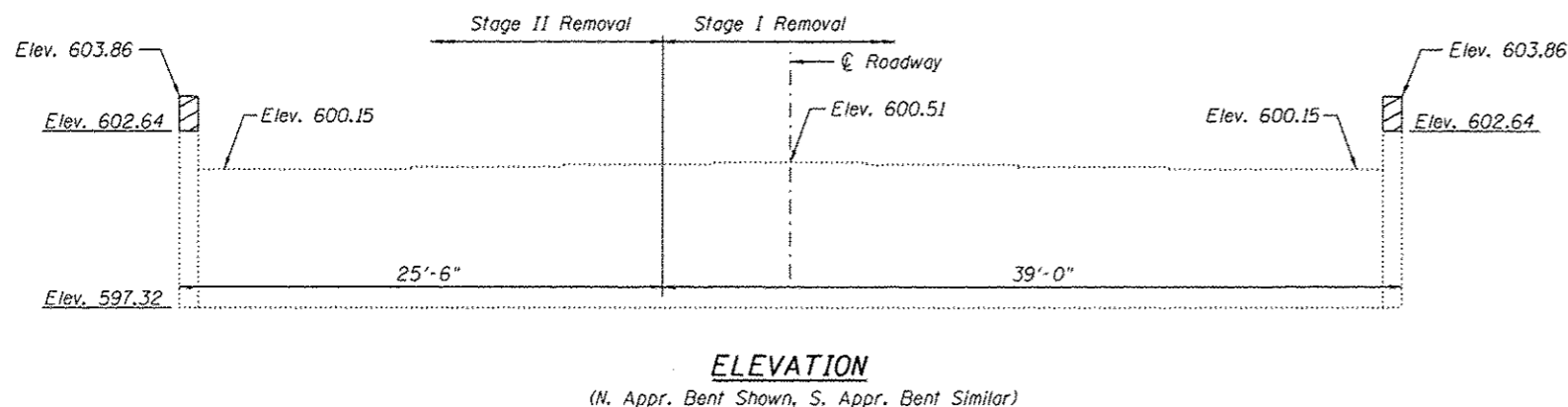


See Sheet 18 of 25 for extents of curtain wall to be removed, (Typ.)



Notes:
 Hatched area indicates Concrete Removal.
 Existing reinforcement bars extending into the new construction shall be cleaned, straightened and incorporated into the new construction. Cost included with Concrete Removal.
 Existing reinforcement bars not extending into the new construction shall be cut off and covered with a 2" layer of cement grout. Cost included with Concrete Removal.
 Elevations based off a datum difference of -0.49' from existing plans.

BILL OF MATERIAL

Item	Unit	Total
Concrete Removal	Cu. Yd.	2.6

FILE NAME : TR420 over FAL-72.dgn

USER NAME :

DESIGNED - SAL

REVISED -

CHECKED - MTH

REVISED -

PLOT SCALE :

DRAWN - TJW

REVISED -

PLOT DATE :

CHECKED - MTH

REVISED -

STATE OF ILLINOIS
DEPARTMENT OF TRANSPORTATION

CONCRETE REMOVAL, APPROACH BENTS
OVERPASS RD. (TR-420) OVER F.A.I.-72 - S.N. 084-0154

SHEET NO. 19 OF 25 SHEETS

F.A.I. RTE.	SECTION	COUNTY	TOTAL SHEETS	SHEET NO.
72		SANGAMON	194	166
• (84-10-1RS-3, 84-10-2RS-RIBR,I				
FED. ROAD DIST. NO. 6 ILLINOIS FED. AID PROJECT				

CONTRACT NO. 72C90