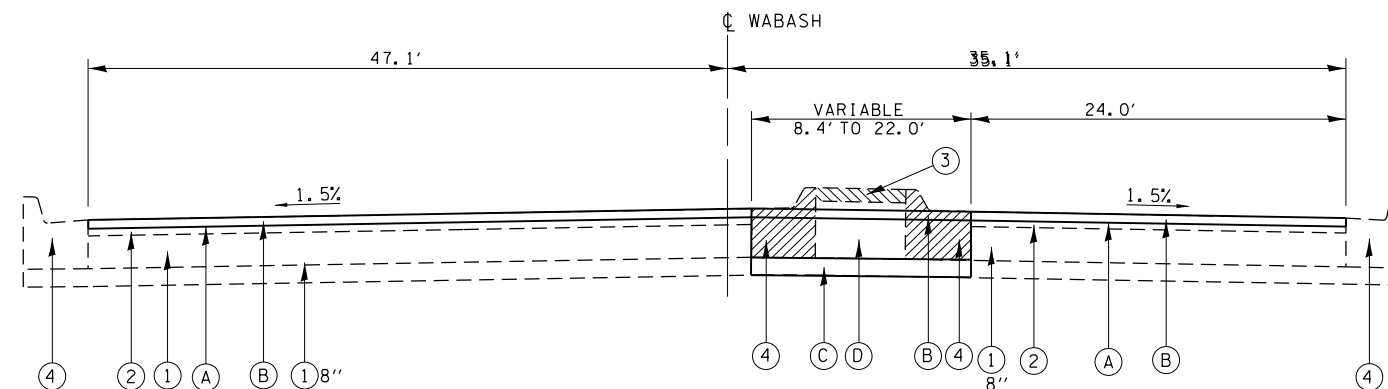


**STA 540+44 TO STA 548+46**

\* - EXISTING RAISED CONCRETE MEDIAN  
STA 540+44.2 TO STA. 547+73.6

- PR COMBINATION CURB & GUTTER REMOVAL  
STA. 542+49.07 TO STA. 546+47.59
- PR CONCRETE MEDIAN SURFACE REMOVAL  
STA. 542+49.07 TO STA. 546+47.59

NOTE:  
SEE STRIPING DETAIL FOR LAYOUT OF PAVEMENT  
MARKINGS FOR THRU LANES, TURNING LANES,  
ISLANDS, ETC.



**STA 548+46 TO STA 549+97**

- PR COMBINATION CURB & GUTTER REMOVAL  
STA. 548+45.87 TO STA. 550+53.36
- PR CONCRETE MEDIAN SURFACE REMOVAL  
STA. 548+45.87 TO STA. 550+53.36

**EXISTING LEGEND**

- ① PCC PAVEMENT
- ② HMA SURFACE, 3 1/2" MINIMUM & VARIABLE
- ③ CONCRETE MEDIAN
- ④ CURB & GUTTER

**PROPOSED LEGEND**

- Ⓐ HOT-MIX ASPHALT SURFACE REMOVAL, VARIABLE DEPTH (1 1/2" @  $\phi$ )
- Ⓑ POLYMERIZED HOT-MIX ASPHALT SURFACE COURSE, MIX "E", N70, 1 1/2 "
- Ⓒ SUB-BASE GRANULAR MATERIAL, TY B (DEPTH = 4")
- Ⓓ BASE COURSE (OPTION), (10 1/2" DEPTH)
- Ⓔ ITEM OMITTED
- Ⓕ PAVEMENT MARKING 5"
- Ⓖ COMBINATION CONCRETE CURB & GUTTER, TYP B-6.24
- Ⓗ CONCRETE MEDIAN SURFACE, 4"

|   |                                    |                   |           |   |  |  |  |                           |          |                    |              |           |
|---|------------------------------------|-------------------|-----------|---|--|--|--|---------------------------|----------|--------------------|--------------|-----------|
| FILE NAME =   | USER NAME = sparksgw               | DESIGNED - RTS    | REVISED - | <b>STATE OF ILLINOIS<br/>DEPARTMENT OF TRANSPORTATION</b> | <b>TYPICAL CROSS SECTIONS</b>            |  |  | F.A.P. RTE.               | SECTION  | COUNTY             | TOTAL SHEETS | SHEET NO. |
| et:\pw\work\p\dot\sparksgw\10296742\07229-sht-typical.dgn | DRAWN - RTS                        | REVISED -         | 664       |   |  |  |  | .                         | SANGAMON | 126                | 29           |           |
| Default   | PLOT SCALE = 100.0000' / in.       | CHECKED -         | REVISED - |   | SCALE: SHEET 5 OF 11 SHEETS STA. TO STA. |  |  | ILLINOIS FED. AID PROJECT |          | CONTRACT NO. 72F29 |              |           |
|   | PLOT DATE = Nov-08-2013 12:08:20PM | DATE - 10-11-2013 | REVISED - |   | (G)RS-15,TS-9,(2)RS-9,TS-2               |  |  |                           |          |                    |              |           |