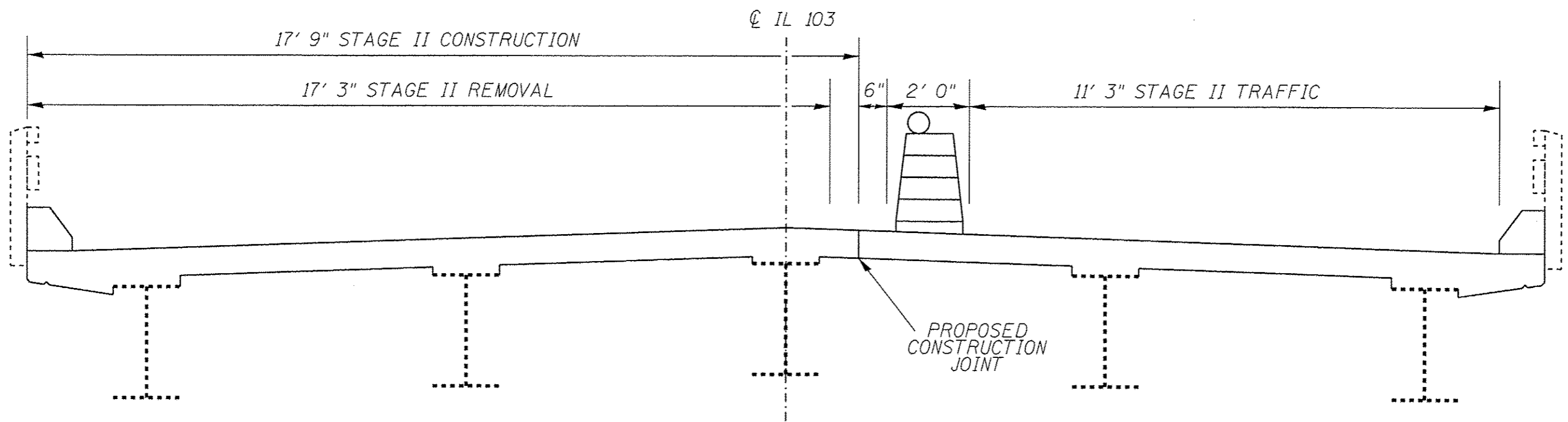


STAGE I CROSS SECTION (LOOKING WEST)



STAGE II CROSS SECTION (LOOKING WEST)

STAGING DETAIL
FAP 612 (IL 103)
SECTION (101) I-2
SCHUYLER COUNTY