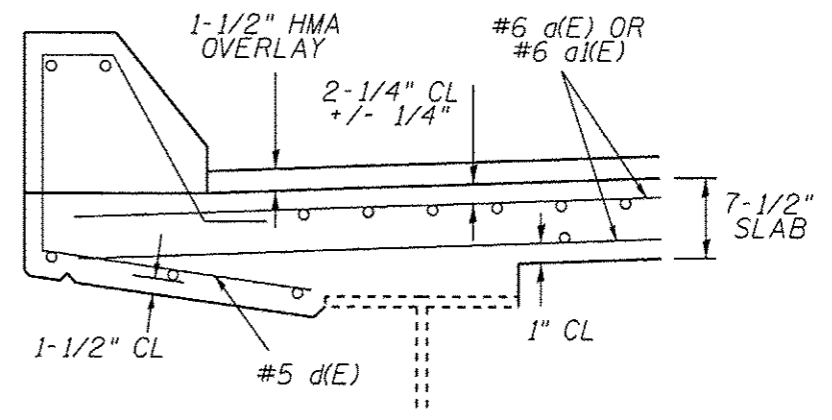
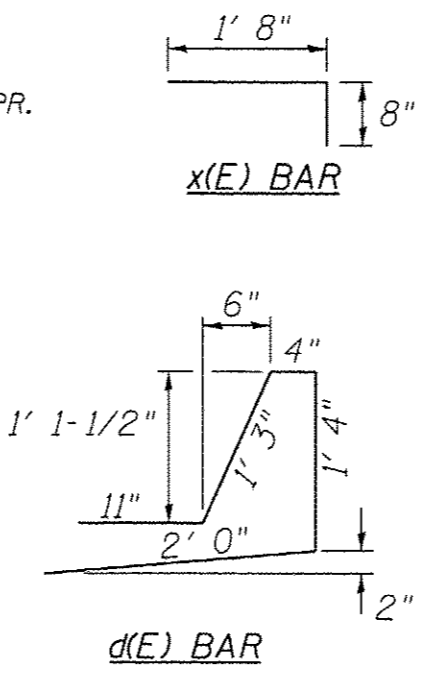
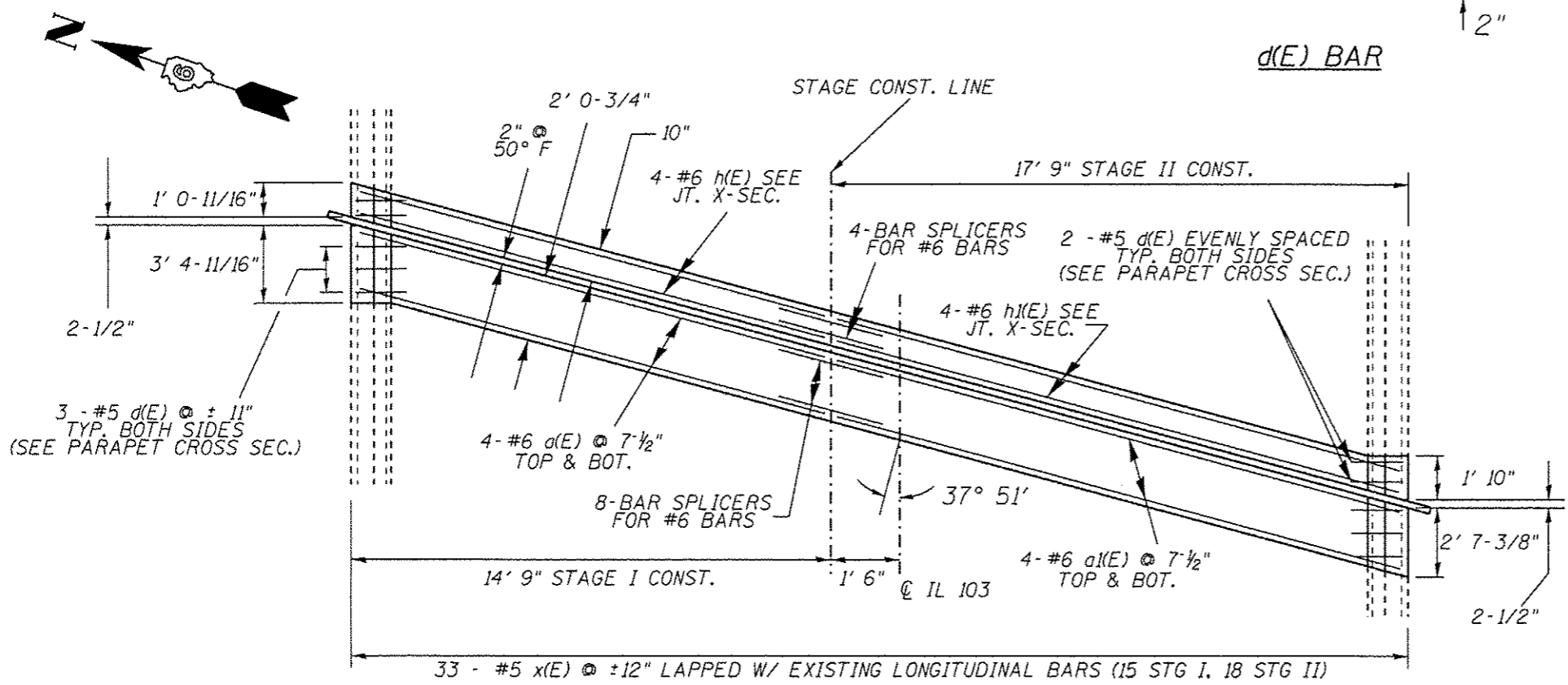


EAST ABUTMENT JOINT CROSS SECTION
(HORIZ. DIM. @ RIGHT ANGLES TO JOINT)



TYPICAL PARAPET CROSS SECTION



EAST ABUTMENT JOINT PLAN

BILL OF MATERIAL				
BAR	#	SIZE	LENGTH	SHAPE
d(E)	8	#6	18' 4"	—
a(E)	8	#6	22' 1"	—
d(E)	10	#5	5' 10"	⌋
h(E)	4	#6	18' 4"	—
h(E)	4	#6	22' 1"	—
x(E)	33	#5	2' 4"	⌋
REINFORCEMENT BARS (EPOXY COATED)		POUND	880	
CONC. SUPERSTRUCTURE		CU YD	6	
CONC. REMOVAL		CU YD	6	
BAR SPLICERS		EACH	12	

EXPANSION JOINT DETAILS
FAP 612 (IL 103)
SECTION (101) I-2
SCHUYLER COUNTY