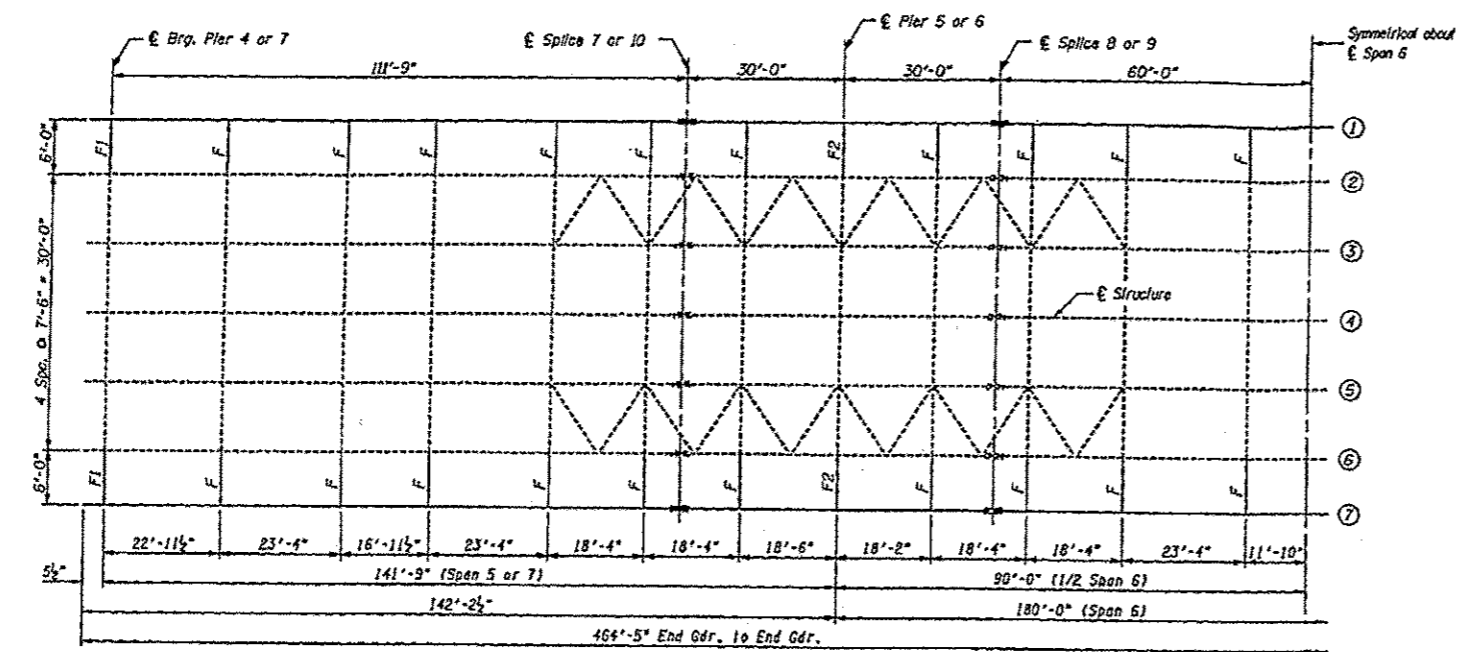
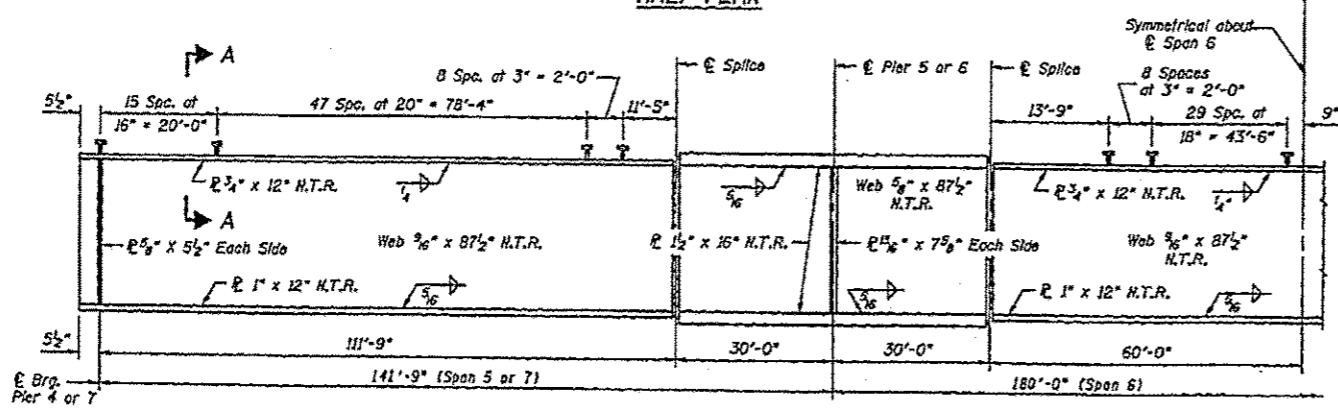


SHEET 14
OF 45

ROUTE NO.	SECTION	COUNTY	TOTAL SHEETS	SHEET NO.
I-55	84-2BR-1	SANGAMON	218	186
FED. AID DIST. NO.	ILLINOIS	FED. AID PROJ.		



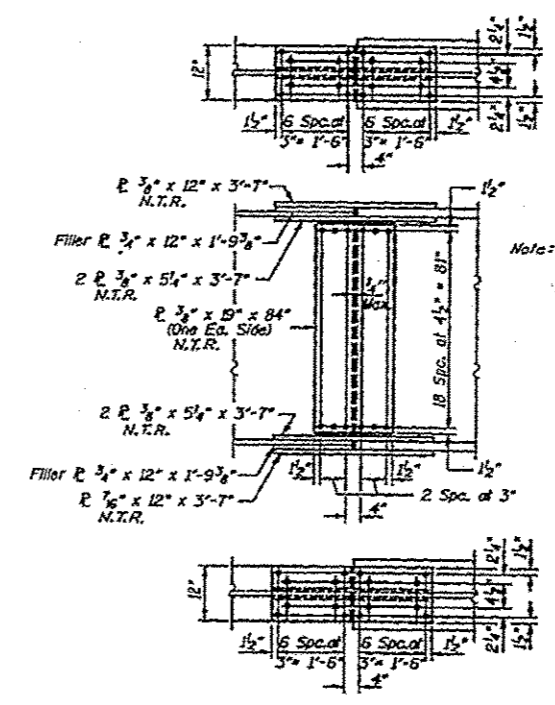
HALF PLAN



HALF GIRDER ELEVATION

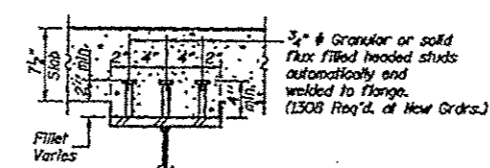
"N.T.R." denotes plates to which notch toughness requirements are applicable. (Girders ⓐ or ⓑ)

DESIGNED	PLH
CHECKED	RBO
DRAWN	HGT
CHECKED	PLH



FIELD SPICE DETAIL

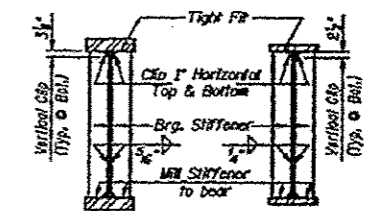
Girders ⓐ or ⓑ
As Required



SECTION A-A

Girders ⓐ or ⓑ

NOTES:
Quantities shown are for one structure. Two structures are required.
All new structural steel to be A270 Grade 50, Except as noted.
See Sheet #15 of 45 for shear connectors at existing girders.



SECTION AT PIER
SECTION AT ABUTMENT

STATE OF ILLINOIS
DEPARTMENT OF TRANSPORTATION

STRUCTURAL STEEL DETAILS
I-55 OVER SANGAMON RIVER
F.A.I. RTE. 55 SECTION 84-2BR-1
SANGAMON COUNTY
STATION 462+25.00
STRUCTURE NOS. 084-0018, 084-0019

FOR INFORMATION ONLY

FILE NAME	USER NAME	DESIGNED	REVISED	BRIDGE PLANS	F.A.I. RTE.	SECTION	COUNTY	TOTAL SHEETS	SHEET NO.
S:\0\bridgeplans\CAD\72055-06 Bridge Painting 2014\bridgepaintingplans 2014-1.dgn	copenbergerda	-	-	INFORMATIONAL USE ONLY	I-55	06 BRIDGE PAINTING 2014	VARIOUS	15	6
Default	PLOT DATE	CHECKED	REVISED	SCALE	SHEET	OF	SHEETS	STA.	TO STA.
	03-2013 11:02:37AM	-	-						