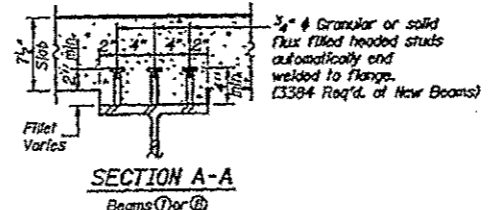
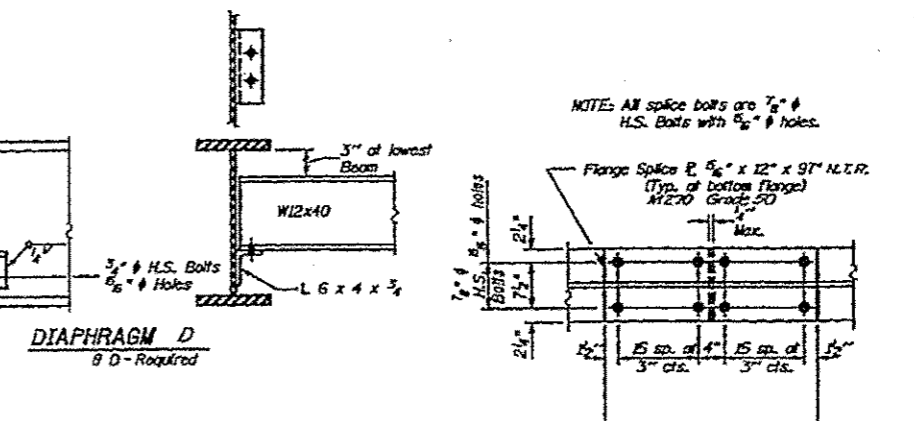
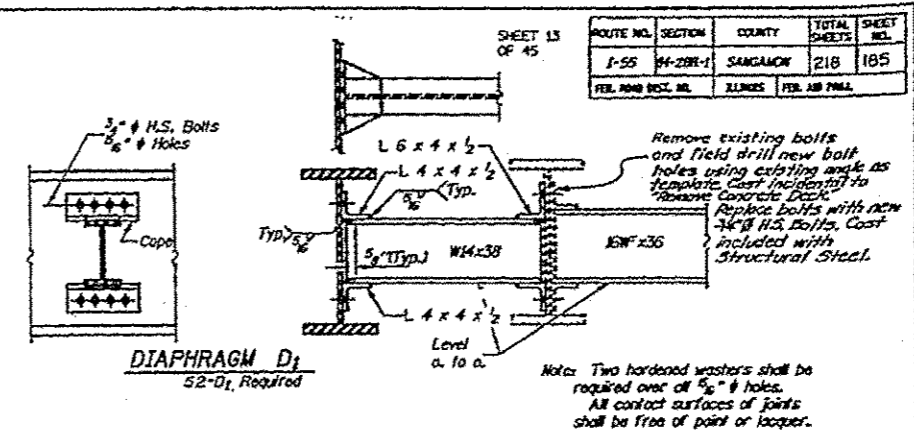


DESIGNED	PLH
CHECKED	RBD
DRAWN	HGT
CHECKED	PLH

T-2-P B-30-80



ELEVATION OF TOP OF BEAMS

Location	Elevation
E. Brg. H. Abut.	539.62
E. Splice 1	539.65
E. Pier 1	539.67
E. Splice 2	539.70
E. Splice 3	539.77
E. Pier 2	539.80
E. Splice 4	539.83
E. Splice 5	539.90
E. Pier 3	539.93
E. Splice 6	539.96
E. Brg. Pier 4	540.08

NOTE: Beam 1 & 8 elevations are the same. Spans 8, 9, 10 & 11 are the same by opposite hand. See Sheet #19 for Plan View of Splice Plate.

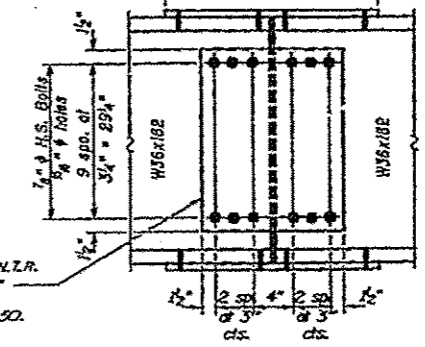
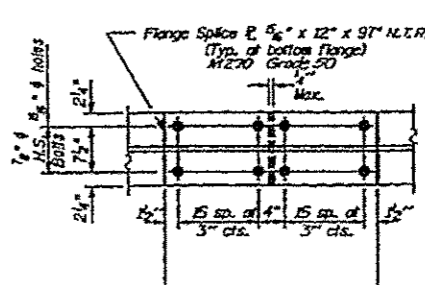
NOTES: Quantities shown are for one structure. Two structures are required. See Sheet #16 of 45 for shear connectors at existing beams. See Sheet #19 for Plan View of Splice Plate.

ROUTE NO.	SECTION	COUNTY	TOTAL SHEETS	SHEET NO.
I-55	84-2BR-1	SANGAMON	218	185
FEL. ROAD DIST. NO.	MILES	FEL. AID PROJ.		

Remove existing bolts and field drill new bolt holes using existing angle as template. Cast incidental to concrete deck. Replace bolts with new 1/2" H.S. Bolts. Cost included with Structural Steel.

Notes: Two hardened washers shall be required over of 3/4" holes. All contact surfaces of joints shall be free of paint or lacquer.

NOTE: All splice bolts are 7/8" H.S. Bolts with 3/4" holes.



STATE OF ILLINOIS
DEPARTMENT OF TRANSPORTATION
STRUCTURAL STEEL DETAILS
I-55 OVER SANGAMON RIVER
F.A.L. RTE. 55 SECTION 84-2BR-1
SANGAMON COUNTY
STATION 462+25.00
STRUCTURE NOS. 084-0018, 084-0019

FOR INFORMATION ONLY

FILE NAME *	USER NAME * copanbergerde	DESIGNED -	REVISED -	STATE OF ILLINOIS DEPARTMENT OF TRANSPORTATION	BRIDGE PLANS INFORMATIONAL USE ONLY	F.A. RTE.	SECTION	COUNTY	TOTAL SHEETS	SHEET NO.
S:\Bridges\Plans\CAD\72655-08 Bridge Painting 2014\BridgPaintingPlans 2014.dwg	DRAWN -	REVISED -	I-55			08 BRIDGE PAINTING 2014	VARIDUS	15	8	
PLOT SCALE * 1/8" = 1'-0"	CHECKED -	REVISED -	CONTRACT NO. 72655							
PLOT DATE * Dec-03-2013 11:03:24AM	DATE -	REVISED -	ILLINOIS FED. AID PROJECT							