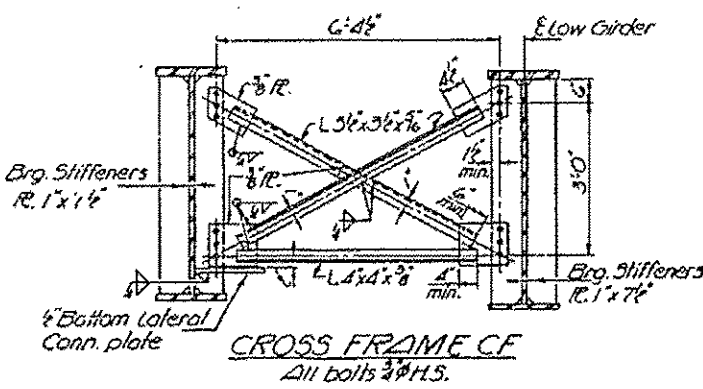
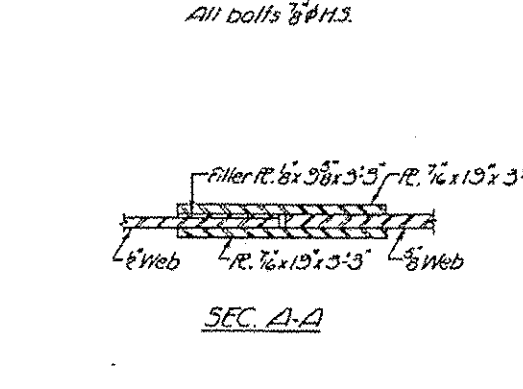
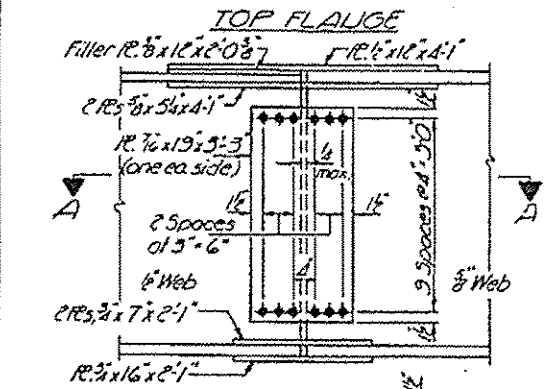


NORTH-SOUTH BC. LINES
TOP OF WEB ELEVATIONS

	Girder 1	Girder 2	Girder 3	Girder 4	Girder 5	Girder 6	Girder 7	Girder 8
Unit A	E.Brg. Pier 2	E.Splice 3	E.Pier 3	E.Splice 4	E.Splice 5	E.Pier 4	E.Splice 6	E.Brg. Pier 5
Unit B	E.Brg. Pier 2	E.Splice 3	E.Pier 3	E.Splice 4	E.Splice 5	E.Pier 4	E.Splice 6	E.Brg. Pier 5



UNIT A

INTERIOR GIRDER MOMENT TABLE

	0.4 Span	Pier 1/6
I _s (in ⁴)	11710.1	24756.6
I _c (in ⁴)	1408	1408
M _E (k)	512.81	1099.98
M _L (k)	566.90	531.06
Imp. (k)	141.58	152.76
M _{total} (k)	1170.69	1757.80
V _s (ksi)	19.04	19.42

UNIT B

INTERIOR GIRDER MOMENT TABLE

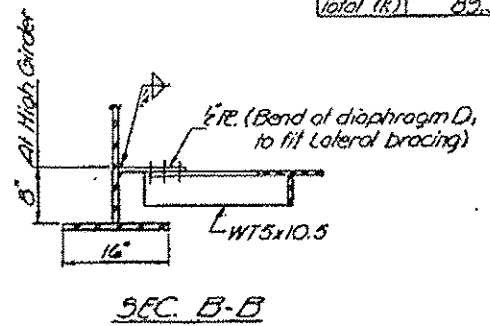
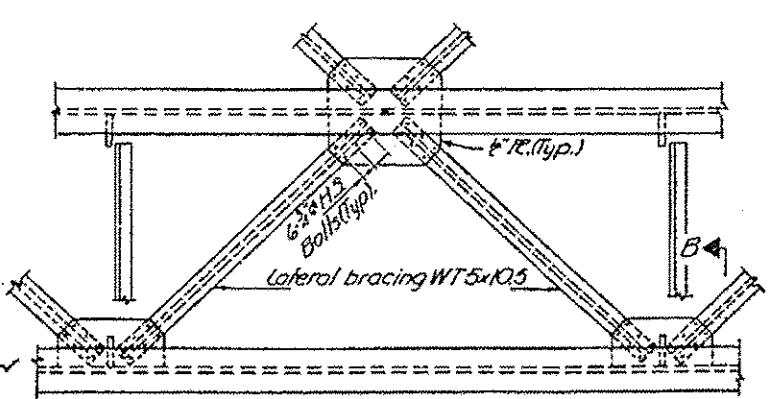
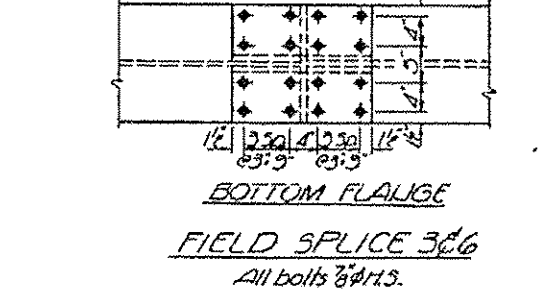
	0.4 Span	0.5 Span	Pier 3/4
I _s (in ⁴)	18113.1	32353.9	79109.1
I _c (in ⁴)	46390.3	8467.8	—
M _E (k)	984.9	1360.4	2659.1
M _L (k)	1513.9	1839.6	—
Imp. (k)	1015	1074	1640
M _{total} (k)	587.99	856.39	2165.14
V _s (ksi)	7.16	7.55	9.77
V _E (ksi)	5.99	5.99	5.99
M _s (k)	299.88	428.20	693.99
M _L (k)	888.93	1130.73	1130.46
M _{Imp.} (k)	189.34	209.44	223.83
Total (k)	1378.15	1788.39	2048.28
V _s (ksi)	12.53	11.67	9.64
V _{total} (ksi)	13.69	13.22	13.01
V _R (k)	59.63	54.7	—

INTERIOR GIRDER REACTION TABLE

	Unit A	Unit B
R _E (k)	38.21	134.39
R _L (k)	40.99	58.78
Imp. (k)	10.69	14.70
Total (k)	89.89	207.87

INTERIOR GIRDER REACTION TABLE

	Unit A	Unit B
R _E (k)	38.21	134.39
R _L (k)	40.99	58.78
Imp. (k)	10.69	14.70
Total (k)	89.89	207.87



I_s and S_x are the moment of inertia and section modulus of the steel section.
 I_c and S_c are the moment of inertia and section modulus of the composite section used in computing I_s.
 V_R is the maximum k + impact shear range.

STRUCTURAL STEEL DETAILS
 FAI. RT. 55 SEC. 54-3B
 LOGAN COUNTY
 STA 292+17.00

FOR INFORMATIONAL USE ONLY