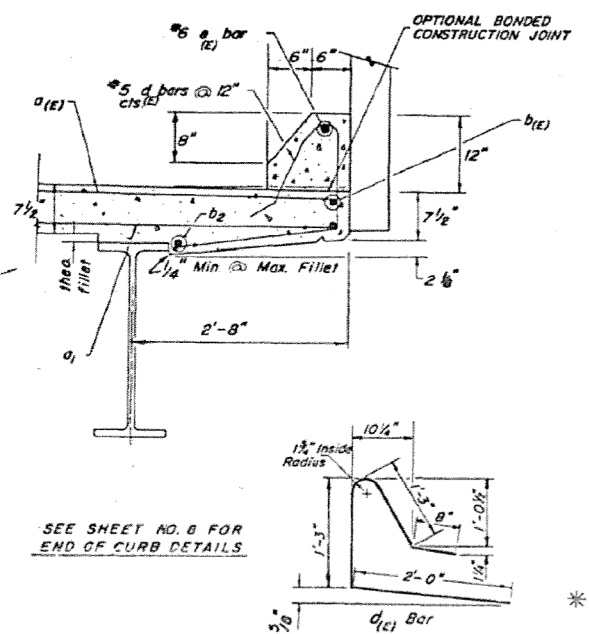
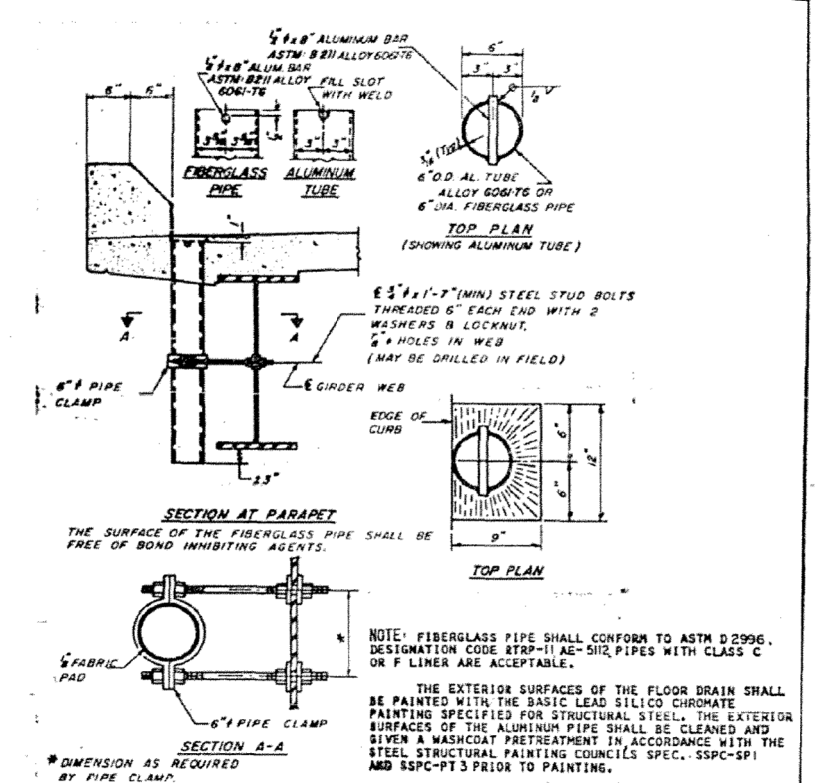
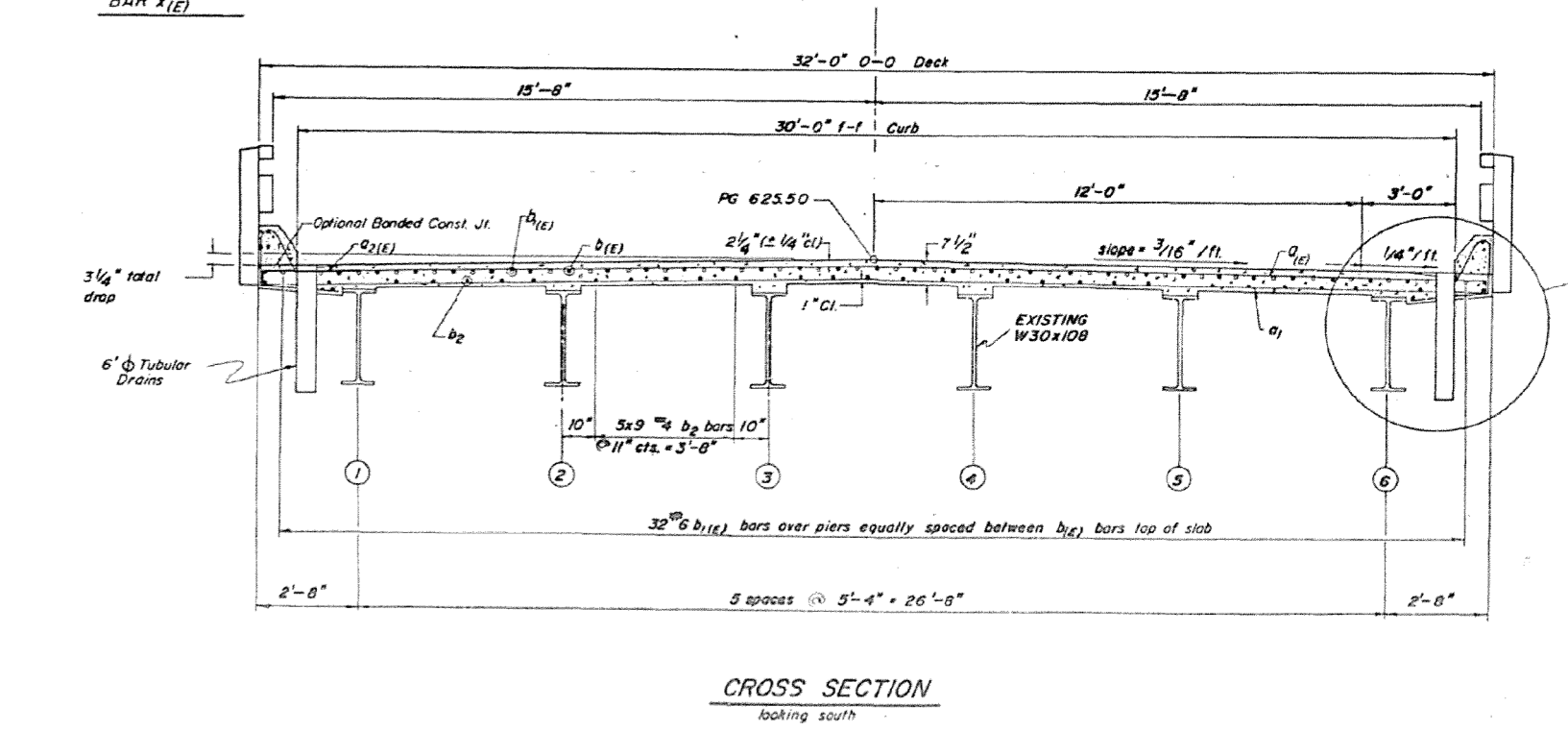
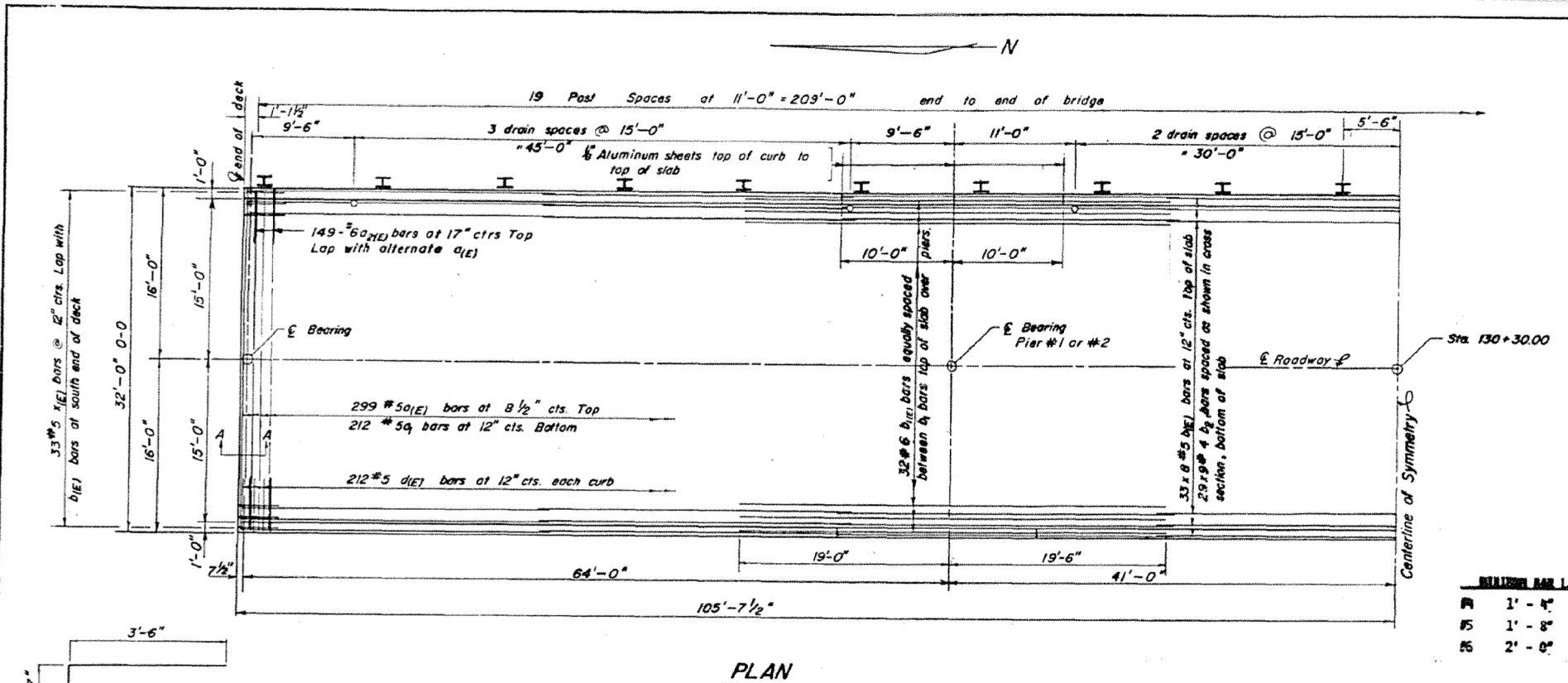


STATE	ROUTE	SECTION	COUNTY	TOTAL SHEETS	SHEET NO.
ILLINOIS	677	15 BR	COLES	11	5



NOTE: Bars indicated thus: 40 X2 #5 etc. indicates 40 lines of bars with 2 lengths per line. See sheet #9 for quantities of reinforcement and concrete in curbs.

BILL OF MATERIAL

BAR NO	SIZE	LENGTH	SHAPE
a _{1(E)}	#5	31'-8"	
a _{2(E)}	#5	31'-8"	
a _{3(E)}	#6	4'-0"	
b _{1(E)}	#5	28'-1"	
b _{2(E)}	#6	38'-6"	
b ₃	#4	24'-10"	
c _{1(E)}	#4	31'-8"	
x _{1(E)}	#5	4'-1"	
Class X Concrete		Cu Yds.	182.2
Reinforcement Bars		Pound	11,330
Reinforcement Bars (Epoxy Coated)		Pound	23,280
Name Plates		Each	1
Floor Drains		Each	26

* Reinforcement bars designated (E) shall be epoxy coated. See special provisions.

SUPERSTRUCTURE SHEET		McINTOCK ENGINEERING	
BRIDGE OVER LIT. EMBARRAS RIVER		T.M. J-22-82 SHEET 5 OF 11	
SECTION 15 BR		R.L.Mc	
FAS ROUTE 677, COLES CO.		DES. R.L.Mc	
STATION 130+30		FILE NO. 3137-92-80	
SCALE: N/A		SHEET 2 OF 10 SHEETS STA. TO STA.	