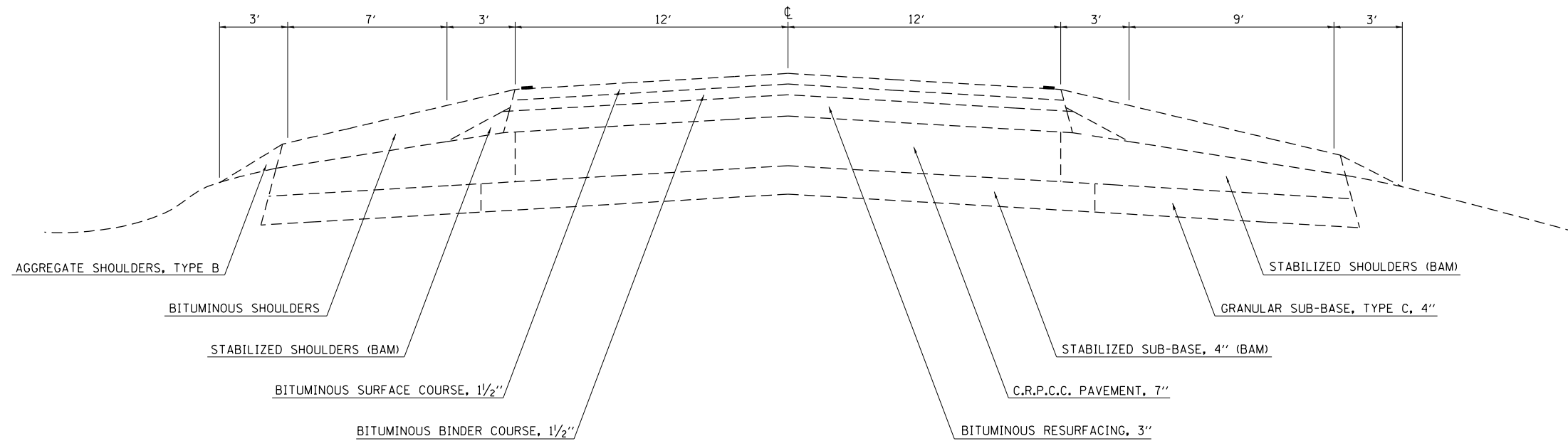


EXISTING TYPICAL CROSS SECTION

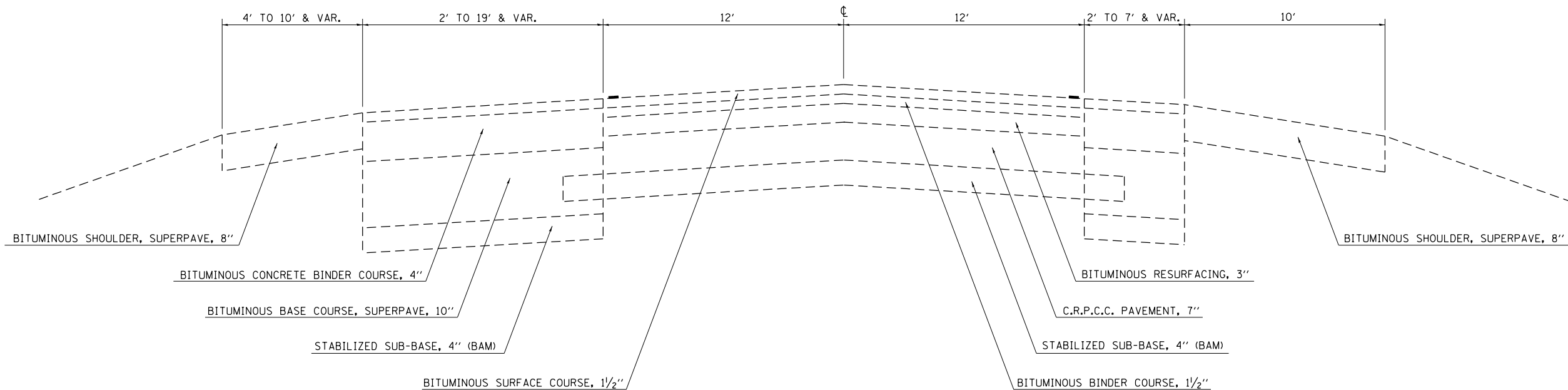
U.S. ROUTE 50
 STA. 589+54 TO STA. 609+51
 STA. 627+26 TO STA. 629+90.7



NOTE: NOT TO SCALE

EXISTING TYPICAL CROSS SECTION

U.S. ROUTES 50 & 45
 STA. 609+51.00 TO STA. 627+26



NOTE: NOT TO SCALE

FILE NAME =	USER NAME = steffenmk	DESIGNED -	REVISED -
c:\pwork\pwork\stevfemk\d0348176\074630-sh-typical.dgn		DRAWN -	REVISED -
		CHECKED -	REVISED -
		DATE -	REVISED -

**STATE OF ILLINOIS
 DEPARTMENT OF TRANSPORTATION**

EXISTING TYPICAL CROSS SECTIONS

SCALE: N/A SHEET 1 OF 4 SHEETS STA. TO STA.

F.A.P. RTE.	SECTION	COUNTY	TOTAL SHEETS	SHEET NO.
327	D7 HMA RESURF 2014-2	CLAY	26	5
CONTRACT NO. 74630				
ILLINOIS FED. AID PROJECT				