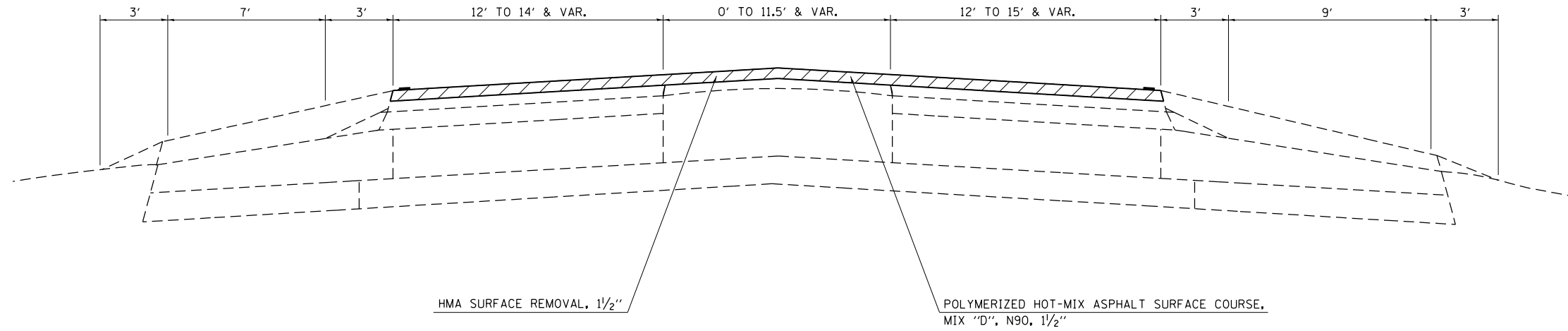


PROPOSED TYPICAL CROSS SECTION

U.S. ROUTE 50
STA. 629+90.7 TO STA. 634+67.7

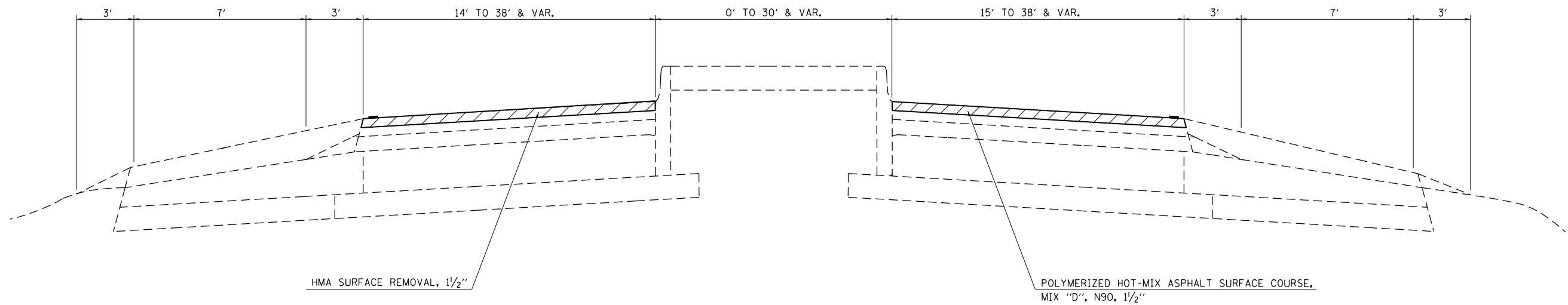


 HMA SURFACE REMOVAL, 1/2"

NOTE: NOT TO SCALE

PROPOSED TYPICAL CROSS SECTION

U.S. ROUTE 50
STA. 634+67.7 TO STA. 645+61.7



 HMA SURFACE REMOVAL, 1/2"

NOTE: NOT TO SCALE

FILE NAME =	USER NAME = steffenmk	DESIGNED -	REVISED -
c:\pwork\pwork\dot\steffenmk\d0348176\074630-sh-typical.dgn		DRAWN -	REVISED -
	PLOT SCALE = 100.0000' / 1in.	CHECKED -	REVISED -
Default	PLOT DATE = 10/1/2013	DATE -	REVISED -

STATE OF ILLINOIS
DEPARTMENT OF TRANSPORTATION

PROPOSED TYPICAL CROSS SECTIONS

SCALE: N/A SHEET 4 OF 4 SHEETS STA. TO STA.

F.A.P. RTE.	SECTION	COUNTY	TOTAL SHEETS	SHEET NO.
327	D7 HMA RESURF 2014-2	CLAY	26	8
CONTRACT NO. 74630			ILLINOIS FED. AID PROJECT	