

PLACE THE ARROW 18' (5.5 m) BACK FROM STOP BAR
PLACE ANOTHER ARROW EVEN WITH THE BEGINNING
OF THE SOLID WHITE LINE. SPACE ADDITIONAL ARROWS
EVENLY UP TO 80' (24.4 m) MAXIMUM SPACING.

* REDUCE TO 40 FEET (12.2 METERS) SPACING ON CURVES
WHERE ADVISORY SPEEDS ARE 10 MPH (15 km/h) LOWER
THAN POSTED SPEEDS.

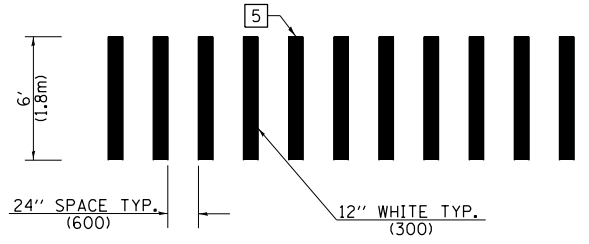
** DOUBLE LANE LINE MARKERS SHALL BE SPECIFIED
AND SPACED AS SHOWN IN HIGHWAY STANDARD
781001 FOR MULTI-LANE DIVIDED AND UNDIVIDED
HIGHWAYS.

PAVEMENT MARKING LEGEND

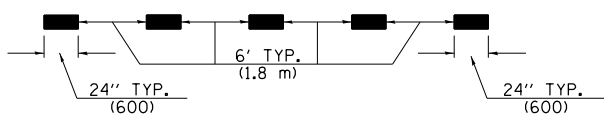
- 1 4" (100) SKIP-DASH (YELLOW)
- 2 4" (100) SOLID (YELLOW)
- 3 12" (300) DIAGONAL (YELLOW)
- 4 4" (100) DOUBLE YELLOW (NARROW)
- 5 12" (300) SOLID WHITE
- 6 RESERVED
- 7 6" (150) SKIP-DASH (WHITE)
- 8 4" (100) SOLID (WHITE)
- 9 12" (300) DIAGONAL (WHITE)
- 10 6" (150) SOLID (WHITE)
- 11 24" (600) STOP BAR (WHITE)
- 12 8" (200) SOLID (WHITE)
- 13 4" (100) PARKING WHITE

GENERAL NOTES

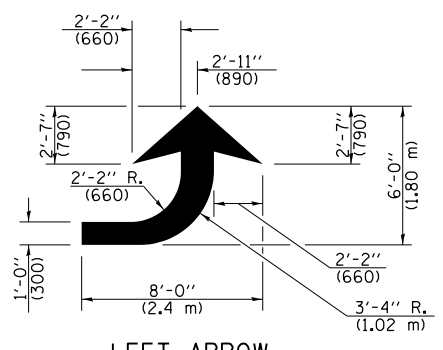
1. TURN ARROW PAIRS SHALL BE PLACED AT 250' (75 m) INTERVALS AND SHALL BE EVENLY SPACED BETWEEN BOTH ENDS OF THE BIDIRECTIONAL LEFT TURN LANE. USE A MINIMUM OF TWO PAIRS PER BLOCK.
2. THE SOLID YELLOW PAVEMENT MARKINGS [2] SHOULD GENERALLY START OR END NEAR THE RADIUS POINT OF EACH STREET RETURN EXCEPT WHERE ONE OR BOTH ENDS WOULD INCLUDE STOP BARS.
3. THE SKIP-DASH PAVEMENT MARKINGS [1] OR [7] SHOULD BE CENTERED BETWEEN BOTH ENDS OF EACH CITY BLOCK AND SHALL BE PLACED SO THEY LINE UP ACROSS FROM EACH OTHER.
4. USE LARGE ARROW SIZE FOR BOTH RURAL AND URBAN LOCATIONS. (SEE LAST PAGE OF SECTION 780x FOR SYMBOLS TABLE)
5. LANE LINE EXTENSIONS SHALL BE THE SAME COLOR AND WIDTH AS THE LANE LINE BEING EXTENDED.



**CROSSWALK DETAIL
(DECATUR CITY LIMITS ONLY)**

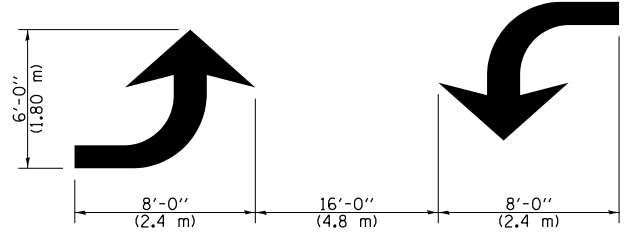


LANE LINE EXTENSIONS



LEFT ARROW

REVERSE FOR RIGHT ARROW
AREA = 15.6 SQ. FT. (1.47 m²)
(WHITE)



**TYPICAL DOUBLE
TURN ARROWS (WHITE)**

NOT TO SCALE

Note: All dimensions are in INCHES
(millimeters) unless otherwise shown.

FILE NAME = c:\pwwork\pwwork\stefhenk\d0348176\074630-sh1-details.dgn	USER NAME = stefhenk	DESIGNED -	REVISED -	STATE OF ILLINOIS DEPARTMENT OF TRANSPORTATION	PAVEMENT MARKING AND RAISED REFLECTIVE PAVEMENT MARKERS (RURAL & URBAN APPLICATIONS)			F.A.P. RTE. = 327	SECTION = D7 HMA RESURF 2014-2	COUNTY = CLAY	TOTAL SHEETS = 26	SHEET NO. = 23
PLOT SCALE = 100.0000' / 1"	CHECKED -	REVISED -	REVISED -					SCALE: N/A	SHEET NO. 2 OF 4 SHEETS	STA. TO STA.	CONTRACT NO. 74630	
PLOT DATE = 10/1/2013	DATE -	REVISED -	REVISED -		ILLINOIS FED. AID PROJECT							
DISTRICT 7 DETAIL NO. 78000001												