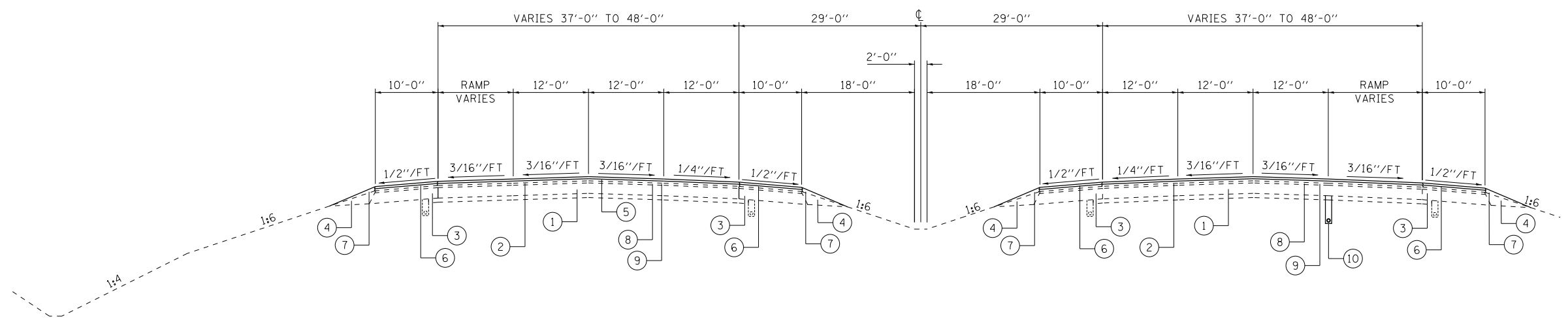


G SUPERELEVATED SECTION WITH INLAY/OVERLAY AND EXTRA LANE

STA 1566+34.35 TO STA 1579+82.25



H TANGENT SECTION WITH INLAY/OVERLAY AND RAMP

LT STA 1581+30.00 TO STA 1586+88.95
RT STA 1588+63.64 TO STA 1597+28.72

- ① EXISTING PCC PAVEMENT
- ② EXISTING BITUMINOUS PAVEMENT
- ③ EXISTING BITUMINOUS SHOULDER
- ④ EXISTING AGGREGATE SHOULDERS
- ⑤ POLYMERIZED HOT-MIX ASPHALT SURFACE COURSE, STONE MATRIX ASPHALT, N80 - (2 - 2" LIFTS)
- ⑥ HOT-MIX ASPHALT SHOULDERS, (2 - 2" LIFTS)
- ⑦ AGGREGATE WEDGE SHOULDER, TYPE B - (4" TO 0")
- ⑧ BITUMINOUS MATERIALS (PRIME COAT) AND AGGREGATE (PRIME COAT)
- ⑨ HMA/PCC SURFACE REMOVAL (SEE SCHEDULE FOR THICKNESS AND LOCATIONS)
- ⑩ PIPE UNDERDRAINS, 4"

| EXISTING PAVEMENT AND SHOULDER THICKNESSES | | | | |
|--|----|------------|-----------------------------|----------------|
| RIGHT (NORTHBOUND) | | | PAVEMENT | SHOULDER |
| 1390+00.00 | TO | 1531+28.00 | 10" CRPCCP | 10" BITUMINOUS |
| 1531+28.00 | TO | 1556+00.00 | 10" CRPCCP | 10" BITUMINOUS |
| 4.25" OVERLAY | | | | |
| 1556+00.00 | TO | 1599+00.00 | 10" CRPCCP | 10" BITUMINOUS |
| | | | 0.5" MILL AND 3.75" OVERLAY | |
| 1599+00.00 | TO | 1627+34.90 | 16.5" BITUMINOUS | 8" BITUMINOUS |
| LEFT (SOUTHBOUND) | | | PAVEMENT | SHOULDER |
| 1390+00.00 | TO | 1531+28.00 | 10" CRPCCP | 10" BITUMINOUS |
| 1531+28.00 | TO | 1557+00.00 | 10" CRPCCP | 10" BITUMINOUS |
| 4.25" OVERLAY | | | | |
| 1557+00.00 | TO | 1614+52.00 | 10" CRPCCP | 10" BITUMINOUS |
| | | | 0.5" MILL AND 3.75" OVERLAY | |
| 1614+52.00 | TO | 1623+00.00 | 10" CRPCCP | 10" BITUMINOUS |
| 1623+00.00 | TO | 1627+54.93 | 16.5" BITUMINOUS | 8" BITUMINOUS |

FROM EXISTING PLANS, ACTUAL FIELD CONDITIONS MAY VARY.

| SUPERELEVATION TABLE | | | |
|----------------------|----|------------|------------|
| 1385+50.00 | TO | 1388+00.00 | TRANSITION |
| 1388+00.00 | TO | 1400+50.00 | 4.4% SUPER |
| 1400+50.00 | TO | 1403+00.00 | TRANSITION |
| 1439+00.00 | TO | 1441+50.00 | TRANSITION |
| 1441+50.00 | TO | 1472+50.00 | 5.2% SUPER |
| 1472+50.00 | TO | 1475+00.00 | TRANSITION |
| 1497+50.00 | TO | 1500+00.00 | TRANSITION |
| 1500+00.00 | TO | 1512+00.00 | 5.2% SUPER |
| 1512+00.00 | TO | 1514+50.00 | TRANSITION |
| 1566+34.35 | TO | 1567+76.91 | TRANSITION |
| 1567+76.91 | TO | 1578+39.69 | 4.4% SUPER |
| 1578+39.69 | TO | 1579+82.25 | TRANSITION |

FROM EXISTING PLANS, ACTUAL FIELD CONDITIONS MAY VARY. OVERLAY SHALL BE PLACED AT THICKNESS SHOWN ON TYPICAL SECTIONS.