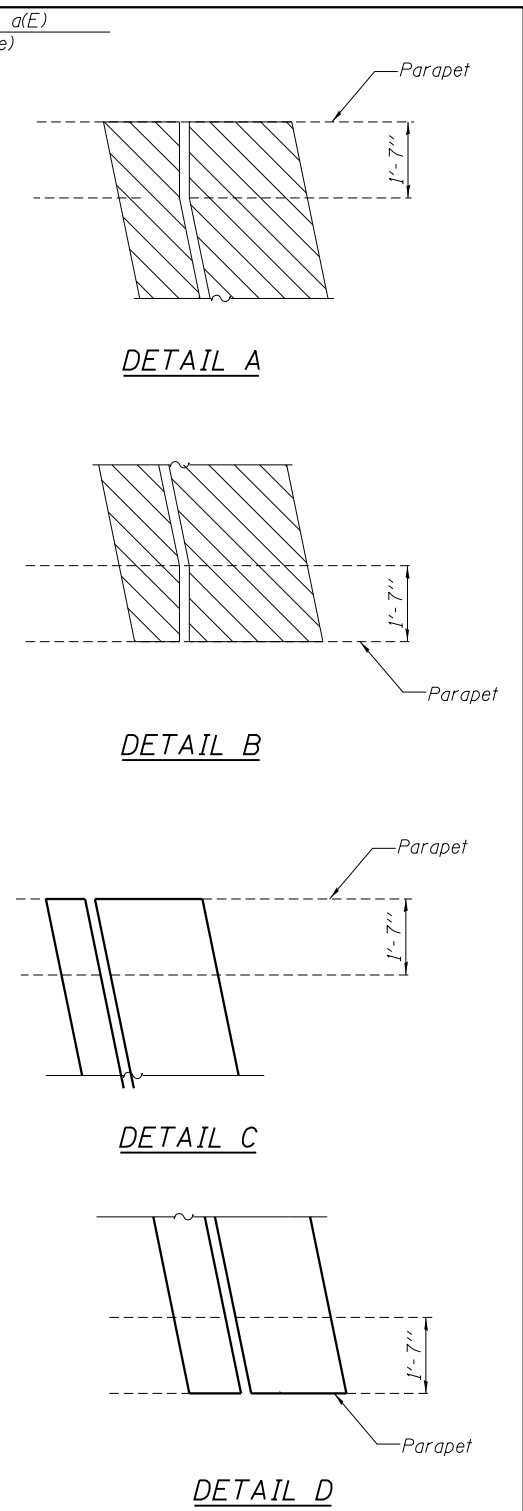
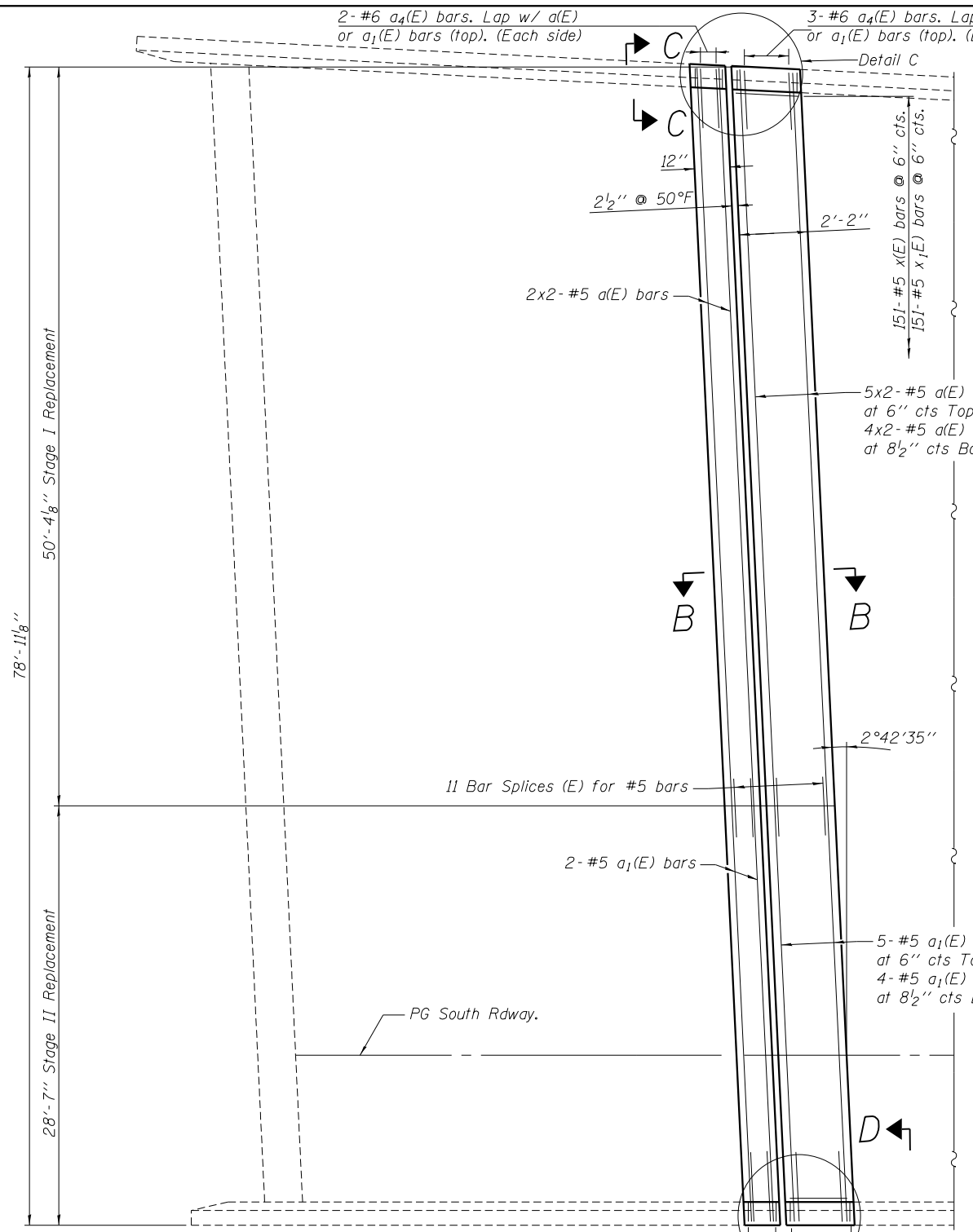
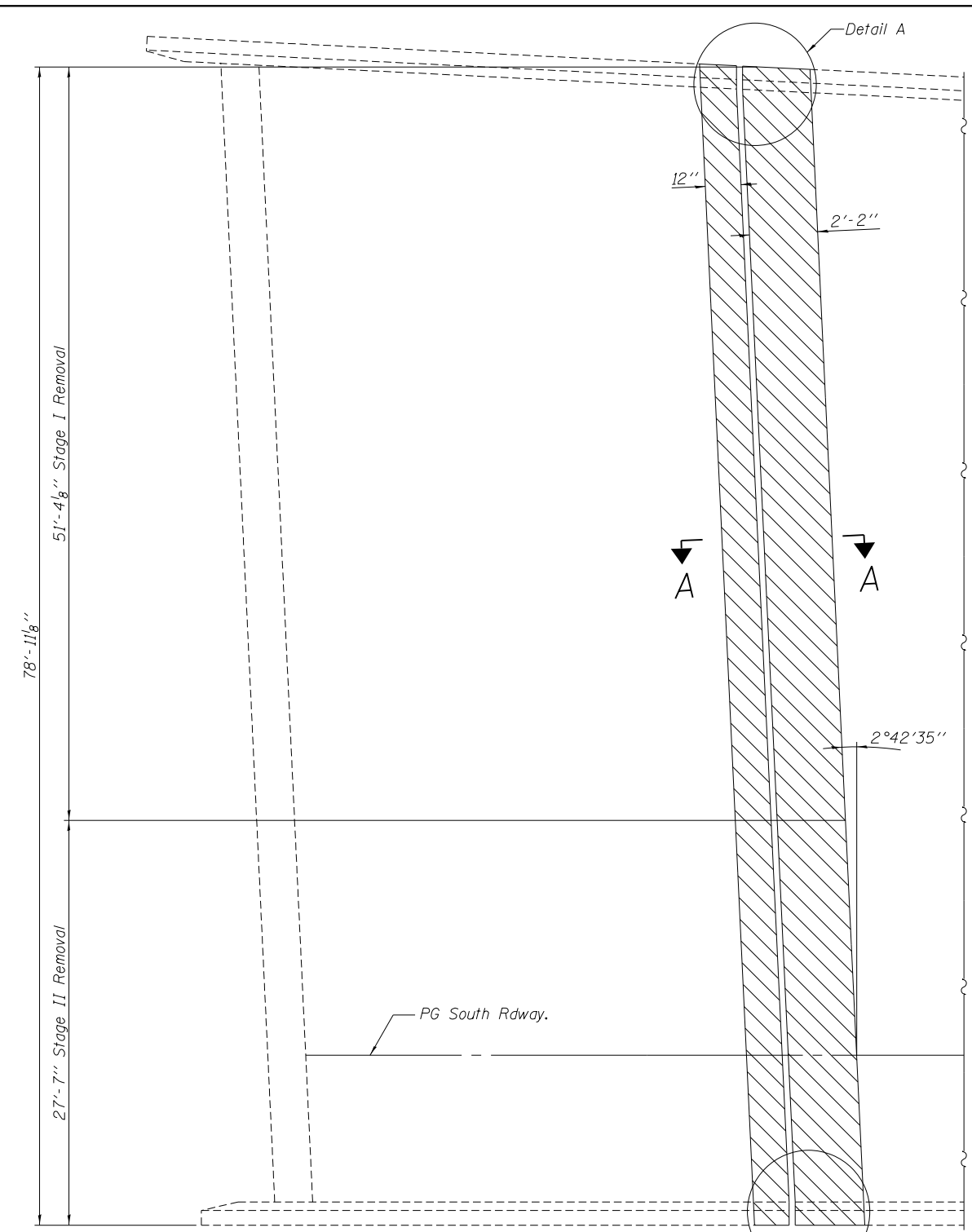


3/25/2013 3:23:32 PM - G:\S1\12\000\1\Bridges\CAD\Sheets\Bridges_0220-022\0600220-76F10-11-South Exp Jt.dgn



NOTES:

- Existing reinforcement extending into the removal area shall be cleaned, straightened and incorporated into the new construction. Any reinforcement bars that are damaged during concrete removal shall be replaced with an approved bar splicer or anchorage system. Cost shall be included with Concrete Removal.
- Trim existing reinforcement to accommodate proposed expansion joint.
- See sheet 12 for section A-A, B-B, C-C and D-D.
- Bars Indicated thus: "4x2-#5 etc...", indicates 4 lines of bars with 2 lengths per line

CONCRETE REMOVAL
(SB South Abutment Expansion Joint shown)

CONCRETE REPLACEMENT
(SB South Abutment Expansion Joint shown)

BILL OF MATERIAL

Item	Unit	Total
Concrete Removal	Cu. Yd.	9.8
Concrete Superstructure	Cu. Yd.	9.8
* Protective Coat	Sq. Yd.	29.3

*Applied on new concrete only.

MIN. LAP

#5 Bar 2'-7" Min. Lap.

LEGEND



USER NAME = geshowley	DESIGNED - SDG	REVISED -
PLOT SCALE = 1/8" = 1'-0"	CHECKED - FAS	REVISED -
PLOT DATE = 3/25/2013	DRAWN - IK	REVISED -
	CHECKED - SDG	REVISED -

**STATE OF ILLINOIS
DEPARTMENT OF TRANSPORTATION**

**SOUTH ABUTMENT EXPANSION JOINT CONCRETE
REMOVAL AND REPLACEMENT
STRUCTURE NO. 060-0220 S.B.**

SHEET NO. 11 OF 19 SHEETS

F.A.I. RTE. = 255	SECTION = 60-(8,9) RS-1	COUNTY = MADISON	TOTAL SHEETS = 206	SHEET NO. = 161
CONTRACT NO. 76F10				

ILLINOIS FED. AID PROJECT