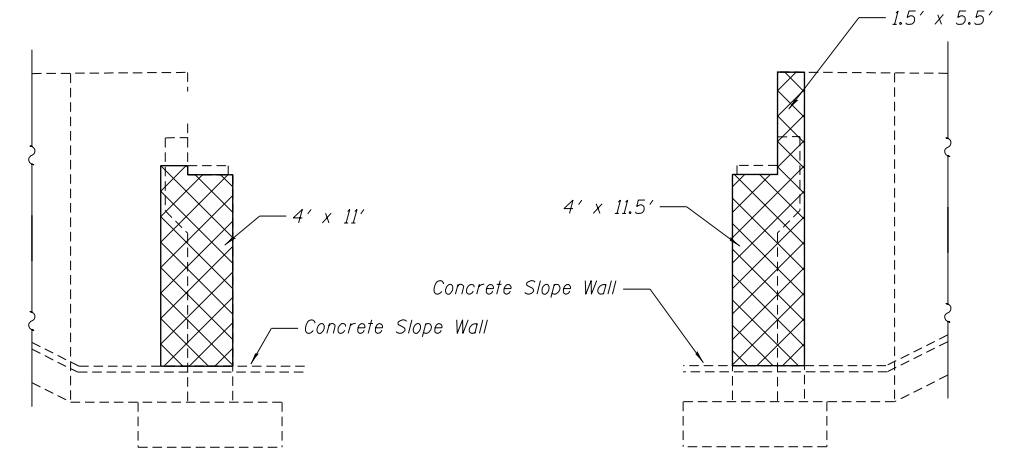
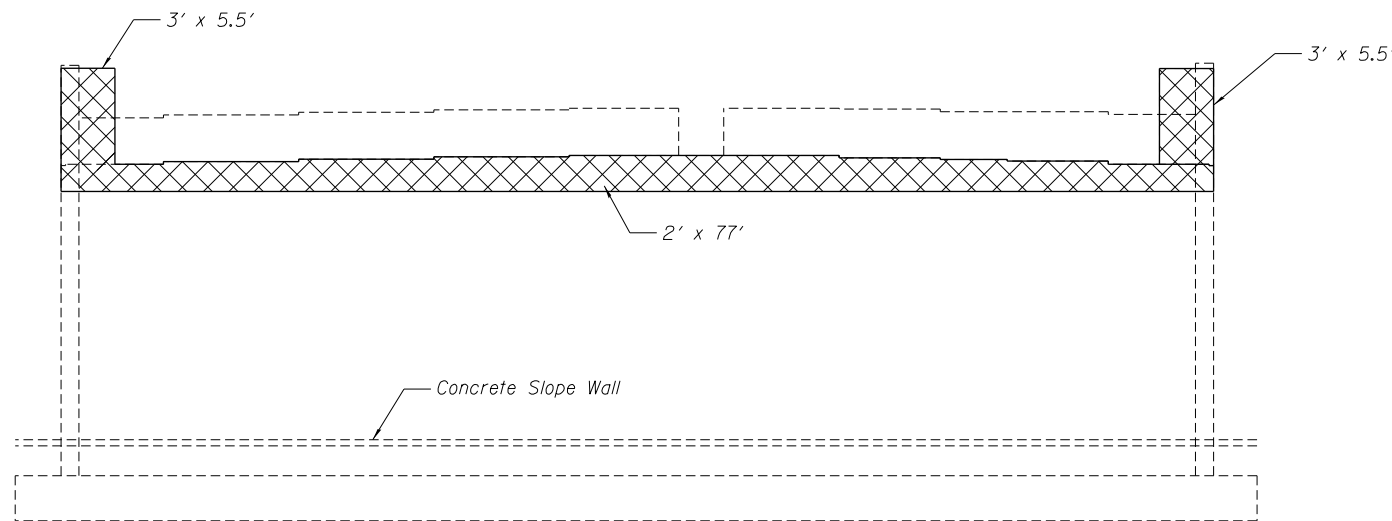


SOUTH ABUTMENT ELEVATION



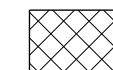
S. ABUTMENT - EAST WING WALL

S. ABUTMENT - WEST WING WALL



NORTH ABUTMENT ELEVATION

LEGEND



Structural Repair of Concrete < 5"

BILL OF MATERIAL

Item	Unit	Total
Structural Repair of Concrete (Depth Equal to or less than 5 inches)	Sq. Ft.	495.8

3/25/2013 3:25:26 PM - G:\S\12\000\Bridges\CAD\Sheets\Bridges\_0220-0221\0600221-76F10-16-North & South Abutment Repair.dgn

FILE NAME = 0600221-76F10-16-North & South Abutment Repair.dgn

USER NAME = ghowley	DESIGNED - SDG	REVISED -
PLOT SCALE = 1/8" = 1' / in.	CHECKED - FAS	REVISED -
PLOT DATE = 3/25/2013	DRAWN - DMG	REVISED -
	CHECKED - SDG	REVISED -



**STATE OF ILLINOIS  
DEPARTMENT OF TRANSPORTATION**

**NORTH AND SOUTH ABUTMENT REPAIRS  
STRUCTURE NO. 060-0221NB**

SHEET NO. 16 OF 19 SHEETS

F.A.I. RTE.	SECTION	COUNTY	TOTAL SHEETS	SHEET NO.
255	60-(8,9) RS-1	MADISON	206	166
CONTRACT NO. 76F10			ILLINOIS FED. AID PROJECT	