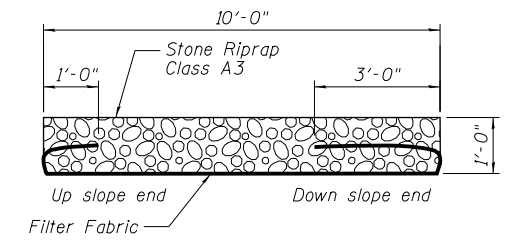
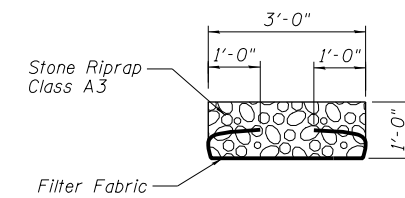


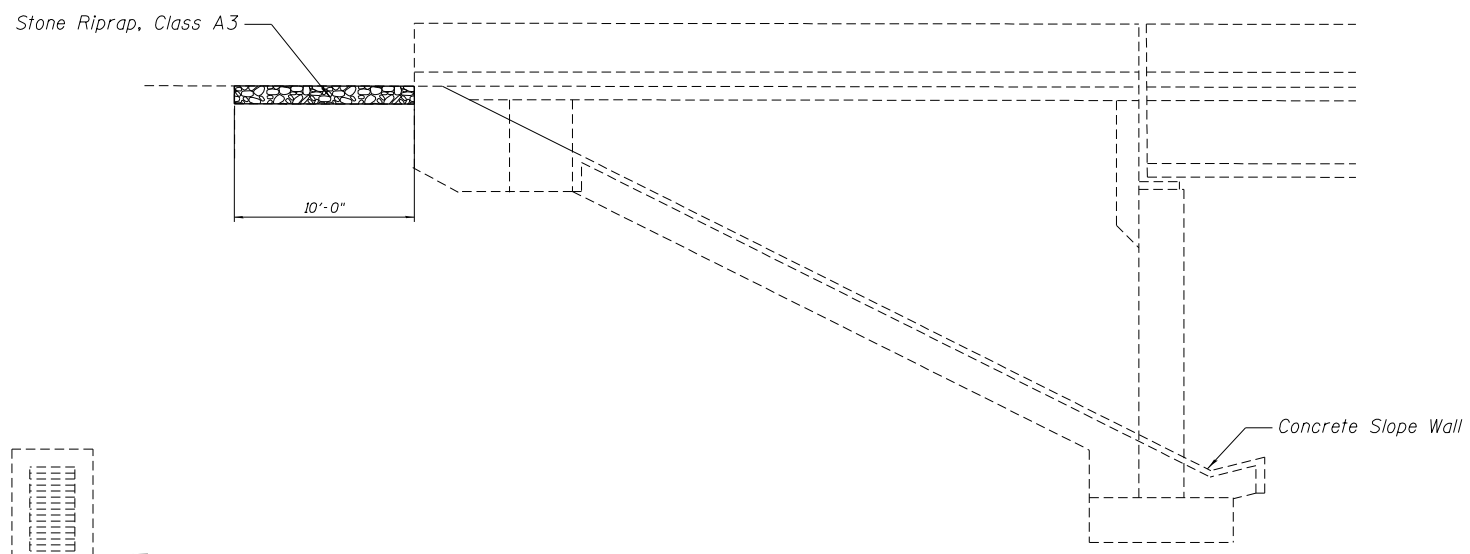
NORTH SLOPE PROTECTION PLAN



SECTION A-A



SECTION B-B



RIPRAP PLACEMENT ON SLOPE

BILL OF MATERIAL

Item	Unit	Total
Stone Riprap, Class A3	Sq. Yd.	4
Filter Fabric	Sq. Yd.	4

3/25/2013 3:27:25 PM - G:\S\12\000\Bridges\CAD\Drawings\0220-0221-76F10-19-Slope\_repair.dgn

FILE NAME = 0600221-76F10-19-Slope\_repair.dgn



USER NAME = ghowley	DESIGNED - SDG	REVISED -
	CHECKED - FAS	REVISED -
PLOT SCALE = 1/8" = 1'-0"	DRAWN - DMG	REVISED -
PLOT DATE = 3/25/2013	CHECKED - SDG	REVISED -

**STATE OF ILLINOIS  
DEPARTMENT OF TRANSPORTATION**

**SLOPEWALL REPAIRS NORTH ABUTMENT  
STRUCTURE NO. 060-0221NB**

SHEET NO. 19 OF 19 SHEETS

F.A.I. RTE.	SECTION	COUNTY	TOTAL SHEETS	SHEET NO.
255	60-(8,9) RS-1	MADISON	206	169
			CONTRACT NO. 76F10	
ILLINOIS FED. AID PROJECT				