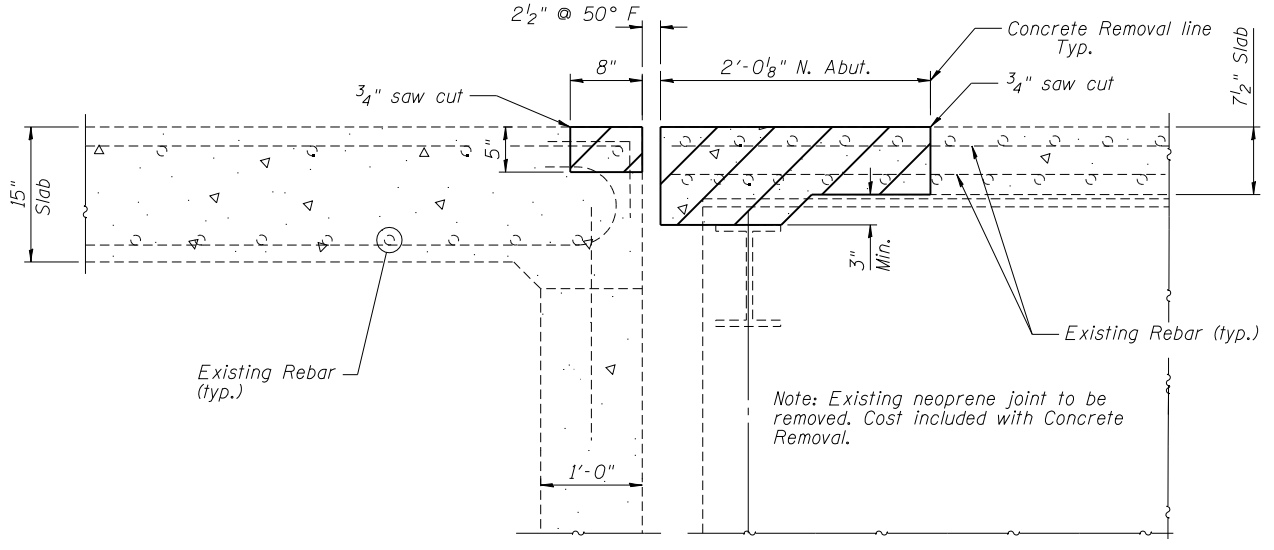


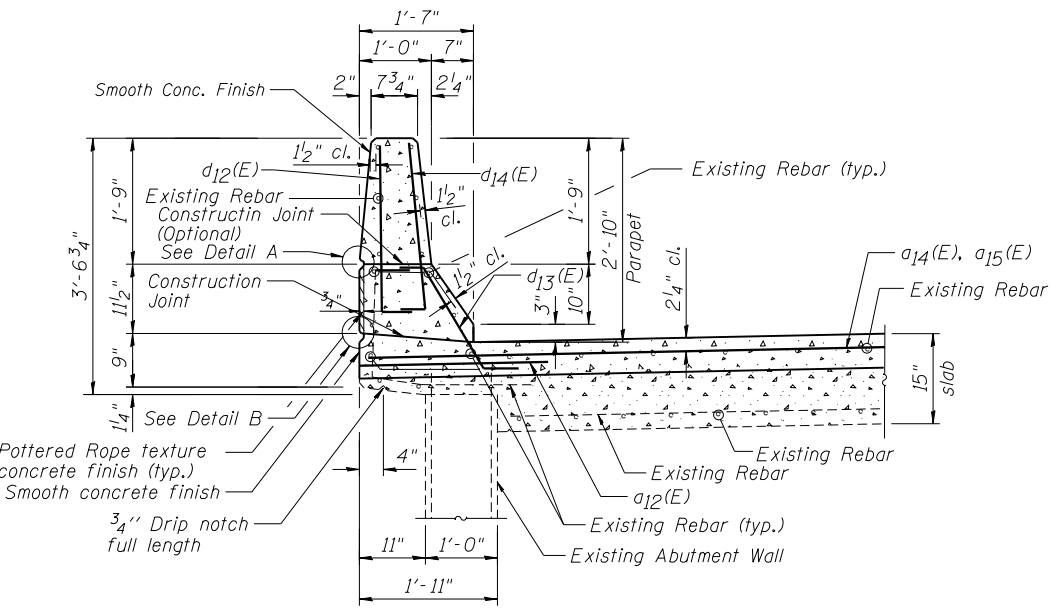
SECTION D-D THRU BRIDGE PARAPET



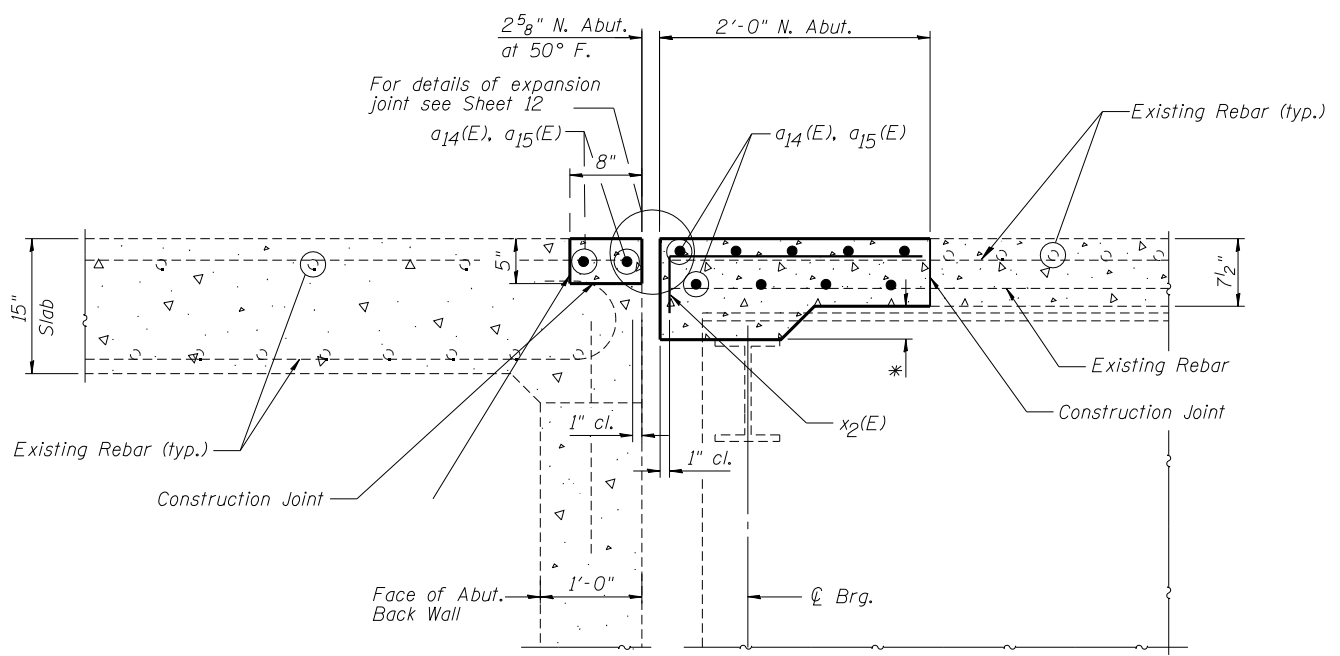
SECTION A-A
CONCRETE REMOVAL DETAIL

**NORTH ABUTMENT
BILL OF MATERIAL**

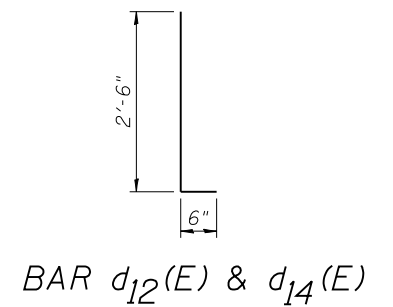
Bar	No.	Size	Length	Shape
a12 (E)	4	#6	4'-0"	—
a14 (E)	22	#5	20'-7"	—
a15 (E)	22	#5	18'-2"	—
a16 (E)	6	#6	5'-0"	—
d12 (E)	10	#4	3'-0"	L
d13 (E)	10	#5	2'-7"	L
d14 (E)	10	#5	3'-0"	L
d15 (E)	6	#4	4'-5"	L
x2(E)	67	#5	2'-4"	—
Item		Unit	Quantity	
Reinforcement Bars, Epoxy Coated		Pound	1210	
Bar Spicers		Each	11	



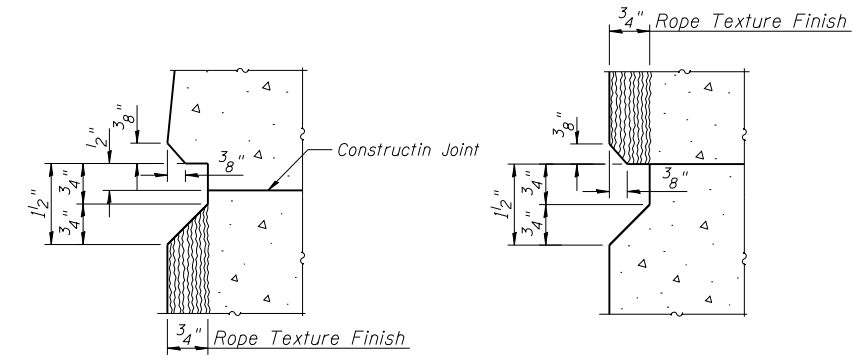
SECTION C-C THRU ABUTMENT PARAPET



SECTION B-B
CONCRETE REPLACEMENT DETAIL

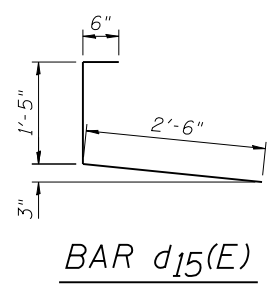


BAR d12(E) & d14(E)

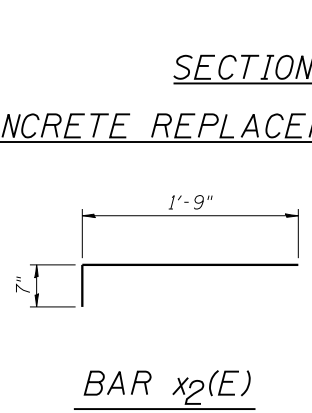


DETAIL A

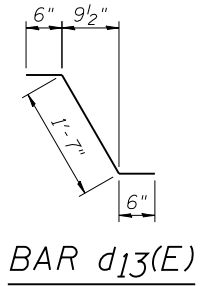
DETAIL B



BAR d15(E)



BAR x2(E)



BAR d13(E)

4/15/2013 4:15:23 PM S:\12\0001\Bridges\CAD\Drawings\Bridges_0222-0242\0600242-76F10-07-Deck-Joint_Details_NB.dgn

FILE NAME = #FILES#



USER NAME = sdogenn	DESIGNED - SDG	REVISED -
PLOT SCALE = #SCALE#	CHECKED - FAS	REVISED -
PLOT DATE = 4/15/2013	DRAWN - DMG	REVISED -
	CHECKED - SDG	REVISED -

**STATE OF ILLINOIS
DEPARTMENT OF TRANSPORTATION**

**NORTH ABUTMENT DECK JOINT DETAILS
STRUCTURE NO. 060-0242NB**

SHEET NO. 7 OF 14 SHEETS

F.A.I. RTE.	SECTION	COUNTY	TOTAL SHEETS	SHEET NO.
255	60-(8,9) RS-1	MADISON	206	176
			CONTRACT NO. 76F10	

ILLINOIS FED. AID PROJECT