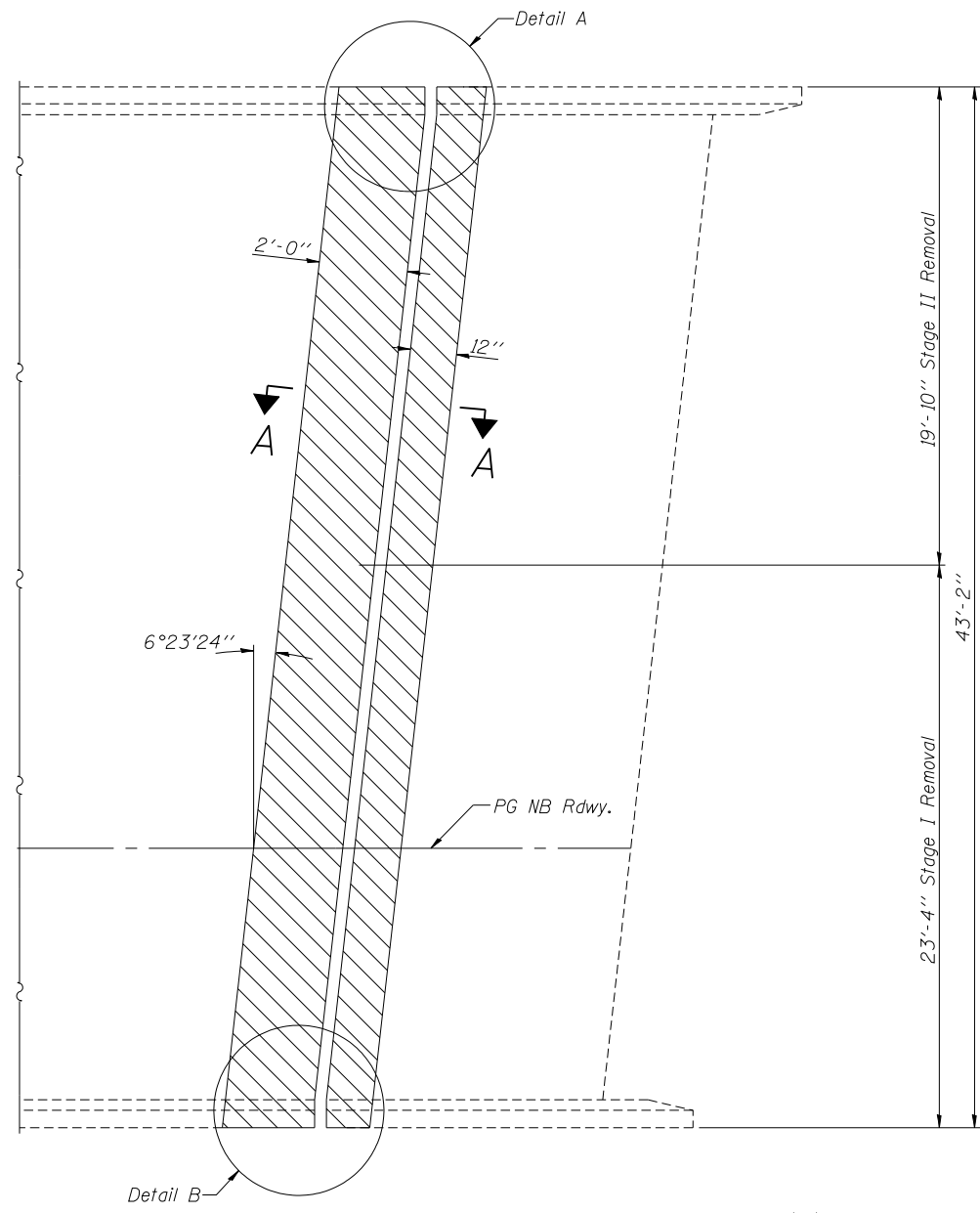


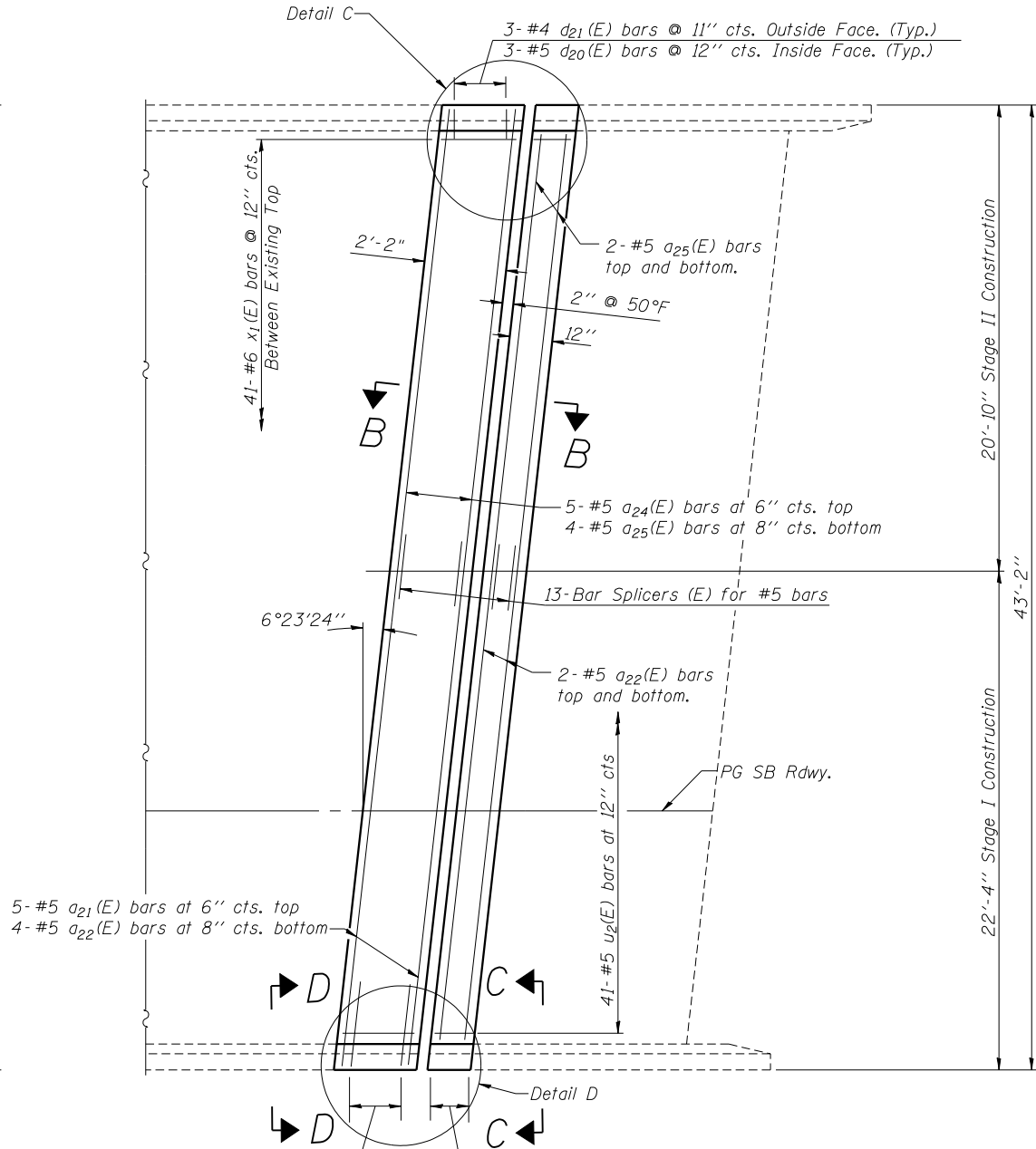
5/22/2013 5:22:00 AM - g:\S\12\0001\Bridges\CAD\sheets\Bridges\_0224\0600224-76F10-06-North\_Exp\_Jt.dgn



**CONCRETE REMOVAL**  
(NB North Abutment Expansion Joint shown)

**MIN. LAP**

#5 Bar 2'-7" Min. Lap.



**CONCRETE REPLACEMENT**  
(NB North Abutment Expansion Joint shown)

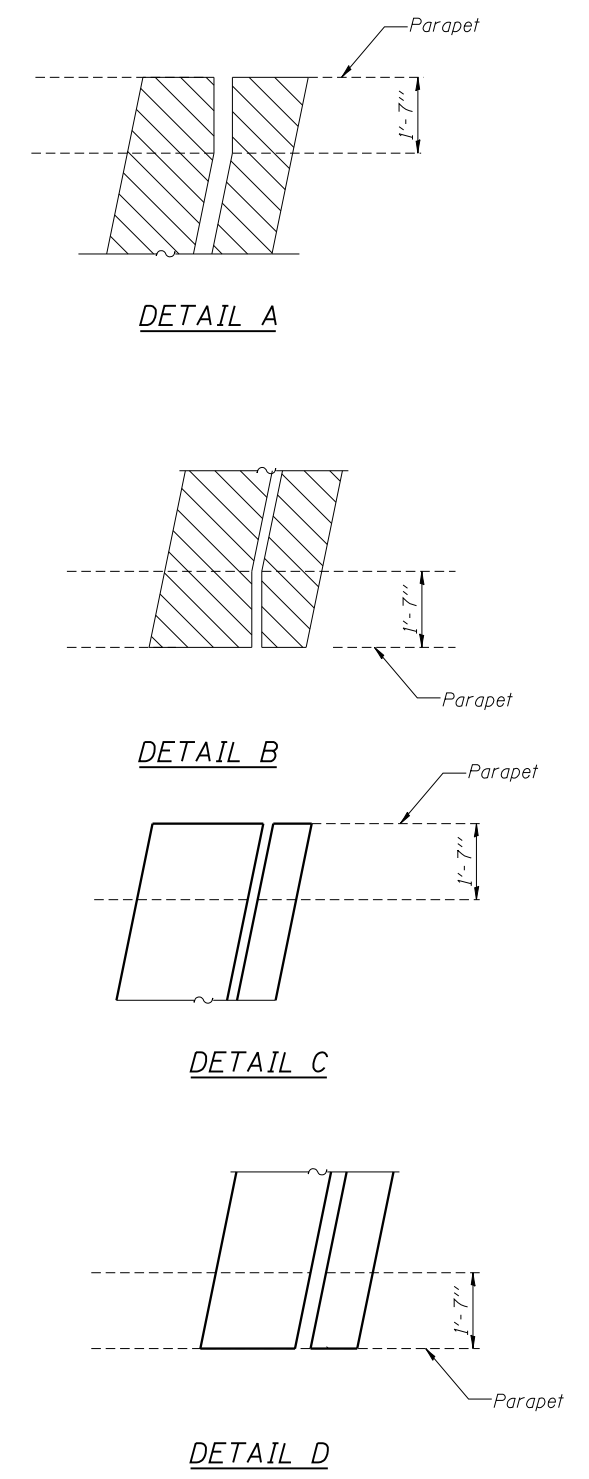
**NOTES:**

- Existing reinforcement extending into the removal area shall be cleaned, straightened and incorporated into the new construction. Any reinforcement bars that are damaged during concrete removal shall be replaced with an approved bar splicer or anchorage system. Cost shall be included with Concrete Removal.
- Trim existing reinforcement to accommodate proposed expansion joint.
- See sheet 8 for section A-A, B-B, C-C and D-D.

**BILL OF MATERIAL**

Item	Unit	Total
Concrete Removal	Cu. Yd.	5.5
Concrete Superstructure	Cu. Yd.	5.6
Protective Coat	Sq. Yd.	16.7

\*Applied on new concrete only.



**DETAIL A**

**DETAIL B**

**DETAIL C**

**DETAIL D**

**LEGEND**



USER NAME = sdgnann	DESIGNED - SDG	REVISED -
PLOT SCALE = #SCALE#	CHECKED - FAS	REVISED -
PLOT DATE = 5/22/2013	DRAWN - IK	REVISED -
	CHECKED - SDG	REVISED -

**STATE OF ILLINOIS  
DEPARTMENT OF TRANSPORTATION**

**NORTH ABUTMENT EXPANSION JOINT CONCRETE  
REMOVAL AND REPLACEMENT  
STRUCTURE NO. 060-0224 N.B.**

F.A.I. RTE.	SECTION	COUNTY	TOTAL SHEETS	SHEET NO.
255	60-(8,9) RS-1	MADISON	206	189
			CONTRACT NO. 76F10	
ILLINOIS FED. AID PROJECT				

SHEET NO. 6 OF 13 SHEETS