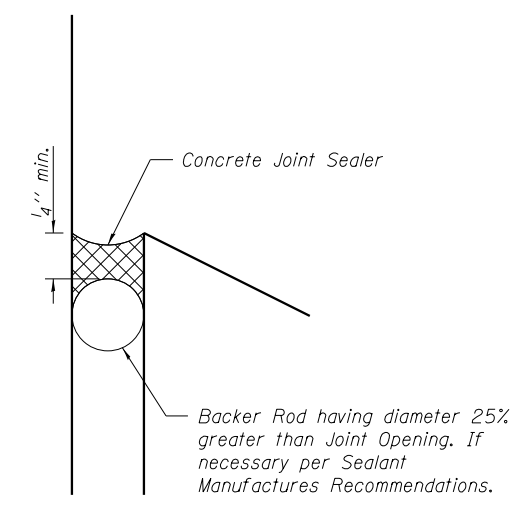


NORTH ABUTMENT PLAN



DETAIL A

* 50% of Joint Opening

BILL OF MATERIAL

Item	Unit	Total
Concrete Joint Sealer	Foot	77

3/25/2013 3:56:13 PM - G:\S\12\0001\Bridges\CAD\Sheets\Bridges_0224\0600224-76F10-13-North Conc. Joint Seal.dgn

FILE NAME = 0600224-76F10-13-North Conc. Joint Seal.dgn



USER NAME = gchowley	DESIGNED - SDG	REVISED -
	CHECKED - FAS	REVISED -
PLOT SCALE = 16x0 '1' / in.	DRAWN - IK	REVISED -
PLOT DATE = 3/25/2013	CHECKED - SDG	REVISED -

**STATE OF ILLINOIS
DEPARTMENT OF TRANSPORTATION**

**NORTH CONCRETE JOINT SEAL DETAIL
STRUCTURE NO. 060-0224**

SHEET NO. 13 OF 13 SHEETS

F.A.I. RTE.	SECTION	COUNTY	TOTAL SHEETS	SHEET NO.
255	60-(8,9) RS-1	MADISON	206	196
			CONTRACT NO. 76F10	
ILLINOIS FED. AID PROJECT				