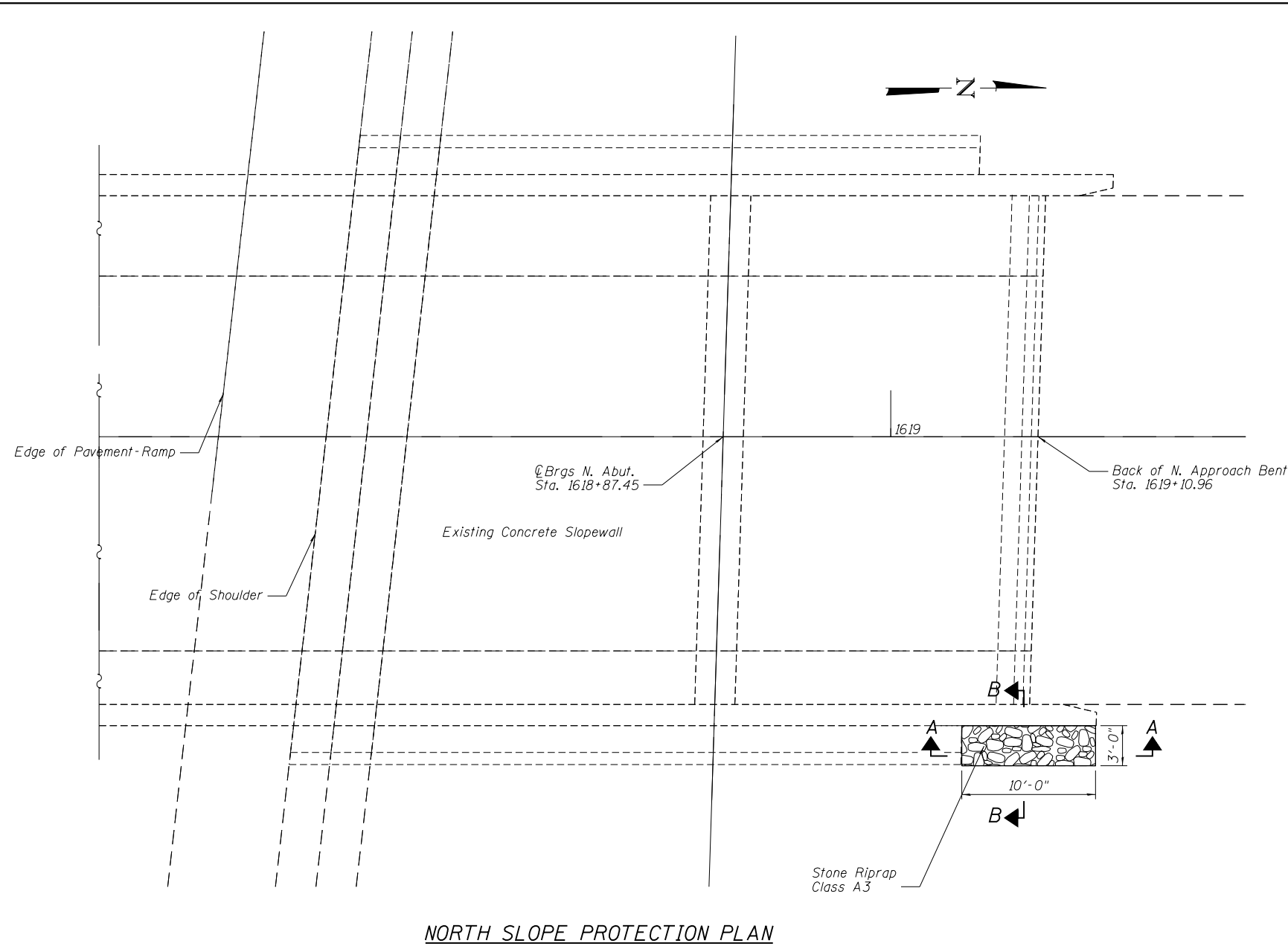
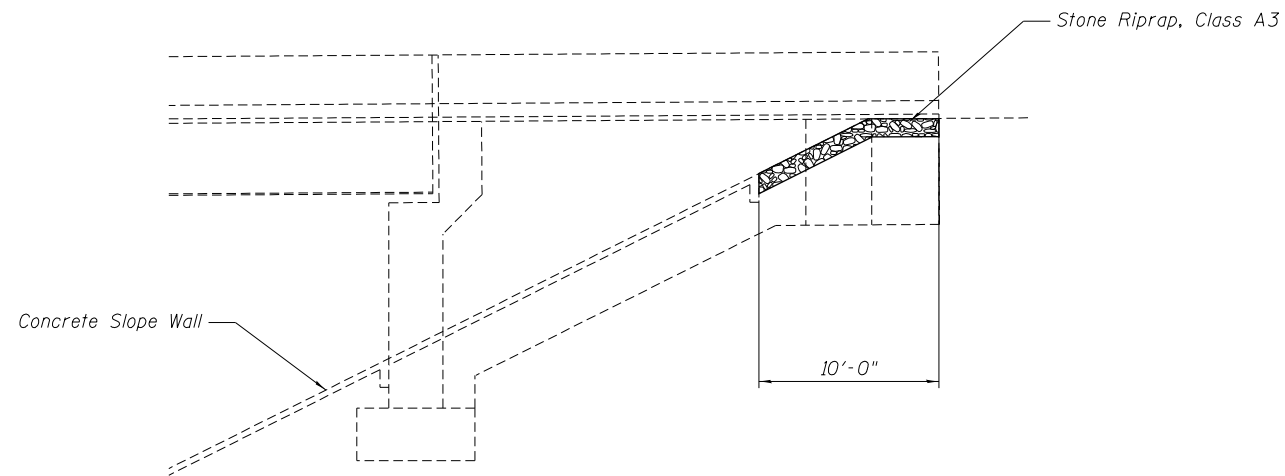


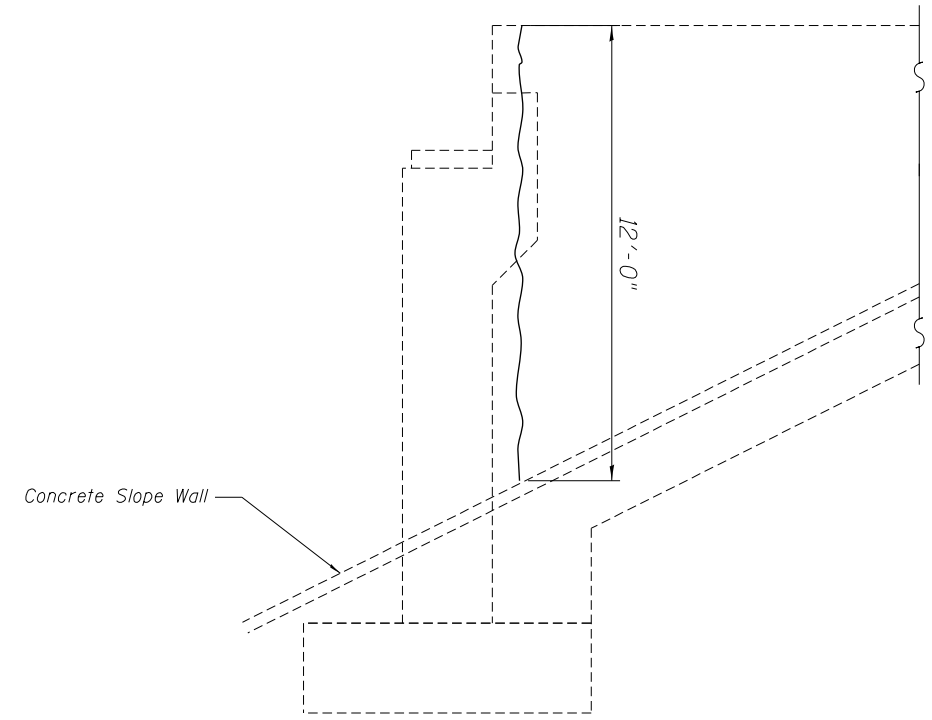
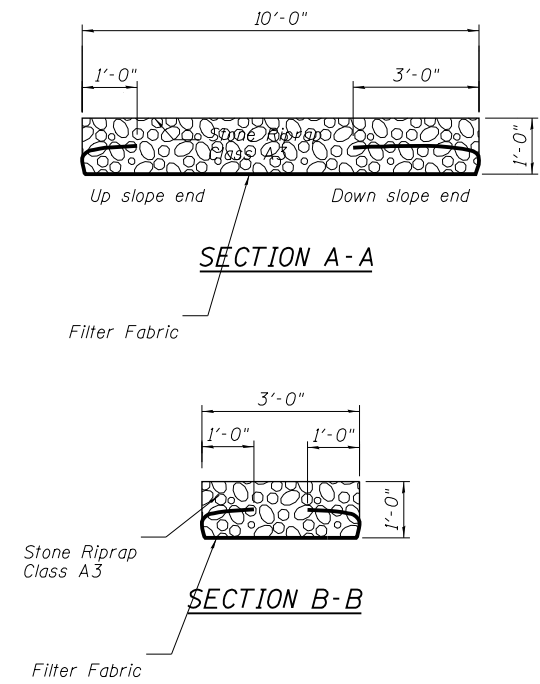
3/25/2013 4:02:26 PM - G:\S12\0001\Bridges\CAD\Drawings\060243-76F10-10-Slope and Abutment repairs.dgn



NORTH SLOPE PROTECTION PLAN



RIPRAP PLACEMENT ON NORTH SLOPE



SOUTH ABUTMENT - WEST WING WALL

BILL OF MATERIAL

Item	Unit	Total
Stone Riprap, Class A3	Sq. Yd.	4
Filter Fabric	Sq. Yd.	4
Epoxy Crack Injection	foot	12

FILE NAME = 060243-76F10-10-Slope and Abutment repairs.dgn

USER NAME = ghowley	DESIGNED - SDG	REVISED -
PLOT SCALE = 1/8" = 1' / in.	CHECKED - FAS	REVISED -
PLOT DATE = 3/25/2013	DRAWN - DMG	REVISED -
	CHECKED - SDG	REVISED -

**STATE OF ILLINOIS
DEPARTMENT OF TRANSPORTATION**

**SLOPE AND ABUTMENT REPAIRS
STRUCTURE NO. 060-243 SB**

SHEET NO. 10 OF 10 SHEETS

F.A.I. RTE.	SECTION	COUNTY	TOTAL SHEETS	SHEET NO.
255	60-(8,9) RS-1	MADISON	206	206
			CONTRACT NO. 76F10	
ILLINOIS FED. AID PROJECT				

