

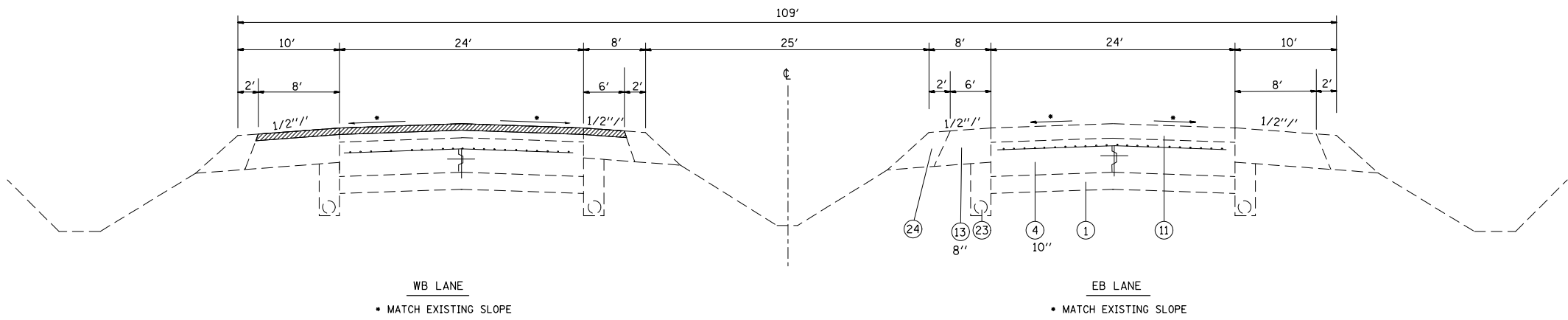
STA. 330+63.30 TO STA. 367+45

LEGEND

- ① EXISTING SUB-BASE GRANULAR MATERIAL, VARIES 4" TO 12"
- ② EXISTING BASE COURSE, 13.5"
- ③ EXISTING LIME MODIFIED SOIL, 12"
- ④ EXISTING PCC PAVEMENT
- ⑤ OMIT
- ⑥ EXISTING PCC JOINTED PAVEMENT, 14"
- ⑦ EXISTING PCC BASE COURSE WIDENING, 9"
- ⑧ EXISTING WIDENING
- ⑨ EXISTING HMA PAVEMENT (FULL DEPTH)
- ⑩ EXISTING HMA RESURFACING, 6" TO 7.5"
- ⑪ EXISTING HMA RESURFACING
- ⑫ EXISTING HMA BINDER COURSE, 12"
- ⑬ EXISTING HMA SHOULDER
- ⑭ EXISTING HMA SHOULDER RESURFACING, VAR. DEPTH
- ⑮ EXISTING CONCRETE MEDIAN
- ⑯ EXISTING CONCRETE CURB, SPECIAL, 12"
- ⑰ EXISTING CONCRETE CURB
- ⑱ EXISTING PCC MEDIAN SURFACE, 4"
- ⑲ EXISTING CONCRETE BARRIER
- ⑳ EXISTING HMA SHOULDER CURB
- ㉑ EXISTING CONCRETE GUTTER
- ㉒ EXISTING CONCRETE CURB & GUTTER
- ㉓ EXISTING PIPE UNDERDRAINS
- ㉔ EXISTING AGGREGATE SHOULDERS
- ㉕ PROPOSED POLYMER HMA SURFACE COURSE, MIX E, N90, 2 1/4"
- ㉖ PROPOSED HMA SHOULDERS, 2 1/4"
- ㉗ PROPOSED AGGREGATE SHOULDER WEDGE, TYPE B
- ㉘ PROPOSED HMA SHOULDER CURB

- HMA SHOULDER CURB REMOVAL
- HMA SURFACE REMOVAL, 2"
- HMA SURFACE REMOVAL, 2.25"

SEE PLAN SHEETS FOR AREAS OF MILLING TRANSITIONS.



STA. 367+45 TO STA. 377+58.81
 STA. 389+02.77 TO STA. 424+20
 STA. 479+00 TO STA. 490+96.92
 STA. 502+87.25 TO STA. 546+70.28
 STA. 558+73.30 TO STA. 566+34.03
 STA. 597+38.34 TO STA. 617+51.81

FILE NAME =	USER NAME = conoverpj	DESIGNED -	REVISED -	STATE OF ILLINOIS DEPARTMENT OF TRANSPORTATION	EXISTING TYPICAL SECTIONS			F.A.P. RTE.	SECTION	COUNTY	TOTAL SHEETS	SHEET NO.	
et:\pw\work\p\midot\conoverpj\d0340760\d076g38-sh-t-typt0a1.dgn		DRAWN -	REVISED -		SCALE:	SHEET NO. 8 OF 13 SHEETS	STA.	TO STA.	103	(29-1,28-1,28-2,26-1)RS-2	ST. CLAIR	97	14
		CHECKED -	REVISED -		CONTRACT NO. 76G38								
		DATE -	REVISED -		FED. ROAD DIST. NO. ILLINOIS FED. AID PROJECT								