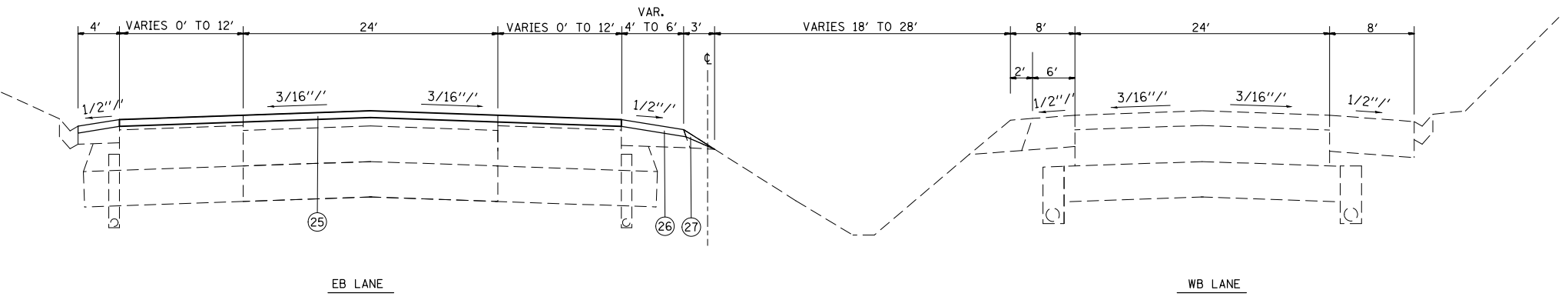
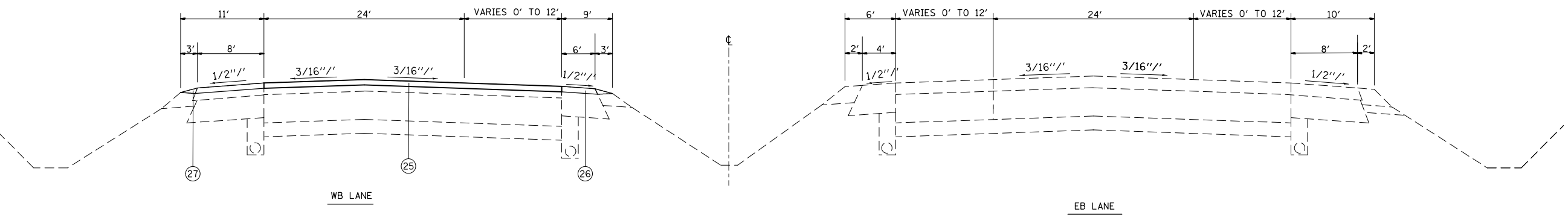


STA. 490+96.92 TO STA. 497+41.51
 SEE PLANS SHEETS FOR AREAS OF MILLING
 AND RESURFACING TRANSITIONS.



STA. 497+41.51 TO STA. 502+87.25



STA. 546+70.24 TO STA. 558+73.30
 STA. 566+34.03 TO STA. 597+38.34
 STA. 617+51.81 TO STA. 651+50

- LEGEND**
- ① EXISTING SUB-BASE GRANULAR MATERIAL, VARIES 4" TO 12"
 - ② EXISTING BASE COURSE, 13.5"
 - ③ EXISTING LIME MODIFIED SOIL, 12"
 - ④ EXISTING PCC PAVEMENT
 - ⑤ OMIT
 - ⑥ EXISTING PCC JOINTED PAVEMENT, 14"
 - ⑦ EXISTING PCC BASE COURSE WIDENING, 9"
 - ⑧ EXISTING WIDENING
 - ⑨ EXISTING HMA PAVEMENT (FULL DEPTH)
 - ⑩ EXISTING HMA RESURFACING, 6" TO 7.5"
 - ⑪ EXISTING HMA RESURFACING
 - ⑫ EXISTING HMA BINDER COURSE, 12"
 - ⑬ EXISTING HMA SHOULDER
 - ⑭ EXISTING HMA SHOULDER RESURFACING, VAR. DEPTH
 - ⑮ EXISTING CONCRETE MEDIAN
 - ⑯ EXISTING CONCRETE CURB, SPECIAL, 12"
 - ⑰ EXISTING CONCRETE CURB
 - ⑱ EXISTING PCC MEDIAN SURFACE, 4"
 - ⑲ EXISTING CONCRETE BARRIER
 - ⑳ EXISTING HMA SHOULDER CURB
 - ㉑ EXISTING CONCRETE GUTTER
 - ㉒ EXISTING CONCRETE CURB & GUTTER
 - ㉓ EXISTING PIPE UNDERDRAINS
 - ㉔ EXISTING AGGREGATE SHOULDERS
 - ㉕ PROPOSED POLYMER HMA SURFACE COURSE, MIX E, N90, 2 1/4"
 - ㉖ PROPOSED HMA SHOULDERS, 2 1/4"
 - ㉗ PROPOSED AGGREGATE SHOULDER WEDGE, TYPE B
 - ㉘ PROPOSED HMA SHOULDER CURB

FILE NAME =	USER NAME = conoverpj	DESIGNED -	REVISED -
et:\pw\work\p\dot\conoverpj\d0340760\d076g38-sh-typ10a1.dgn		DRAWN -	REVISED -
	PLOT SCALE = 100.0000' / 1"	CHECKED -	REVISED -
	PLOT DATE = 10/18/2013	DATE -	REVISED -

**STATE OF ILLINOIS
 DEPARTMENT OF TRANSPORTATION**

PROPOSED TYPICAL SECTIONS			
SCALE:	SHEET NO. 10 OF 13 SHEETS	STA.	TO STA.

F.A.P. RTE.	SECTION	COUNTY	TOTAL SHEETS	SHEET NO.
103	(29-1,28-1,28-2,26-1)RS-2	ST. CLAIR	97	29
CONTRACT NO. 76G38				
FED. ROAD DIST. NO. ILLINOIS FED. AID PROJECT				