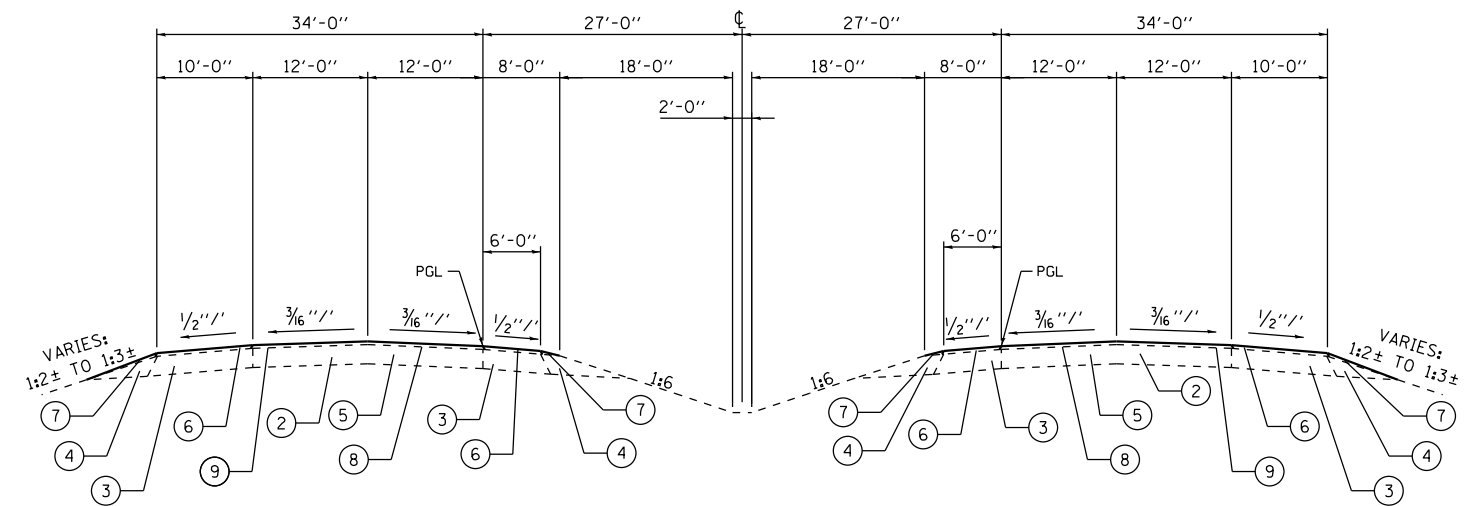


TYPICAL BRIDGE APPROACH SECTION

RT STA 1692+91.60 TO STA 1693+21.46
 LT STA 1785+24.87 TO STA 1785+54.76
 RT STA 1785+42.33 TO STA 1785+72.10
 LT STA 1789+81.19 TO STA 1790+10.99
 RT STA 1789+98.68 TO STA 1790+28.47



TYPICAL SECTION

RT STA 1693+21.46 TO STA 1695+16.60
 LT STA 1783+29.76 TO STA 1785+24.87
 RT STA 1783+47.10 TO STA 1785+42.33
 LT STA 1790+10.99 TO STA 1791+81.19
 RT STA 1790+28.47 TO STA 1792+23.68

- ① EXISTING PCC BRIDGE APPROACH PAVEMENT
- ② EXISTING BITUMINOUS PAVEMENT
- ③ EXISTING BITUMINOUS SHOULDER
- ④ EXISTING AGGREGATE SHOULDERS
- ⑤ POLYMERIZED HOT-MIX ASPHALT SURFACE COURSE, MIX "E", N90 (1 1/2" MIN.)
- ⑥ HOT-MIX ASPHALT SHOULDERS
- ⑦ AGGREGATE WEDGE SHOULDER, TYPE B (SEE SCHEDULE FOR LOCATIONS)
- ⑧ BITUMINOUS MATERIALS (PRIME COAT) AND AGGREGATE (PRIME COAT)
- ⑨ HMA/PCC SURFACE REMOVAL (SEE SCHEDULE FOR THICKNESS AND LOCATIONS)

FILE NAME =	USER NAME = k1aux	DESIGNED - L.D.G.	REVISED -
H:\6513 IDOT DB Var\6513.00 WO 8\IL 255	CADD Sheets\0876643-sh105-06-typical.dgn	CHECKED - B.G.H.	REVISED -
	PLOT SCALE = 20.0000 "/ in.	DRAWN - K.H.L.	REVISED -
	PLOT DATE = 10/29/2013	CHECKED - B.G.H.	REVISED -

**STATE OF ILLINOIS
 DEPARTMENT OF TRANSPORTATION**

TYPICAL SECTIONS

SHEET NO. 1 OF 2 SHEETS

FAP RTE	SECTION	COUNTY	TOTAL SHEETS	SHEET NO.
310	DIST 8 RESURF 2014-2	MADISON	15	5
ILLINOIS FED. AID PROJECT			CONTRACT NO. 76C43	