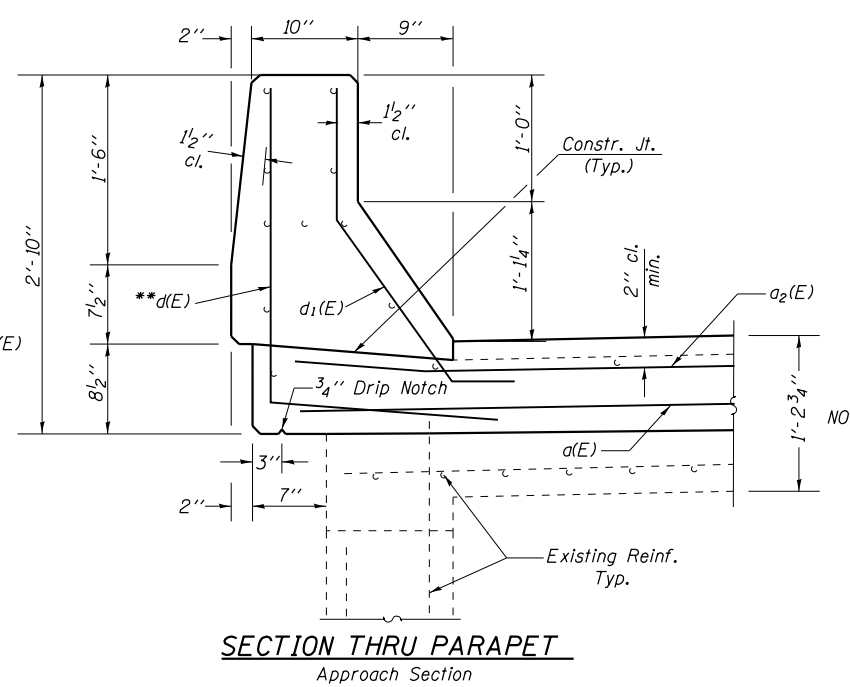
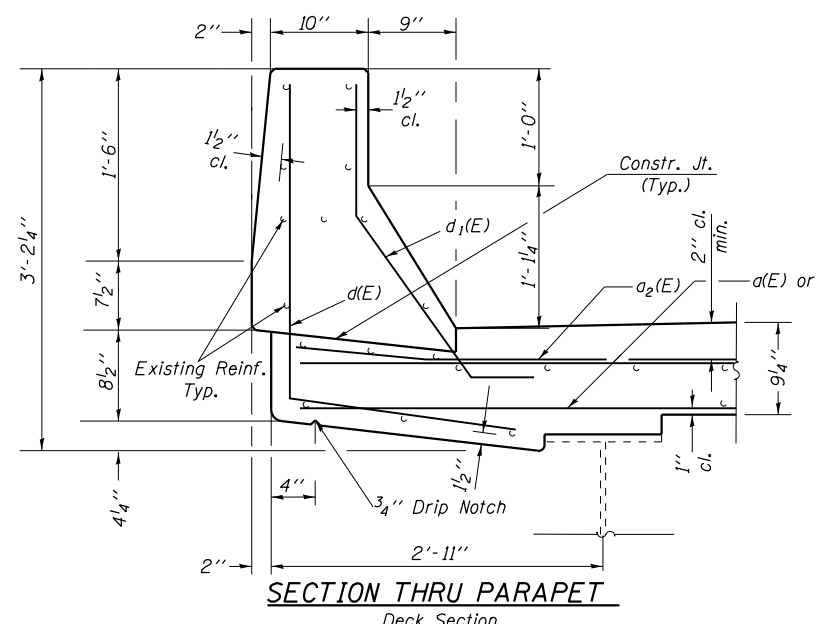
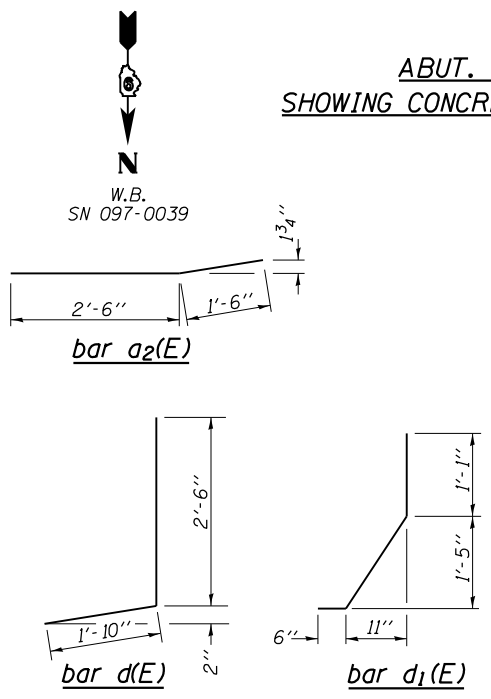


ABUT. PLAN
SHOWING CONCRETE REMOVAL

ABUT. PLAN
SHOWING NEW CONCRETE



BILL OF MATERIAL (2 ABUTMENTS)

Bar	No.	Size	Length	Shape
a(E)	22	#5	19'-0"	—
a1(E)	22	#5	22'-6"	—
a2(E)	24	#6	4'-0"	—
d(E)	24	#5	4'-4"	J
d1(E)	24	#5	3'-3"	J
Bar Splicers		Each	22	
Concrete Superstructure		Cu Yd	9.8	
Concrete Removal		Cu Yd	10.1	
Reinforcement Bars, Epoxy Coated		Pound	1290	

NOTE: Dimensions are based on a rolled rails strip seal joint. If the contractor elects to use welded rail strip seal joint. Deck dimensions may require adjustments to satisfy the details on base sheet EJ-SSJ.
* Intent is to match the existing.
** Bend Bars in field to fit.

**ABUTMENT JOINTS
REPLACEMENT DETAILS
SN 097-0039 (WB)
I-64 OVER LITTLE WABASH RIVER
WHITE COUNTY**