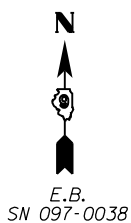


Concrete Removal



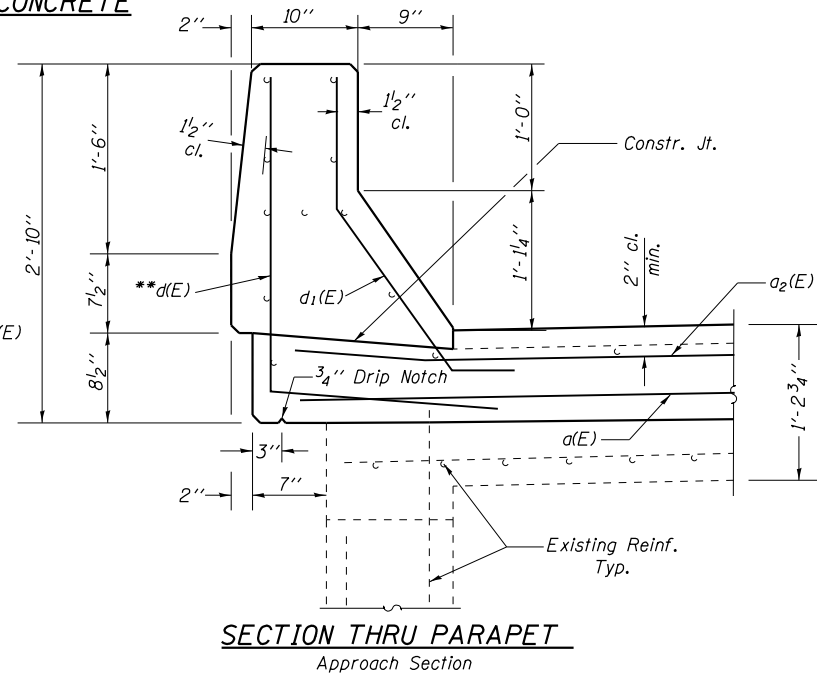
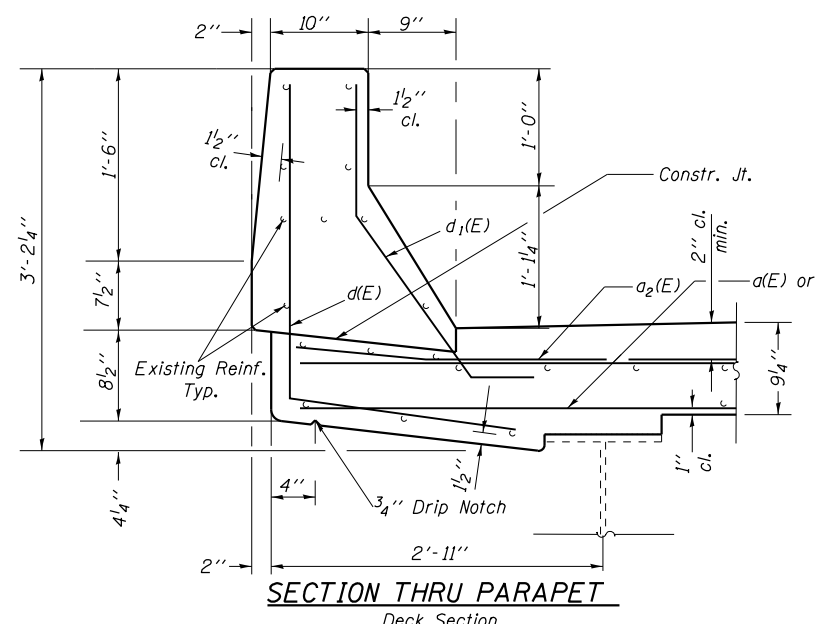
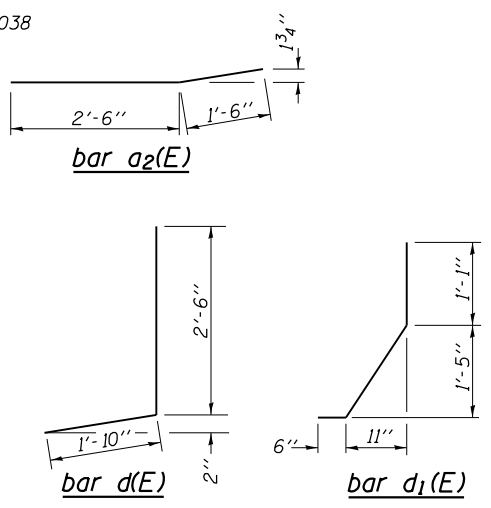
WEST ABUT. PLAN
SHOWING CONCRETE REMOVAL

WEST ABUT. PLAN
SHOWING NEW CONCRETE

BILL OF MATERIAL (1 ABUTMENT)

Bar	No.	Size	Length	Shape	
a(E)	15	#5	19'-0"	—	
a1(E)	15	#5	22'-6"	—	
a2(E)	16	#6	4'-0"	—	
d(E)	16	#5	4'-4"	J	
d1(E)	16	#5	3'-3"	J	
Bar Splicers				Each	15
Concrete Superstructure				Cu Yd	6.1
Concrete Removal				Cu Yd	6.2
Reinforcement Bars, Epoxy Coated				Pound	880

NOTE: Dimensions are based on a rolled rails strip seal joint. If the contractor elects to use welded rail strip seal joint, Deck dimensions may require adjustments to satisfy the details on base sheet EJ-SSJ. *Intent is to match the existing. ** Bend Bars in field to fit.



WEST ABUTMENT JOINT
REPLACEMENT DETAILS
SN 097-0038 (EB)
I-64 OVER LITTLE WABASH RIVER
WHITE COUNTY