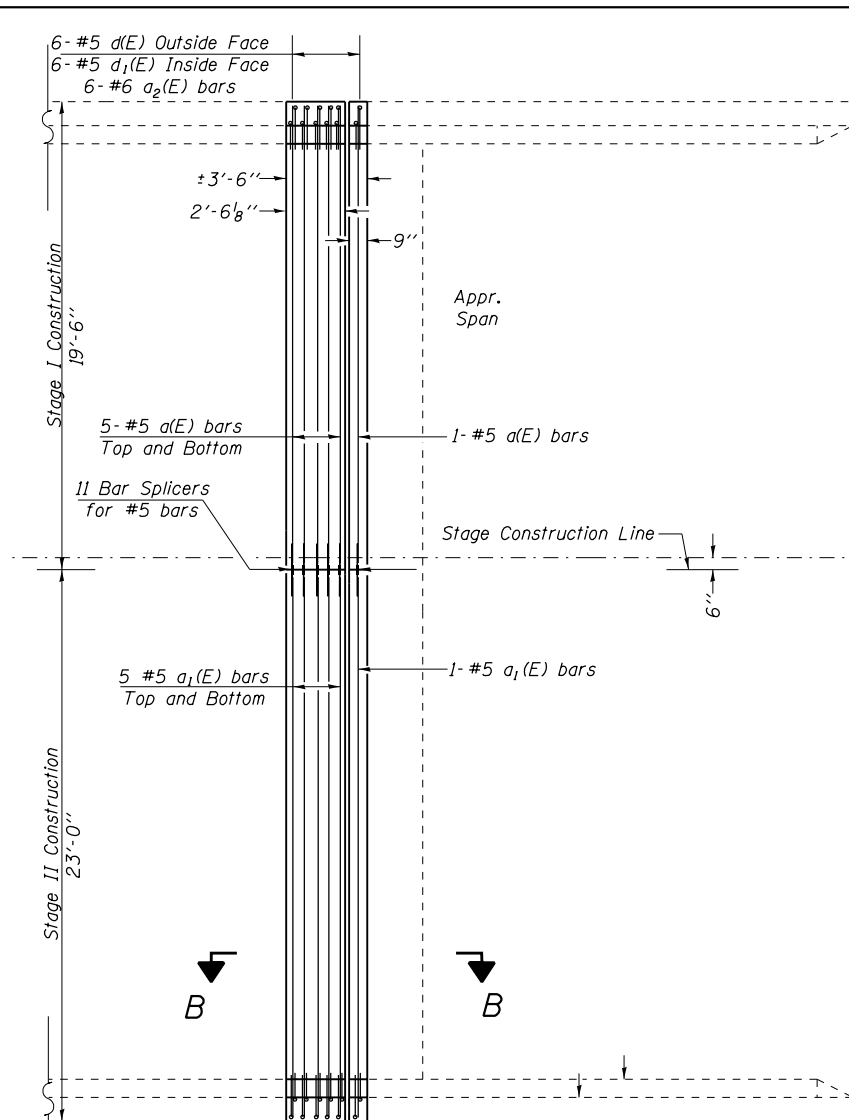
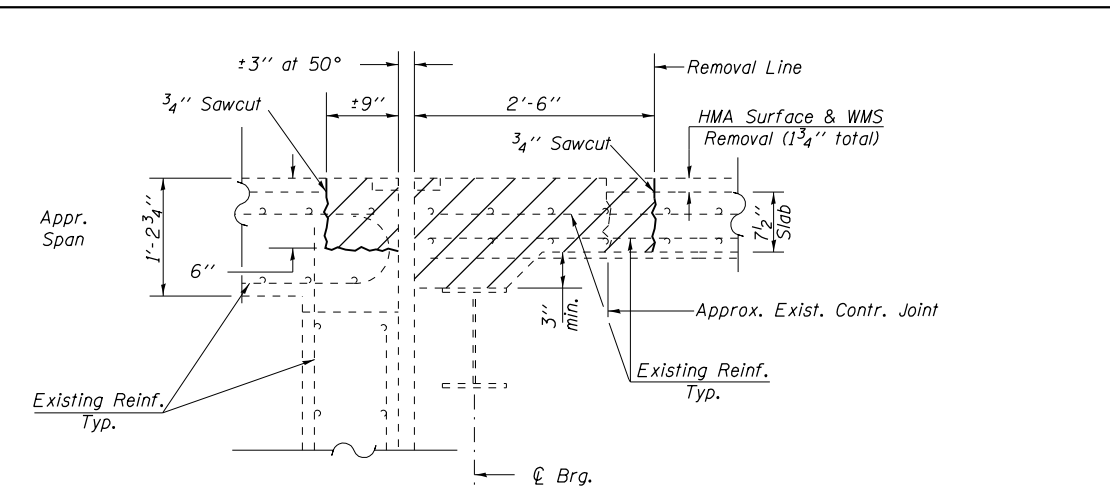


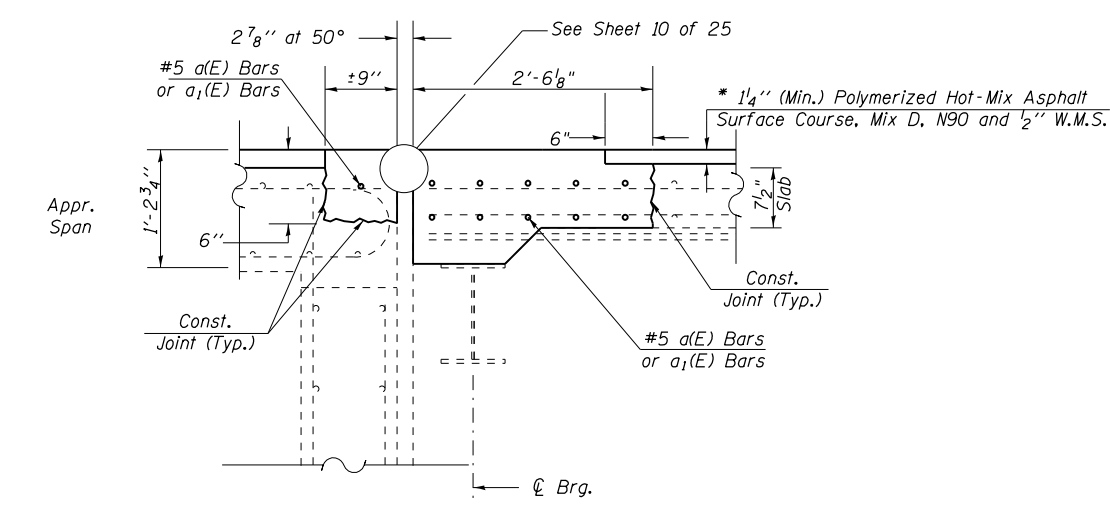
**EAST ABUT. PLAN
SHOWING CONCRETE REMOVAL**



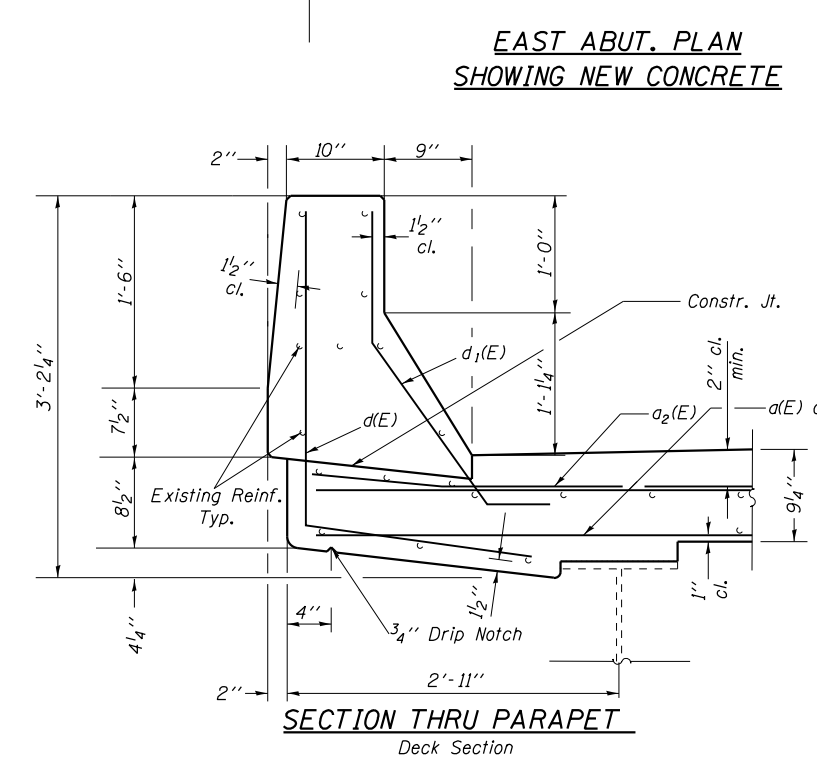
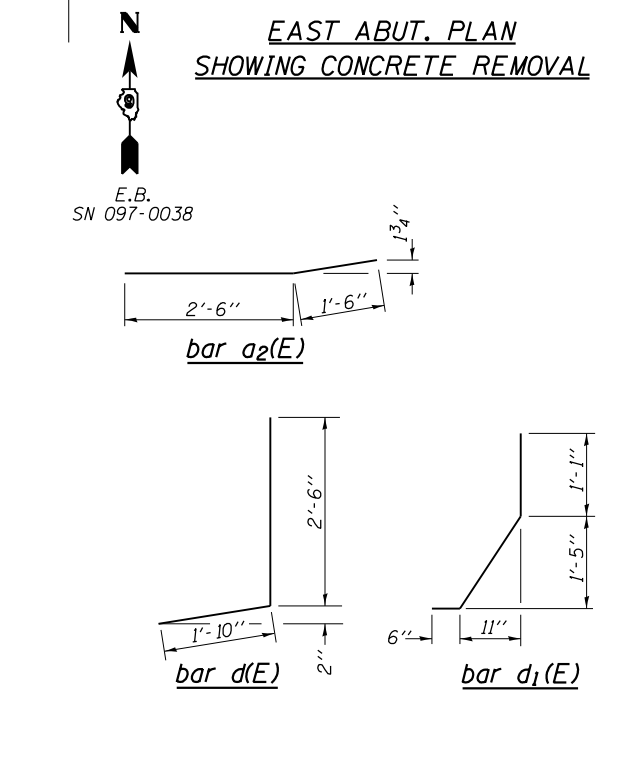
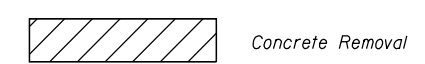
**EAST ABUT. PLAN
SHOWING NEW CONCRETE**



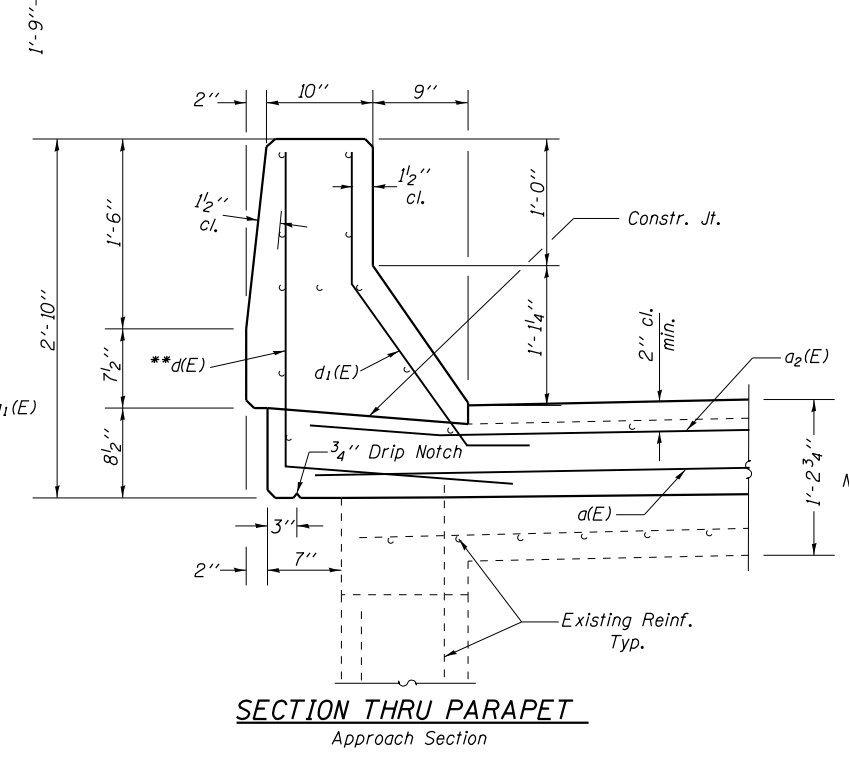
SECTION A-A



SECTION B-B



**SECTION THRU PARAPET
Deck Section**



**SECTION THRU PARAPET
Approach Section**

BILL OF MATERIAL (I ABUTMENT)

Bar	No.	Size	Length	Shape
a(E)	11	#5	19'-0"	—
a1(E)	11	#5	22'-6"	—
a2(E)	12	#6	4'-0"	—
d(E)	12	#5	4'-4"	J
d1(E)	12	#5	3'-3"	J
Bar Splicers		Each	11	
Concrete Superstructure		Cu Yd	4.9	
Concrete Removal		Cu Yd	5.0	
Reinforcement Bars, Epoxy Coated		Pound	650	

NOTE: Dimensions are based on a rolled rails strip seal joint. If the contractor elects to use welded rail strip seal joint. Deck dimensions may require adjustments to satisfy the details on base sheet EJ-SSJ.
* Intent is to match the existing.
** Bend Bars in field to fit.

**EAST ABUTMENT JOINT
REPLACEMENT DETAILS
SN 097-0038 (EB)
I-64 OVER LITTLE WABASH RIVER
WHITE COUNTY**

FILE NAME =	USER NAME = halsteadtw	DESIGNED -	REVISED -
ca:\pwwork\pwwid\halsteadtw\d0344460\st-p\p\p.dgn		DRAWN -	REVISED -
PLOT SCALE = 8.0000' / in.		CHECKED -	REVISED -
PLOT DATE = 10/7/2013		DATE -	REVISED -

**STATE OF ILLINOIS
DEPARTMENT OF TRANSPORTATION**

**ABUTMENT JOINT DETAILS
SN 097-0038 (EB)**
SCALE: SHEET 8 OF 25 SHEETS STA. TO STA.

F.A.I. RTE.	SECTION	COUNTY	TOTAL SHEETS	SHEET NO.
64	.	WHITE	54	34
CONTRACT NO. 78282				
ILLINOIS FED. AID PROJECT				

(97-2-1RS-1; BSMART 2012-1,2,3