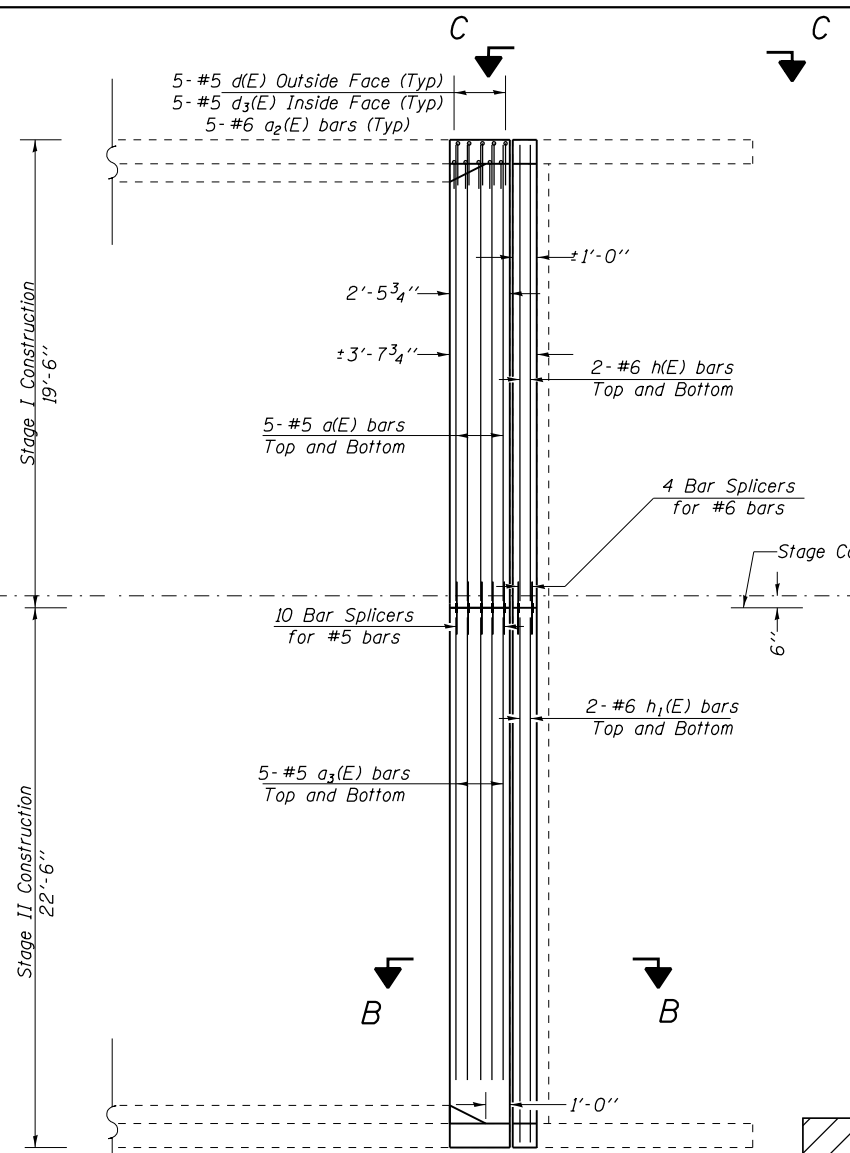
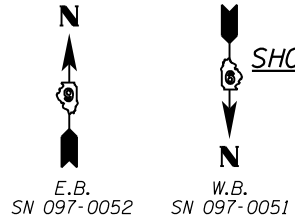
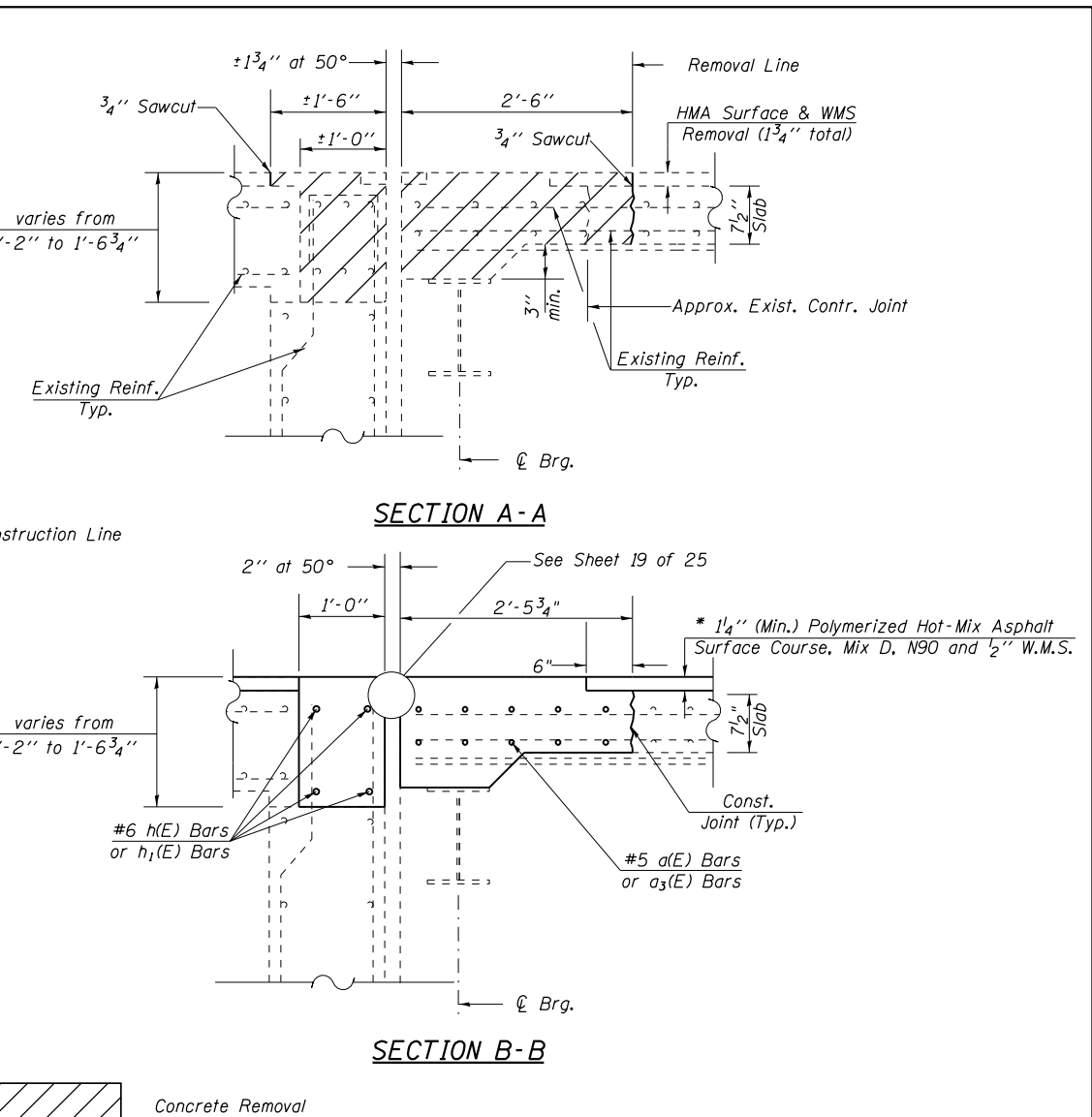


ABUT. PLAN
SHOWING CONCRETE REMOVAL

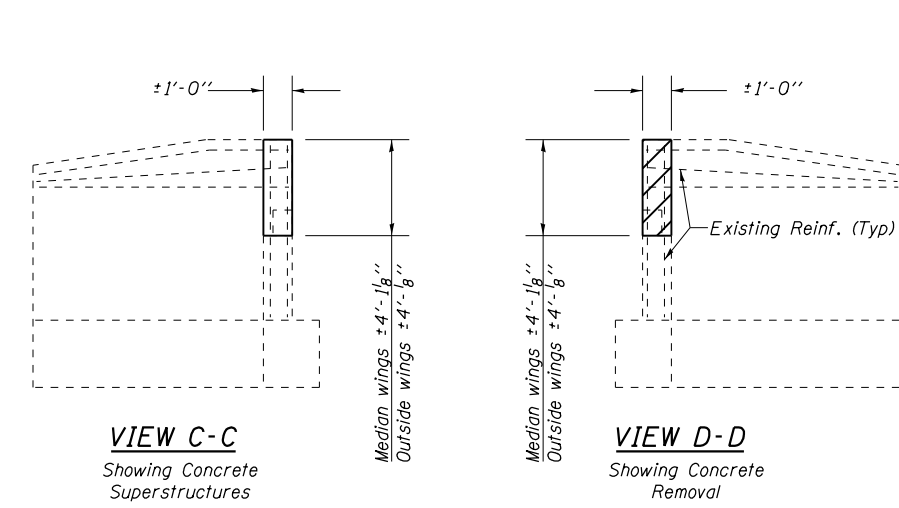


ABUT. PLAN
SHOWING NEW CONCRETE



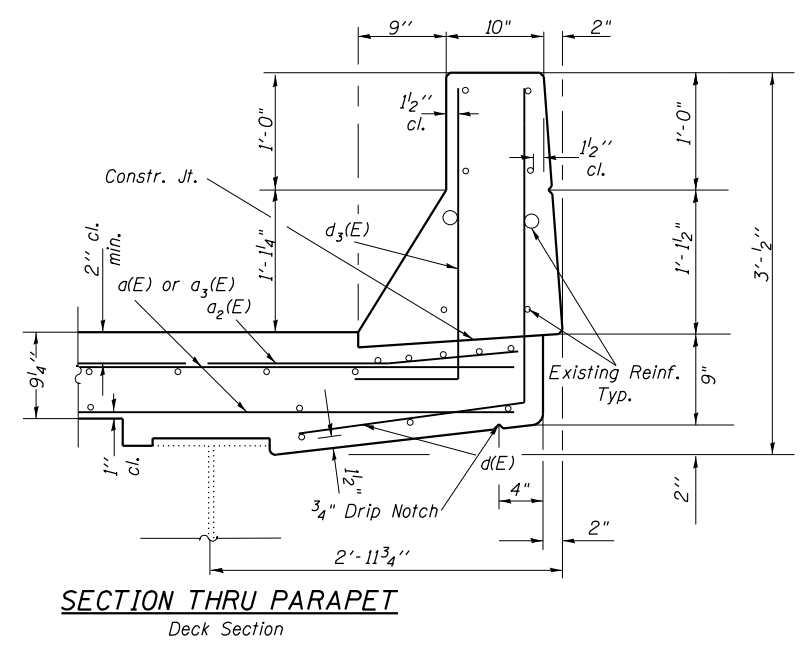
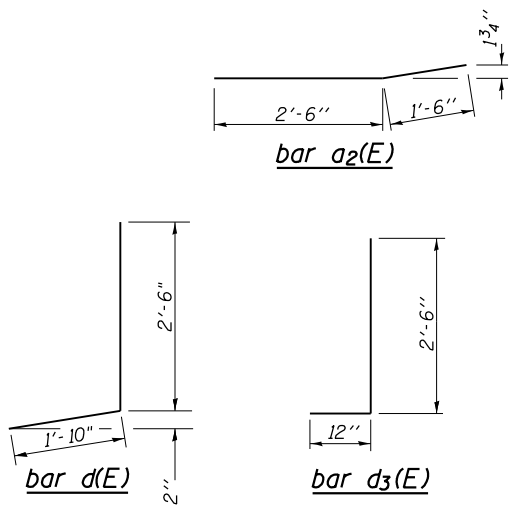
SECTION A-A

SECTION B-B



VIEW C-C
Showing Concrete Superstructures

VIEW D-D
Showing Concrete Removal



SECTION THRU PARAPET
Deck Section

BILL OF MATERIAL (4 ABUTMENTS)

Bar	No.	Size	Length	Shape
a(E)	40	#5	19'-0"	—
a2(E)	40	#6	4'-0"	—
a3(E)	40	#5	22'-0"	—
d(E)	40	#5	4'-4"	J
d3(E)	40	#5	3'-6"	J
h(E)	16	#6	19'-0"	—
h1(E)	16	#6	22'-0"	—
Bar Splicers			Each	56
Concrete Superstructure			Cu Yd	25.9
Concrete Removal			Cu Yd	26.3
Reinforcement Bars, Epoxy Coated			Pound	3270

NOTE: Dimensions are based on a rolled rails strip seal joint. If the contractor elects to use welded rail strip seal joint. Deck dimensions may require adjustments to satisfy the details on base sheet EJ-SSJ. *Intent is to match the existing.

ABUTMENT JOINTS
REPLACEMENT DETAILS
SN 097-0051 (WB) SN 097-0052 (EB)
I-64 OVER FRENCH CR.,
WHITE COUNTY